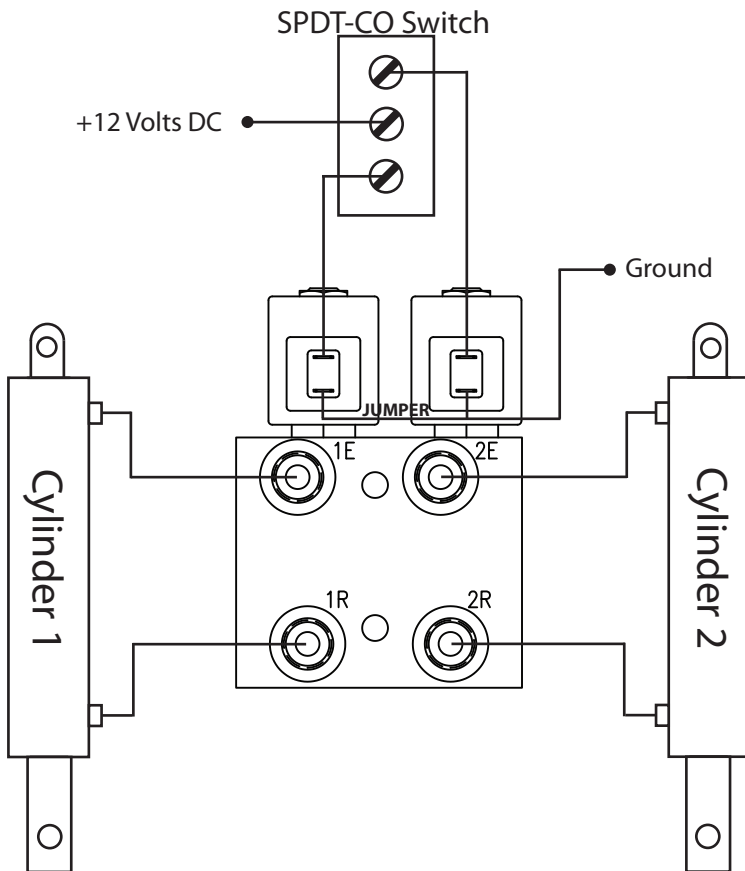


Connect VE to the extend port of the remote outlets on your tractor or to the work ports of a double acting valve, whichever applies.

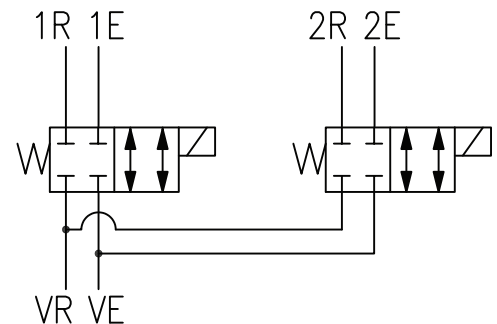
Connect VR to the retract port of the remote outlets on your tractor or to the work ports of a double acting valve, whichever applies.



A SPDT-CO (Single Pole Double Throw Center Off) switch can be used to switch the solenoids.

The first double acting circuit connects to ports 1E and 1R. The second double acting circuit connects to ports 2R and 2E.

Circuit Diagram



Open Center Circuits: Valve can only be used as a selector valve to make a single set of outlets act like two. Use a SPDT Center Off switch, and select the desired circuit. NOTE: Be sure to make your selection on this valve before moving your tractor lever. Otherwise, fluid will likely flow over the tractor's relief, as all ports on the selector are blocked in the 'OFF' position.

Closed Center Circuits: Valve can be used as a selector or as a circuit multiplier. Use two SPST (single pole single throw) switches, one for each solenoid. Switch on one solenoid or the other for circuit selection, or switch both on at the same time to split flow to the two circuits at once. Your closed center pump will compensate flow to both circuits.