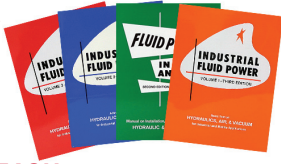


Hydraulic Study Courses



\$40.60 EACH

• Brand new. Published by WOMACK Educational Publications. These texts provide answers to your questions, not just theories of operation. Widely used to train employees and customers regarding basic hydraulic principles. **Shpg. 1½ lbs.**

ITEM 9-1124

INDUSTRIAL FLUID POWER - VOL. I

• Broad coverage of pumps, cylinders, valves and accessories. 288 pages. 350 illus.

ITEM 9-1125

INDUSTRIAL FLUID POWER - VOL. II

• Specific application data of air and hydraulic cylinders and valves used to control them. 272 pages. 350 illus.

ITEM 9-1126

INDUSTRIAL FLUID POWER - VOL. III

• Includes applications using hydraulic rotary power. Comprehensive coverage on hydraulic motors, air motors, hydraulic transmissions, and rotary actuators. 248 pages. 250 illus.

ITEM 9-1127

FLUID POWER IN PLANT AND FIELD

• General reference based on years of experience in hydraulic field. Provides practical information on installation, operation and servicing of hydraulic and pneumatic equipment. 232 pages. 350 illus.

Electrical Control of Fluid Power

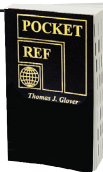


ITEM 9-1128

\$40.60

• Brand new. Published by Womack Educational Publications. Written as an overview of electric and electronic control of hydraulic and air systems. 257 pages. This is the Eleventh Printing of the Third Edition - April 2013. **Shpg. 2 lb.**

Pocket Reference



ITEM 1-1456

\$9.70

• Brand new. 768 pages packed full of information yet small enough to fit in a shirt pocket. Chapters on air and gas, carpentry, chemistry, computers, electricity, math, hardware, plumbing, steel and materials, surveying, welding and more. Hundreds of conversion formulas. Size 3¼" x 5⅜" x ¾". **Shpg. ¼ lb.**

Fluid Power Data Book



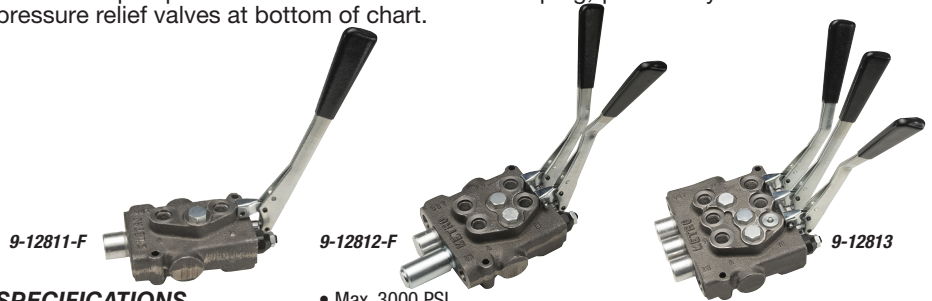
ITEM 9-1022

\$1.50

• Brand new. 63 pages of valuable information on hyd. cylinders, motors, pumps and systems. Formulas and tables for equipment selection. Also information on electric fans and motors. **Shpg. 6 oz.**

Metro D Series Compact Directional Control Valves

• Brand new Metro D Series compact directional control valves. Cast iron valve body, chrome plated spools. Tandem spool circuit allows any combination of spools to be used simultaneously. All spools are double acting cylinder type with work ports blocked in neutral position. Individual load checks on each spool. In/out ports on back side, work ports on top. Optional closed center conversion plug, power beyond sleeve and low pressure relief valves at bottom of chart.



SPECIFICATIONS

- Max. 3000 PSI
- Max. 6 GPM
- Spring centering (float spools have detent in float position)
- Adjustable relief valve 1500-3000 PSI factory set at 2000 PSI
- Ports SAE 6.

One Spool Valves	Style	Size	Shpg.	Price
9-12811	DA spring centered		5 lbs.	\$116.95
9-12811-F	DA spring centered with detented float	7½" x 3¼" x 2¼"	5 lbs.	\$161.20
Two Spool Valves				
9-12812	DA spring centered		9 lbs.	\$201.10
9-12812-F	DA spring centered with detented float	7½" x 4½" x 2¼"	9 lbs.	\$247.95
9-12812-J	DA spring centered with Joystick lever			\$415.60
Three Spool Valve				
9-12813	DA spring centered	6¼" x 5⅝" x 2¼"	11 lbs.	\$326.25
Accessories				
9-12811-PB	Power Beyond Sleeve		¼ lb.	\$20.10
9-12811-C	Closed Center Plug		¼ lb.	\$20.70
9-12811-R	500-2500 PSI Relief		½ lb.	\$21.95



1 Spool 21 GPM Hydraulic Control Valve
\$89.95

ITEM 9-12698

• New, Chief P80-CV1 valve is a versatile 3-way OR 4-way, 3 position directional control valve for use with either double-acting or single-acting cylinders. This valve is for use with open center systems only. Includes adapters to convert 4-way to 3-way valve. Not power beyond convertible.

SPECIFICATIONS

- Open Center
- Spools One
- Flow 21 GPM
- Pressure 2500 PSI max
- Relief Valve 2500 PSI @ 10 GPM
- In/Out Ports SAE 10
- Work Ports SAE 8
- Mount 3 hole base
- Size 10" x 5" x 10"
- **Shpg 11 lb.**



2 Spool 32 GPM Hydraulic Control Valve
\$199.95

ITEM 9-12699

• New, CHIEF directional control valve for operating double acting cylinders. Features include monoblock construction, built-in adjustable pressure relief valve, load check, spring centering spool action, open center, side or top inlet/outlet ports, top work ports and vertical or horizontal handle mounting.

SPECIFICATIONS

- Open Center
- Spools Two
- Flow 32 GPM max
- Pressure 3625 PSI max
- Relief Valve 2500 PSI @ 10 GPM
- In/Out Ports SAE 20 (side), SAE 16 (top)
- Work Ports SAE 16
- Mount 3 hole base
- Size 13" x 9" x 15¼"
- **Shpg 46 lb.**

Log Splitter Wedge

• New, cast iron log splitter wedge. Designed to slide down splitter beam as cylinder extends. Could also be mounted at end of beam to split wood as it is pushed against it. Clevis end to connect to cylinder rod. Additional hardware and plates needed to clamp around beam when used in traveling wedge mode.

ITEM 1-5444

\$19.95

SPECIFICATIONS

- Blade Height 6⅝"
- Blade Length 5½" long, 4½" wide at back end
- Pin Hole ⅝" dia.
- Clevis 1¼" between ears, 2½" outside ears
- Clevis Pin Centerline Height 3¼"
- Bolt Holes ⅞" ID x 1¼" deep
- Bolt Pattern three hole each side 2¼" on center x 7½" wide
- Beam Opening 6½" wide x ½" deep
- Size 7⅞" x 8¼" x 1¼"
- **Shpg. 22 lbs.**

