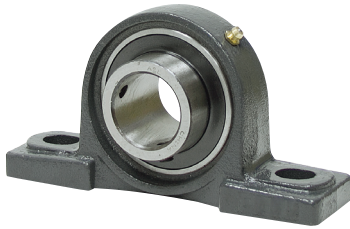
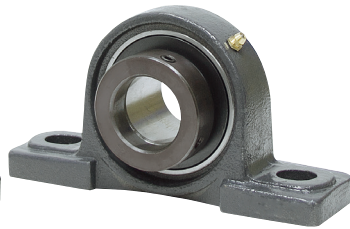


Pillow Block Bearings

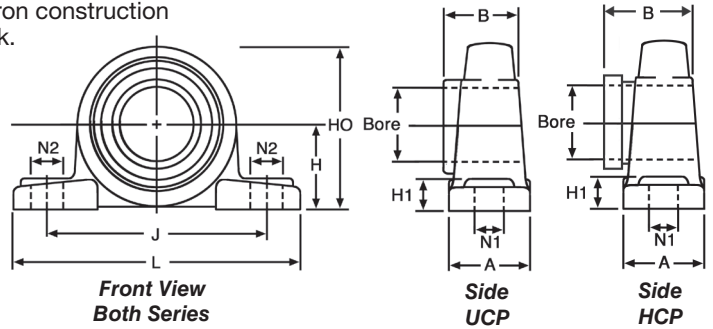
- Brand new 200 series normal duty pillow block bearings. Cast iron construction with self-aligning ball bearing insert and grease zerk.



UCP Series



HCP Series



Bore	UCP Series Two Set Screws, No Lock Collar		HCP Series Eccentric Locking Collar w/Set Screws		Shpg.	Dimensions										
	ITEM	Price	ITEM	Price		A	B	B	H	H1	HO	J	L	Bolt	N1	N2
1/2"	1-201-08-P	\$10.55	1-201-08-P-C	\$12.00	3	1.457	1.221	1.713	1.311	0.551	2.512	3.780	5.000	3/8	0.512	0.630
5/8"	1-202-10-P	\$10.55	1-202-10-P-C	\$12.00	3	1.457	1.221	1.713	1.311	0.551	2.512	3.780	5.000	3/8	0.512	0.630
3/4"	1-204-12-P	\$10.40	1-204-12-P-C	\$12.00	3	1.457	1.221	1.713	1.311	0.551	2.512	3.780	5.000	3/8	0.512	0.630
7/8"	1-205-14-P	\$11.55	1-205-14-P-C	\$12.45	3	1.496	1.339	1.744	1.437	0.591	2.736	4.134	5.512	3/8	0.512	0.748
15/16"	1-205-15-P	\$11.55	1-205-15-P-C	\$12.45	3	1.496	1.339	1.744	1.437	0.591	2.736	4.134	5.512	3/8	0.512	0.748
1"	1-205-16-P	\$11.55	1-205-16-P-C	\$12.45	3	1.496	1.339	1.744	1.437	0.591	2.736	4.134	5.512	3/8	0.512	0.748
1 1/8"	1-206-18-P	\$15.25	1-206-18-P-C	\$15.60	4	1.732	1.500	1.902	1.689	0.630	3.228	4.764	6.500	1/2	0.699	0.826
1 3/16"	1-206-19-P	\$15.25	1-206-19-P-C	\$15.60	4	1.732	1.500	1.902	1.689	0.630	3.228	4.764	6.500	1/2	0.669	0.826
1 1/4"	1-206-20-P	\$15.25	1-206-20-P-C	\$15.60	4	1.732	1.500	1.902	1.689	0.630	3.228	4.764	6.500	1/2	0.669	0.826
1 5/16"	1-207-21-P	\$16.20	1-207-21-P-C	\$18.35	5	1.890	1.689	2.012	1.874	0.669	3.622	4.961	6.575	1/2	0.669	0.826
1 3/8"	1-207-22-P	\$16.20	1-207-22-P-C	\$18.35	5	1.890	1.689	2.012	1.874	0.669	3.622	4.961	6.575	1/2	0.669	0.826
1 7/16"	1-207-23-P	\$16.20	1-207-23-P-C	\$18.35	5	1.890	1.689	2.012	1.874	0.669	3.622	4.961	6.575	1/2	0.669	0.826
1 1/2"	1-208-24-P	\$19.75	1-208-24-P-C	\$22.65	6	2.047	1.937	2.217	1.937	0.709	3.858	5.354	7.250	1/2	0.669	0.827
1 5/8"	1-209-26-P	\$23.25	1-209-26-P-C	\$25.90	7	2.126	1.938	2.217	2.126	0.787	4.154	5.748	7.469	1/2	0.669	0.827
1 11/16"	1-209-27-P	\$23.25	1-209-27-P-C	\$25.90	7	2.126	1.938	2.217	2.126	0.787	4.154	5.748	7.469	1/2	0.669	0.827
1 3/4"	1-209-28-P	\$23.25	1-209-28-P-C	\$25.90	7	2.126	1.938	2.217	2.126	0.787	4.154	5.748	7.469	1/2	0.669	0.827
1 7/8"	1-210-30-P	\$29.00	1-210-30-P-C	\$30.65	8	2.244	2.032	2.469	2.252	0.827	4.417	6.260	8.125	5/8	0.781	0.866
1 15/16"	1-210-31-P	\$29.00	1-210-31-P-C	\$30.65	8	2.244	2.032	2.469	2.252	0.827	4.417	6.260	8.125	5/8	0.781	0.866
2"	1-210-32-P	\$29.00	1-210-32-P-C	\$30.65	8	2.244	2.032	2.469	2.252	0.827	4.417	6.260	8.125	5/8	0.781	0.866
2"	1-211-32-P	\$35.75	1-211-32-P-C	\$38.40	10	2.362	2.189	2.807	2.500	0.866	4.902	6.772	8.625	5/8	0.781	0.866
2 1/8"	1-211-34-P	\$35.75	1-211-34-P-C	\$38.40	10	2.362	2.189	2.807	2.500	0.866	4.902	6.772	8.625	5/8	0.781	0.866
2 3/16"	1-211-35-P	\$35.75	1-211-35-P-C	\$38.40	10	2.362	2.189	2.807	2.500	0.866	4.902	6.772	8.625	5/8	0.781	0.866
2 1/4"	1-212-36-P	\$43.10	1-212-36-P-C	\$50.85	12	2.598	2.563	3.059	2.752	0.945	5.394	7.323	9.500	5/8	0.781	0.984
2 3/8"	1-212-38-P	\$43.10	1-212-38-P-C	\$50.85	12	2.598	2.563	3.059	2.752	0.945	5.394	7.323	9.500	5/8	0.781	0.984
2 7/16"	1-212-39-P	\$43.10	1-212-39-P-C	\$50.85	12	2.598	2.563	3.059	2.752	0.945	5.394	7.323	9.500	5/8	0.781	0.984
2 1/2"	1-213-40-P	\$55.80	1-213-40-P-C	\$62.50	16	2.756	2.563	3.374	3.000	1.024	5.866	7.992	10.437	3/4	1.000	1.188
2 3/4"	1-214-44-P	\$67.85	1-214-44-P-C	\$72.05	18	2.835	2.937	3.374	3.126	1.063	6.102	8.268	10.472	3/4	1.000	1.188
2 15/16"	1-215-47-P	\$77.50	1-215-47-P-C	\$83.50	19	2.913	3.063	3.626	3.252	1.102	6.362	8.543	10.813	3/4	1.000	1.188
3"	1-215-48-P	\$77.50	1-215-48-P-C	\$83.50	19	2.913	3.063	3.626	3.252	1.102	6.362	8.543	10.813	3/4	1.000	1.188

Replacement Insert Bearings

- Brand new, DURA-ROLL replacement bearings. UC bearings have 2 set screws for shaft retention, HC have eccentric locking collar. Order by housing and bore size.



1-UC205-16

1-HC205-16

Bore	Item	Price	Item	Price	Bore	Item	Price	Item	Price	Bore	Item	Price	Item	Price
1/2"	1-UC201-08	\$5.85	1-HC201-08	\$6.95	15/16"	1-UC207-21	\$9.70	1-HC207-21	\$12.05	2"	1-UC211-32	\$18.50	1-HC211-32	\$22.75
5/8"	1-UC202-10	\$5.85	1-HC202-10	\$6.95	13/8"	1-UC207-22	\$9.70	1-HC207-22	\$12.05	2 1/8"	1-UC211-34	\$18.50	1-HC211-34	\$22.75
3/4"	1-UC204-12	\$5.80	1-HC204-12	\$6.75	17/16"	1-UC207-23	\$9.70	1-HC207-23	\$12.05	2 3/16"	1-UC211-35	\$18.50	1-HC211-35	\$22.75
7/8"	1-UC205-14	\$6.20	1-HC205-14	\$7.30	1 1/2"	1-UC208-24	\$12.05	1-HC208-24	\$13.65	2 1/4"	1-UC212-36	\$24.70	1-HC212-36	\$29.80
15/16"	1-UC205-15	\$6.20	1-HC205-15	\$7.30	1 5/8"	1-UC209-26	\$12.90	1-HC209-26	\$15.30	2 3/8"	1-UC212-38	\$24.70	1-HC212-38	\$29.80
1"	1-UC205-16	\$6.20	1-HC205-16	\$7.30	1 11/16"	1-UC209-27	\$12.90	1-HC209-27	\$15.30	2 7/16"	1-UC212-39	\$24.70	1-HC212-39	\$29.80
1 1/8"	1-UC206-18	\$7.70	1-HC206-18	\$8.90	1 3/4"	1-UC209-28	\$12.90	1-HC209-28	\$15.30	2 1/2"	1-UC213-40	\$31.05	1-HC213-40	\$40.00
1 3/16"	1-UC206-19	\$7.70	1-HC206-19	\$8.90	1 7/8"	1-UC210-30	\$15.60	1-HC210-30	\$17.40	2 3/4"	1-UC214-44	\$38.25	1-HC214-44	\$47.00
1 1/4"	1-UC206-20	\$7.70	1-HC206-20	\$8.90	1 15/16"	1-UC210-31	\$15.60	1-HC210-31	\$17.40	2 15/16"	1-UC215-47	\$45.95	1-HC215-47	\$56.80
1 1/4"	1-UC207-20	\$9.70	1-HC207-20	\$12.05	2"	1-UC210-32	\$15.60	1-HC210-32	\$17.40	3"	1-UC215-48	\$45.95	1-HC215-48	\$56.80