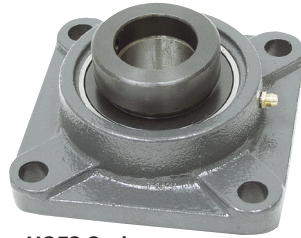


4 Bolt Flange Bearings

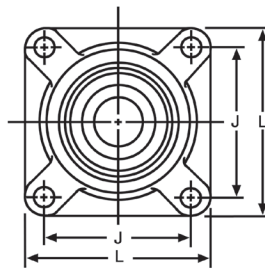
• Brand new 200 series normal duty flange bearings. Cast iron construction with self-aligning ball bearing insert and grease zerk.



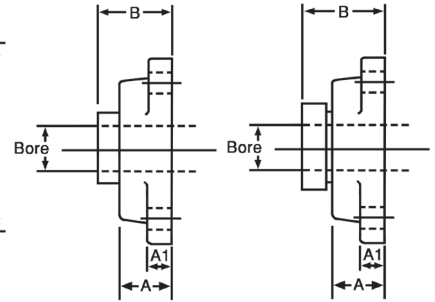
UCF Series



HCFS Series



Front View  
Both Series



Side UCF

Side HCFS

UCF Series Two Set Screws, No Lock Collar										HCFS Series Eccentric Locking Collar w/Set Screws									
Bore	ITEM	Shpg.	Price	Dimensions						Bolt	ITEM	Shpg.	Price	Dimensions					
				A	A1	B	J	L	A					A1	B	J	L	Bolt	
1/2"	1-201-08-4	3	\$11.05	1.004	0.433	1.311	2.520	3.386	3/8	1-201-08-4-C	3	\$11.80	1.161	0.591	1.791	2.500	3.386	3/8	
5/8"	1-202-10-4	3	\$11.05	1.004	0.433	1.311	2.520	3.386	3/8	1-202-10-4-C	3	\$11.80	1.161	0.591	1.791	2.500	3.386	3/8	
3/4"	1-204-12-4	3	\$10.60	1.004	0.433	1.311	2.520	3.386	3/8	1-204-12-4-C	3	\$11.80	1.161	0.591	1.791	2.500	3.386	3/8	
7/8"	1-205-14-4	4	\$12.10	1.063	0.512	1.406	2.756	3.740	3/8	1-205-14-4-C	4	\$13.40	1.181	0.591	1.807	2.756	3.661	3/8	
1 5/16"	1-205-15-4	4	\$12.10	1.063	0.512	1.406	2.756	3.740	3/8	1-205-15-4-C	4	\$13.40	1.181	0.591	1.807	2.756	3.661	3/8	
1"	1-205-16-4	4	\$12.10	1.063	0.512	1.406	2.756	3.740	7/16	1-205-16-4-C	4	\$13.40	1.181	0.591	1.807	2.756	3.661	3/8	
1 1/8"	1-206-18-4	4	\$15.10	1.221	0.512	1.583	3.268	4.252	7/16	1-206-18-4-C	4	\$17.00	1.280	0.630	1.972	3.248	4.173	7/16	
1 3/16"	1-206-19-4	4	\$15.10	1.221	0.512	1.583	3.268	4.252	7/16	1-206-19-4-C	4	\$17.00	1.280	0.630	1.972	3.248	4.173	7/16	
1 1/4"	1-206-20-4	4	\$15.10	1.221	0.512	1.583	3.268	4.252	7/16	1-206-20-4-C	4	\$17.00	1.280	0.630	1.972	3.248	4.173	7/16	
1 1/4"	1-207-20-4	5	\$16.55	1.339	0.591	1.748	3.622	4.606	7/16	1-207-20-4-C	5	\$19.65	1.378	0.669	2.098	3.622	4.567	7/16	
1 5/16"	1-207-21-4	5	\$16.55	1.339	0.591	1.748	3.622	4.606	7/16	1-207-21-4-C	5	\$19.65	1.378	0.669	2.098	3.622	4.567	7/16	
1 3/8"	1-207-22-4	5	\$16.55	1.339	0.591	1.748	3.622	4.606	7/16	1-207-22-4-C	5	\$19.65	1.378	0.669	2.098	3.622	4.567	7/16	
1 7/16"	1-207-23-4	5	\$16.55	1.339	0.591	1.748	3.622	4.606	7/16	1-207-23-4-C	5	\$19.65	1.378	0.669	2.098	3.622	4.567	7/16	
1 1/2"	1-208-24-4	6	\$19.90	1.417	0.591	2.016	4.016	5.118	1/2	1-208-24-4-C	6	\$23.15	1.535	0.669	2.319	3.996	5.079	1/2	
1 5/8"	1-209-26-4	7	\$24.25	1.496	0.630	2.055	4.134	5.394	9/16	1-209-26-4-C	7	\$27.40	1.575	0.709	2.319	4.134	5.315	9/16	
1 11/16"	1-209-27-4	7	\$24.25	1.496	0.630	2.055	4.134	5.394	9/16	1-209-27-4-C	7	\$27.40	1.575	0.709	2.319	4.134	5.315	9/16	
1 3/4"	1-209-28-4	7	\$24.25	1.496	0.630	2.055	4.134	5.394	9/16	1-209-28-4-C	7	\$27.40	1.575	0.709	2.319	4.134	5.315	9/16	
1 7/8"	1-210-30-4	7	\$30.55	1.575	0.630	2.150	4.370	5.630	9/16	1-210-30-4-C	8	\$33.35	1.772	0.787	2.602	4.370	5.630	9/16	
1 5/8"	1-210-31-4	7	\$30.55	1.575	0.630	2.150	4.370	5.630	9/16	1-210-31-4-C	8	\$33.35	1.772	0.787	2.602	4.370	5.630	9/16	
2"	1-210-32-4	7	\$30.55	1.575	0.630	2.150	4.370	5.630	9/16	1-210-32-4-C	8	\$33.35	1.772	0.787	2.602	4.370	5.630	9/16	
2"	1-211-32-4	9	\$36.50	1.693	0.709	2.299	5.118	6.378	5/8	1-211-32-4-C	10	\$41.80	1.929	0.827	2.937	5.118	6.378	5/8	
2 1/8"	1-211-34-4	9	\$36.50	1.693	0.709	2.299	5.118	6.378	5/8	1-211-34-4-C	10	\$41.80	1.929	0.827	2.937	5.118	6.378	5/8	
2 3/16"	1-211-35-4	9	\$36.50	1.693	0.709	2.299	5.118	6.378	5/8	1-211-35-4-C	10	\$41.80	1.929	0.827	2.937	5.118	6.378	5/8	
2 1/4"	1-212-36-4	11	\$44.20	1.890	0.709	2.705	5.630	6.890	5/8	1-212-36-4-C	12	\$51.95	2.106	0.866	3.181	5.630	6.890	5/8	
2 3/8"	1-212-38-4	11	\$44.20	1.890	0.709	2.705	5.630	6.890	5/8	1-212-38-4-C	12	\$51.95	2.106	0.866	3.181	5.630	6.890	5/8	
2 7/16"	1-212-39-4	11	\$44.20	1.890	0.709	2.705	5.630	6.890	5/8	1-212-39-4-C	12	\$51.95	2.106	0.866	3.181	5.630	6.890	5/8	
2 1/2"	1-213-40-4	13	\$58.25	1.969	0.866	2.744	5.866	7.362	5/8	1-213-40-4-C	15	\$66.00	2.284	0.866	3.528	5.866	7.244	5/8	
2 3/4"	1-214-44-4	15	\$67.75	2.126	0.866	2.969	5.984	7.598	1 1/16	1-214-44-4-C	16	\$75.80	2.362	0.906	3.528	5.984	7.402	5/8	
2 5/8"	1-215-47-4	17	\$82.85	2.205	0.866	3.091	6.260	7.874	1 1/16	1-215-47-4-C	18	\$90.55	2.441	0.945	3.772	6.000	7.874	5/8	
3"	1-215-48-4	17	\$82.85	2.205	0.866	3.091	6.260	7.874	1 1/16	1-215-48-4-C	18	\$90.55	2.441	0.945	3.772	6.000	7.874	5/8	

Stainless Steel Mounted Bearings

• Brand new, better rust and corrosion resistance than regular cast iron models. Use in washdown or chemical fertilizer applications. Refer to the charts on pages 103-105 for dimensional information. Special features include 304 Stainless Steel housing, 440C Stainless Steel Bearing, Stainless Steel grease zerk and finger seal. Mobil FN222 food grade grease. Available in pillow block, 2 bolt and 4 bolt flange configurations.



Pillow Block Bearings				2 Bolt Flange Bearings				4 Bolt Flange Bearings			
ITEM #	Bore	Shpg	Price	ITEM #	Bore	Shpg	Price	ITEM #	Bore	Shpg	Price
1-204-12-P-SS	3/4"	2	\$35.80	1-204-12-2-SS	3/4"	1.5	\$34.65	1-204-12-4-SS	3/4"	2	\$34.65
1-205-16-P-SS	1"	2	\$43.20	1-205-16-2-SS	1"	2	\$36.75	1-205-16-4-SS	1"	2	\$38.90
1-206-20-P-SS	1 1/4"	3	\$62.85	1-206-20-2-SS	1 1/4"	2	\$57.75	1-206-20-4-SS	1 1/4"	3	\$57.75
1-207-20-P-SS	1 1/4"	4	\$85.05	1-207-20-2-SS	1 1/4"	3	\$78.75	1-207-20-4-SS	1 1/4"	4	\$78.75
1-207-22-P-SS	1 3/8"	4	\$85.05	1-207-22-2-SS	1 3/8"	3	\$78.75	1-207-22-4-SS	1 3/8"	4	\$78.75
1-207-23-P-SS	1 7/16"	4	\$85.05	1-207-23-2-SS	1 7/16"	3	\$78.75	1-207-23-4-SS	1 7/16"	4	\$78.75
1-208-24-P-SS	1 1/2"	5	\$105.40	1-208-24-2-SS	1 1/2"	4	\$105.40	1-208-24-4-SS	1 1/2"	5	\$105.40