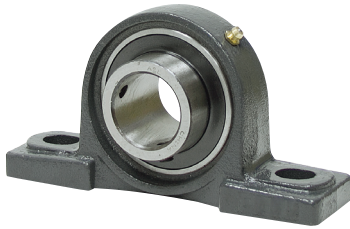
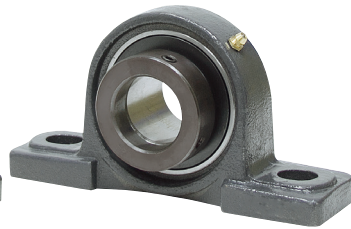


Pillow Block Bearings

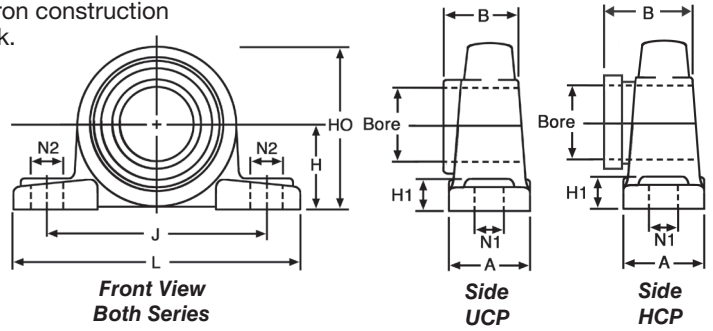
- Brand new 200 series normal duty pillow block bearings. Cast iron construction with self-aligning ball bearing insert and grease zerk.



UCP Series



HCP Series



Bore	UCP Series Two Set Screws, No Lock Collar		HCP Series Eccentric Locking Collar w/Set Screws		Shpg.	Dimensions										
	ITEM	Price	ITEM	Price		A	B	B	H	H1	HO	J	L	Bolt	N1	N2
1/2"	1-201-08-P	\$11.60	1-201-08-P-C	\$13.20	3	1.457	1.221	1.713	1.311	0.551	2.512	3.780	5.000	3/8	0.512	0.630
5/8"	1-202-10-P	\$11.60	1-202-10-P-C	\$13.20	3	1.457	1.221	1.713	1.311	0.551	2.512	3.780	5.000	3/8	0.512	0.630
3/4"	1-204-12-P	\$11.45	1-204-12-P-C	\$13.20	3	1.457	1.221	1.713	1.311	0.551	2.512	3.780	5.000	3/8	0.512	0.630
7/8"	1-205-14-P	\$12.75	1-205-14-P-C	\$13.70	3	1.496	1.339	1.744	1.437	0.591	2.736	4.134	5.512	3/8	0.512	0.748
15/16"	1-205-15-P	\$12.75	1-205-15-P-C	\$13.70	3	1.496	1.339	1.744	1.437	0.591	2.736	4.134	5.512	3/8	0.512	0.748
1"	1-205-16-P	\$12.75	1-205-16-P-C	\$13.70	3	1.496	1.339	1.744	1.437	0.591	2.736	4.134	5.512	3/8	0.512	0.748
1 1/8"	1-206-18-P	\$16.80	1-206-18-P-C	\$17.20	4	1.732	1.500	1.902	1.689	0.630	3.228	4.764	6.500	1/2	0.699	0.826
1 3/16"	1-206-19-P	\$16.80	1-206-19-P-C	\$17.20	4	1.732	1.500	1.902	1.689	0.630	3.228	4.764	6.500	1/2	0.669	0.826
1 1/4"	1-206-20-P	\$16.80	1-206-20-P-C	\$17.20	4	1.732	1.500	1.902	1.689	0.630	3.228	4.764	6.500	1/2	0.669	0.826
1 5/16"	1-207-21-P	\$17.85	1-207-21-P-C	\$20.20	5	1.890	1.689	2.012	1.874	0.669	3.622	4.961	6.575	1/2	0.669	0.826
1 3/8"	1-207-22-P	\$17.85	1-207-22-P-C	\$20.20	5	1.890	1.689	2.012	1.874	0.669	3.622	4.961	6.575	1/2	0.669	0.826
1 7/16"	1-207-23-P	\$17.85	1-207-23-P-C	\$20.20	5	1.890	1.689	2.012	1.874	0.669	3.622	4.961	6.575	1/2	0.669	0.826
1 1/2"	1-208-24-P	\$21.75	1-208-24-P-C	\$24.90	6	2.047	1.937	2.217	1.937	0.709	3.858	5.354	7.250	1/2	0.669	0.827
1 5/8"	1-209-26-P	\$25.60	1-209-26-P-C	\$28.50	7	2.126	1.938	2.217	2.126	0.787	4.154	5.748	7.469	1/2	0.669	0.827
1 11/16"	1-209-27-P	\$25.60	1-209-27-P-C	\$28.50	7	2.126	1.938	2.217	2.126	0.787	4.154	5.748	7.469	1/2	0.669	0.827
1 3/4"	1-209-28-P	\$25.60	1-209-28-P-C	\$28.50	7	2.126	1.938	2.217	2.126	0.787	4.154	5.748	7.469	1/2	0.669	0.827
1 7/8"	1-210-30-P	\$31.95	1-210-30-P-C	\$33.75	8	2.244	2.032	2.469	2.252	0.827	4.417	6.260	8.125	5/8	0.781	0.866
1 15/16"	1-210-31-P	\$31.95	1-210-31-P-C	\$33.75	8	2.244	2.032	2.469	2.252	0.827	4.417	6.260	8.125	5/8	0.781	0.866
2"	1-210-32-P	\$31.95	1-210-32-P-C	\$33.75	8	2.244	2.032	2.469	2.252	0.827	4.417	6.260	8.125	5/8	0.781	0.866
2"	1-211-32-P	\$39.40	1-211-32-P-C	\$42.25	10	2.362	2.189	2.807	2.500	0.866	4.902	6.772	8.625	5/8	0.781	0.866
2 1/8"	1-211-34-P	\$39.40	1-211-34-P-C	\$42.25	10	2.362	2.189	2.807	2.500	0.866	4.902	6.772	8.625	5/8	0.781	0.866
2 3/16"	1-211-35-P	\$39.40	1-211-35-P-C	\$42.25	10	2.362	2.189	2.807	2.500	0.866	4.902	6.772	8.625	5/8	0.781	0.866
2 1/4"	1-212-36-P	\$47.45	1-212-36-P-C	\$52.85	12	2.598	2.563	3.059	2.752	0.945	5.394	7.323	9.500	5/8	0.781	0.984
2 3/8"	1-212-38-P	\$47.45	1-212-38-P-C	\$52.85	12	2.598	2.563	3.059	2.752	0.945	5.394	7.323	9.500	5/8	0.781	0.984
2 7/16"	1-212-39-P	\$47.45	1-212-39-P-C	\$52.85	12	2.598	2.563	3.059	2.752	0.945	5.394	7.323	9.500	5/8	0.781	0.984
2 1/2"	1-213-40-P	\$61.45	1-213-40-P-C	\$68.80	16	2.756	2.563	3.374	3.000	1.024	5.866	7.992	10.437	3/4	1.000	1.188
2 3/4"	1-214-44-P	\$70.55	1-214-44-P-C	\$79.30	18	2.835	2.937	3.374	3.126	1.063	6.102	8.268	10.472	3/4	1.000	1.188
2 15/16"	1-215-47-P	\$85.35	1-215-47-P-C	\$91.95	19	2.913	3.063	3.626	3.252	1.102	6.362	8.543	10.813	3/4	1.000	1.188
3"	1-215-48-P	\$85.35	1-215-48-P-C	\$91.95	19	2.913	3.063	3.626	3.252	1.102	6.362	8.543	10.813	3/4	1.000	1.188

Replacement Insert Bearings

- Brand new, DURA-ROLL replacement bearings. UC bearings have 2 set screws for shaft retention, HC have eccentric locking collar. Order by housing and bore size.



Bore	Item	Price	Item	Price	Bore	Item	Price	Item	Price	Bore	Item	Price	Item	Price
1/2"	1-UC201-08	\$6.85	1-HC201-08	\$8.10	15/16"	1-UC207-21	\$11.40	1-HC207-21	\$14.10	2"	1-UC211-32	\$21.65	1-HC211-32	\$26.60
5/8"	1-UC202-10	\$6.85	1-HC202-10	\$8.10	1 3/8"	1-UC207-22	\$11.40	1-HC207-22	\$14.10	2 1/8"	1-UC211-34	\$21.65	1-HC211-34	\$26.60
3/4"	1-UC204-12	\$6.75	1-HC204-12	\$7.85	1 7/16"	1-UC207-23	\$11.40	1-HC207-23	\$14.10	2 3/16"	1-UC211-35	\$21.65	1-HC211-35	\$26.60
7/8"	1-UC205-14	\$7.25	1-HC205-14	\$8.50	1 1/2"	1-UC208-24	\$14.10	1-HC208-24	\$16.00	2 1/4"	1-UC212-36	\$27.15	1-HC212-36	\$32.80
15/16"	1-UC205-15	\$7.25	1-HC205-15	\$8.50	1 5/8"	1-UC209-26	\$15.10	1-HC209-26	\$15.80	2 3/8"	1-UC212-38	\$27.15	1-HC212-38	\$32.80
1"	1-UC205-16	\$7.25	1-HC205-16	\$8.50	1 11/16"	1-UC209-27	\$15.10	1-HC209-27	\$15.80	2 7/16"	1-UC212-39	\$27.15	1-HC212-39	\$32.80
1 1/8"	1-UC206-18	\$9.00	1-HC206-18	\$10.40	1 3/4"	1-UC209-28	\$15.10	1-HC209-28	\$15.80	2 1/2"	1-UC213-40	\$34.20	1-HC213-40	\$45.85
1 3/16"	1-UC206-19	\$9.00	1-HC206-19	\$10.40	1 7/8"	1-UC210-30	\$18.25	1-HC210-30	\$20.35	2 3/4"	1-UC214-44	\$42.10	1-HC214-44	\$53.90
1 1/4"	1-UC206-20	\$9.00	1-HC206-20	\$10.40	1 15/16"	1-UC210-31	\$18.25	1-HC210-31	\$20.35	2 15/16"	1-UC215-47	\$50.60	1-HC215-47	\$62.55
1 1/4"	1-UC207-20	\$11.40	1-HC207-20	\$14.10	2"	1-UC210-32	\$18.25	1-HC210-32	\$20.35	3"	1-UC215-48	\$50.60	1-HC215-48	\$62.55