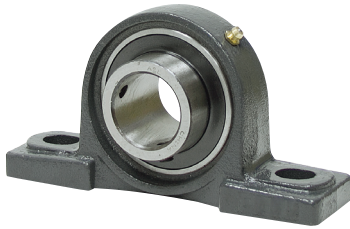
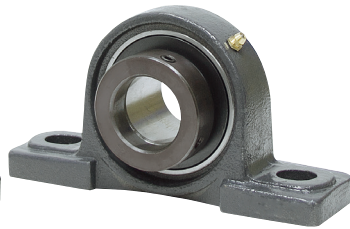


Pillow Block Bearings

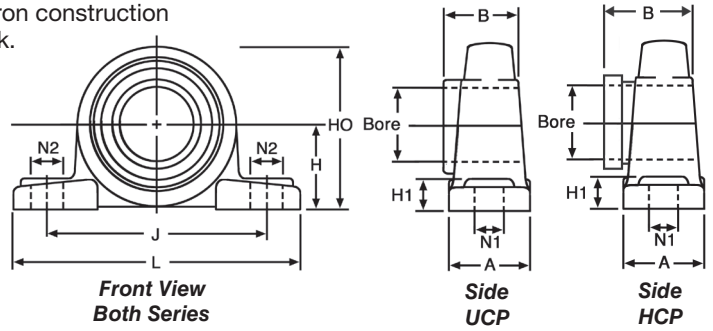
- Brand new 200 series normal duty pillow block bearings. Cast iron construction with self-aligning ball bearing insert and grease zerk.



UCP Series



HCP Series



Bore	UCP Series Two Set Screws, No Lock Collar		HCP Series Eccentric Locking Collar w/Set Screws		Shpg.	Dimensions										
	ITEM	Price	ITEM	Price		A	B	B	H	H1	HO	J	L	Bolt	N1	N2
1/2"	1-201-08-P	\$11.60	1-201-08-P-C	\$13.20	3	1.457	1.221	1.713	1.311	0.551	2.512	3.780	5.000	3/8	0.512	0.630
5/8"	1-202-10-P	\$11.60	1-202-10-P-C	\$13.20	3	1.457	1.221	1.713	1.311	0.551	2.512	3.780	5.000	3/8	0.512	0.630
3/4"	1-204-12-P	\$11.45	1-204-12-P-C	\$13.20	3	1.457	1.221	1.713	1.311	0.551	2.512	3.780	5.000	3/8	0.512	0.630
7/8"	1-205-14-P	\$12.75	1-205-14-P-C	\$13.70	3	1.496	1.339	1.744	1.437	0.591	2.736	4.134	5.512	3/8	0.512	0.748
15/16"	1-205-15-P	\$12.75	1-205-15-P-C	\$13.70	3	1.496	1.339	1.744	1.437	0.591	2.736	4.134	5.512	3/8	0.512	0.748
1"	1-205-16-P	\$12.75	1-205-16-P-C	\$13.70	3	1.496	1.339	1.744	1.437	0.591	2.736	4.134	5.512	3/8	0.512	0.748
1 1/8"	1-206-18-P	\$16.80	1-206-18-P-C	\$17.20	4	1.732	1.500	1.902	1.689	0.630	3.228	4.764	6.500	1/2	0.699	0.826
1 3/16"	1-206-19-P	\$16.80	1-206-19-P-C	\$17.20	4	1.732	1.500	1.902	1.689	0.630	3.228	4.764	6.500	1/2	0.669	0.826
1 1/4"	1-206-20-P	\$16.80	1-206-20-P-C	\$17.20	4	1.732	1.500	1.902	1.689	0.630	3.228	4.764	6.500	1/2	0.669	0.826
1 5/16"	1-207-21-P	\$17.85	1-207-21-P-C	\$20.20	5	1.890	1.689	2.012	1.874	0.669	3.622	4.961	6.575	1/2	0.669	0.826
1 3/8"	1-207-22-P	\$17.85	1-207-22-P-C	\$20.20	5	1.890	1.689	2.012	1.874	0.669	3.622	4.961	6.575	1/2	0.669	0.826
1 7/16"	1-207-23-P	\$17.85	1-207-23-P-C	\$20.20	5	1.890	1.689	2.012	1.874	0.669	3.622	4.961	6.575	1/2	0.669	0.826
1 1/2"	1-208-24-P	\$21.75	1-208-24-P-C	\$24.90	6	2.047	1.937	2.217	1.937	0.709	3.858	5.354	7.250	1/2	0.669	0.827
1 5/8"	1-209-26-P	\$25.60	1-209-26-P-C	\$28.50	7	2.126	1.938	2.217	2.126	0.787	4.154	5.748	7.469	1/2	0.669	0.827
1 11/16"	1-209-27-P	\$25.60	1-209-27-P-C	\$28.50	7	2.126	1.938	2.217	2.126	0.787	4.154	5.748	7.469	1/2	0.669	0.827
1 3/4"	1-209-28-P	\$25.60	1-209-28-P-C	\$28.50	7	2.126	1.938	2.217	2.126	0.787	4.154	5.748	7.469	1/2	0.669	0.827
1 7/8"	1-210-30-P	\$31.95	1-210-30-P-C	\$33.75	8	2.244	2.032	2.469	2.252	0.827	4.417	6.260	8.125	5/8	0.781	0.866
1 15/16"	1-210-31-P	\$31.95	1-210-31-P-C	\$33.75	8	2.244	2.032	2.469	2.252	0.827	4.417	6.260	8.125	5/8	0.781	0.866
2"	1-210-32-P	\$31.95	1-210-32-P-C	\$33.75	8	2.244	2.032	2.469	2.252	0.827	4.417	6.260	8.125	5/8	0.781	0.866
2"	1-211-32-P	\$39.40	1-211-32-P-C	\$42.25	10	2.362	2.189	2.807	2.500	0.866	4.902	6.772	8.625	5/8	0.781	0.866
2 1/8"	1-211-34-P	\$39.40	1-211-34-P-C	\$42.25	10	2.362	2.189	2.807	2.500	0.866	4.902	6.772	8.625	5/8	0.781	0.866
2 3/16"	1-211-35-P	\$39.40	1-211-35-P-C	\$42.25	10	2.362	2.189	2.807	2.500	0.866	4.902	6.772	8.625	5/8	0.781	0.866
2 1/4"	1-212-36-P	\$47.45	1-212-36-P-C	\$52.85	12	2.598	2.563	3.059	2.752	0.945	5.394	7.323	9.500	5/8	0.781	0.984
2 3/8"	1-212-38-P	\$47.45	1-212-38-P-C	\$52.85	12	2.598	2.563	3.059	2.752	0.945	5.394	7.323	9.500	5/8	0.781	0.984
2 7/16"	1-212-39-P	\$47.45	1-212-39-P-C	\$52.85	12	2.598	2.563	3.059	2.752	0.945	5.394	7.323	9.500	5/8	0.781	0.984
2 1/2"	1-213-40-P	\$61.45	1-213-40-P-C	\$68.80	16	2.756	2.563	3.374	3.000	1.024	5.866	7.992	10.437	3/4	1.000	1.188
2 3/4"	1-214-44-P	\$70.55	1-214-44-P-C	\$79.30	18	2.835	2.937	3.374	3.126	1.063	6.102	8.268	10.472	3/4	1.000	1.188
2 15/16"	1-215-47-P	\$85.35	1-215-47-P-C	\$91.95	19	2.913	3.063	3.626	3.252	1.102	6.362	8.543	10.813	3/4	1.000	1.188
3"	1-215-48-P	\$85.35	1-215-48-P-C	\$91.95	19	2.913	3.063	3.626	3.252	1.102	6.362	8.543	10.813	3/4	1.000	1.188

Replacement Insert Bearings

- Brand new, DURA-ROLL replacement bearings. UC bearings have 2 set screws for shaft retention, HC have eccentric locking collar. Order by housing and bore size.



1-UC205-16



1-HC205-16

Bore	Item	Price	Item	Price	Bore	Item	Price	Item	Price	Bore	Item	Price	Item	Price
1/2"	1-UC201-08	\$6.85	1-HC201-08	\$8.10	1 5/16"	1-UC207-21	\$11.40	1-HC207-21	\$14.10	2"	1-UC211-32	\$21.65	1-HC211-32	\$26.60
5/8"	1-UC202-10	\$6.85	1-HC202-10	\$8.10	1 3/8"	1-UC207-22	\$11.40	1-HC207-22	\$14.10	2 1/8"	1-UC211-34	\$21.65	1-HC211-34	\$26.60
3/4"	1-UC204-12	\$6.75	1-HC204-12	\$7.85	1 7/16"	1-UC207-23	\$11.40	1-HC207-23	\$14.10	2 3/16"	1-UC211-35	\$21.65	1-HC211-35	\$26.60
7/8"	1-UC205-14	\$7.25	1-HC205-14	\$8.50	1 1/2"	1-UC208-24	\$14.10	1-HC208-24	\$16.00	2 1/4"	1-UC212-36	\$27.15	1-HC212-36	\$32.80
15/16"	1-UC205-15	\$7.25	1-HC205-15	\$8.50	1 5/8"	1-UC209-26	\$15.10	1-HC209-26	\$15.80	2 3/8"	1-UC212-38	\$27.15	1-HC212-38	\$32.80
1"	1-UC205-16	\$7.25	1-HC205-16	\$8.50	1 11/16"	1-UC209-27	\$15.10	1-HC209-27	\$15.80	2 7/16"	1-UC212-39	\$27.15	1-HC212-39	\$32.80
1 1/8"	1-UC206-18	\$9.00	1-HC206-18	\$10.40	1 3/4"	1-UC209-28	\$15.10	1-HC209-28	\$15.80	2 1/2"	1-UC213-40	\$34.20	1-HC213-40	\$45.85
1 3/16"	1-UC206-19	\$9.00	1-HC206-19	\$10.40	1 7/8"	1-UC210-30	\$18.25	1-HC210-30	\$20.35	2 3/4"	1-UC214-44	\$42.10	1-HC214-44	\$53.90
1 1/4"	1-UC206-20	\$9.00	1-HC206-20	\$10.40	1 15/16"	1-UC210-31	\$18.25	1-HC210-31	\$20.35	2 15/16"	1-UC215-47	\$50.60	1-HC215-47	\$62.55
1 1/4"	1-UC207-20	\$11.40	1-HC207-20	\$14.10	2"	1-UC210-32	\$18.25	1-HC210-32	\$20.35	3"	1-UC215-48	\$50.60	1-HC215-48	\$62.55