



# Polypropylene Line Strainers



## Installation

In most circumstances, install the line strainer on the inlet side of the pump. If using a centrifugal pump, a strainer can be installed on either the inlet or discharge side, depending on the strainer flow capacity, strainer pressure rating and other installation factors. The arrow molded in the strainer cap indicates flow of liquid.

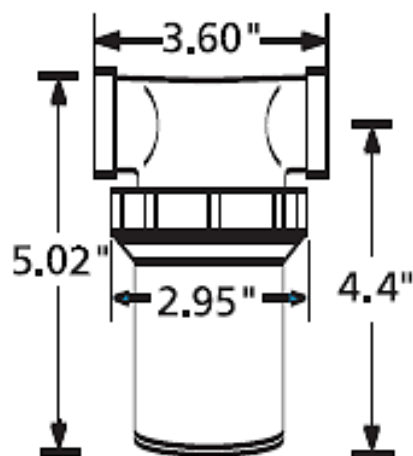
Clean the strainer without removing it from the line. Simply unscrew the bowl from the cap and take out the screen. Next, flush the sediment from the screen. Reassemble the strainer by first fitting the screen to the flange in the bowl. Turn the bowl hand tight, which provides a sufficient seal against the cap. **NOTE: Not recommended for fatigue-loading applications such as water softeners.**

## Specifications

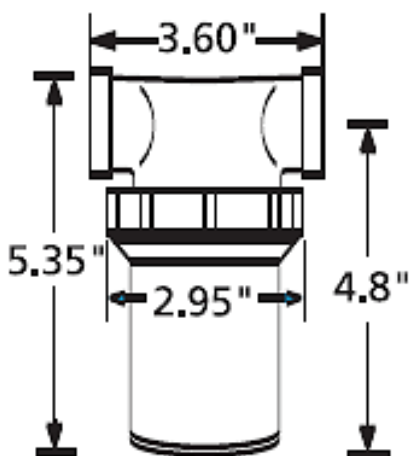
The cap and bowl are black polypropylene. Screens come in 50-mesh stainless steel. EPDM gaskets are standard.

Ratings: 80 psi at 70° F.

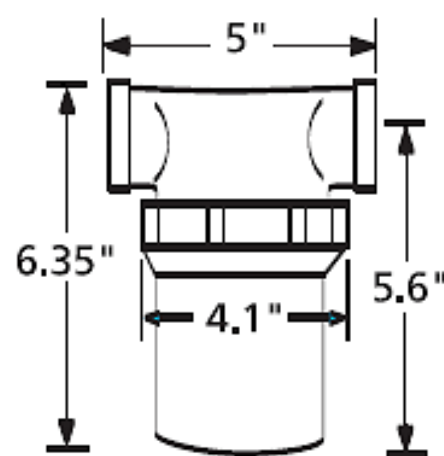
Line Strainer Data					
Item Number	NPT Number	Model	Screen	Gasket	Open Area (sq. in.)
20-997	1/2"	3350-0046A	50 SS	EPDM	7.7
20-998	3/4"	3350-0034A	50 SS	EPDM	7.7
20-999	1"	3350-0058A	50 SS	EPDM	13.5



1/2" Strainer



3/4" Strainer



1" Strainer