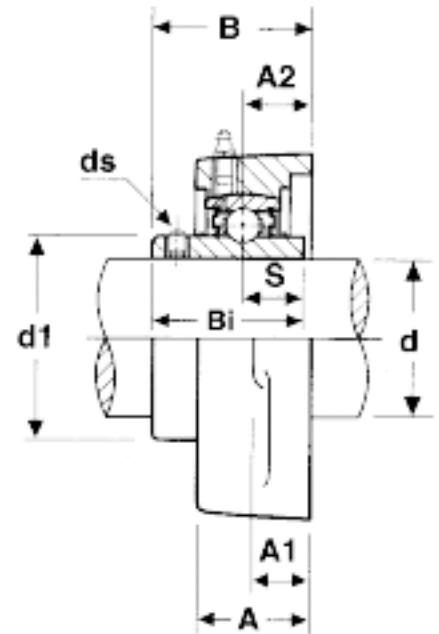
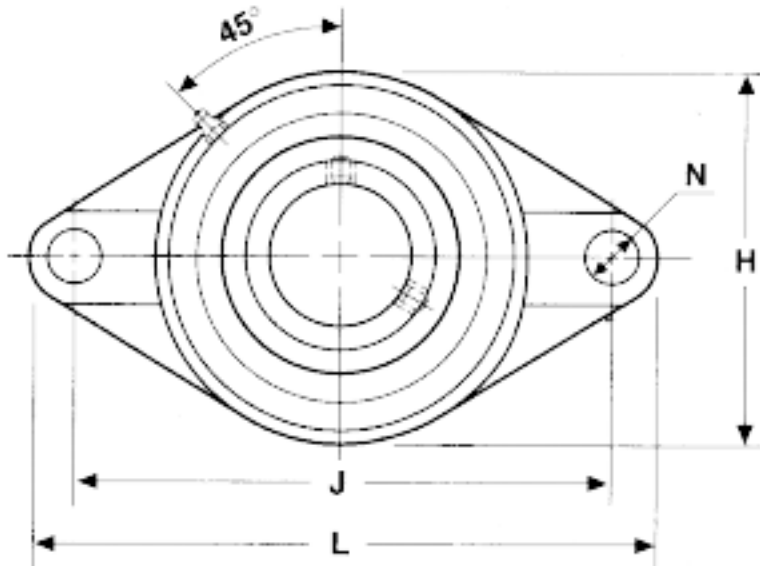
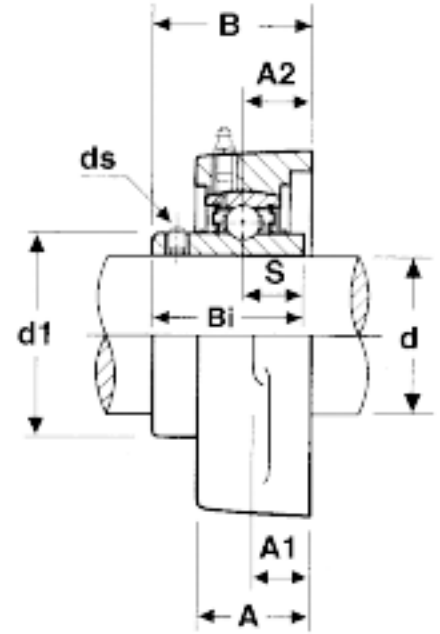
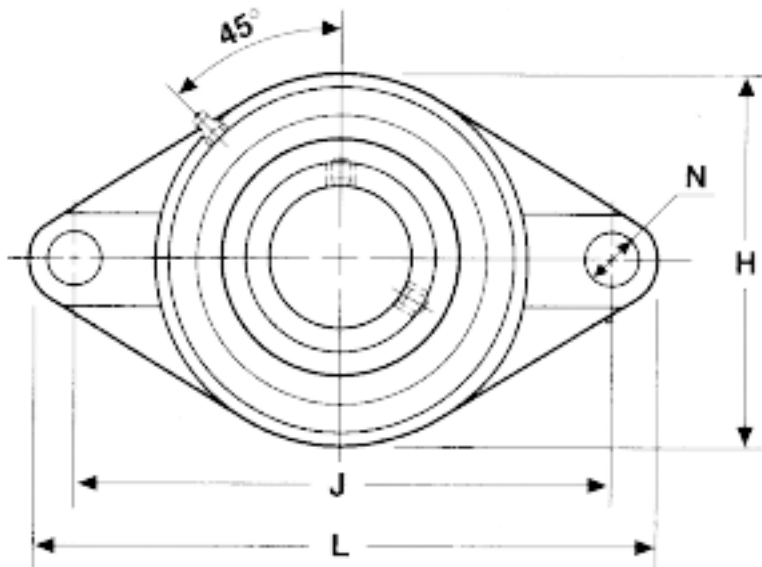


2 Bolt Flange Bearings - UCFL Series



Unit No.	Shaft Dia.	Dimensions										Set Screw ds UNF	Bolt Used	Bearing No.	Housing No.
		d	L	J	A2	A1	A	S	N	B	B1				
UCFL201-8	1/2	113	90	15	11	25.5	12.7	11.5	33.12	31	60	1/4 28	3/8	UC201-08	FL204
		4.4488	3.5433	0.5906	0.4331	1.0039	0.5	0.4528	1.312	1.2205	2.3622				
UCFL202-10	5/8	113	90	15	11	25.5	12.7	11.5	33.12	31	60	1/4 28	3/8	UC202-10	FL204
		4.4488	3.5433	0.5906	0.4331	1.0039	0.5	0.4528	1.312	1.2205	2.3622				
UCFL204-12	3/4	113	90	15	11	25.5	12.7	11.5	33.12	31	60	1/4 28	3/8	UC204-12	FL204
		4.4488	3.5433	0.5906	0.4331	1.0039	0.5	0.4528	1.312	1.2205	2.3622				
UCFL205-14	7/8	130	99	16	13	27	14.3	11.5	35.7	34	66	1/4 28	7/16	UC205-14	FL205
		5.1181	3.6978	0.6299	0.5118	1.063	0.563	0.4528	1.4055	1.3386	2.6772				
UCFL205-15	15/16	130	99	16	13	27	14.3	11.5	35.7	34	66	1/4 28	7/16	UC205-15	FL205
		5.1181	3.6978	0.6299	0.5118	1.063	0.563	0.4528	1.4055	1.3386	2.6772				
UCFL205-16	1	130	99	16	13	27	14.3	11.5	35.7	34	66	1/4 28	7/16	UC205-16	FL205
		5.1181	3.6978	0.6299	0.5118	1.063	0.563	0.5	1.4055	1.3386	2.6772				
UCFL206-17	1-1/16	148	117	18	13	31	15.9	11.5	40.2	38.1	80	1/4 28	7/16	UC206-17	FL206
		5.8268	4.6063	0.7087	0.5118	1.2205	0.626	0.4528	1.583	1.5	3.1496				
UCFL206-18	1-1/8	148	117	18	13	31	15.9	11.5	40.2	38.1	80	1/4 28	7/16	UC206-18	FL206
		5.8268	4.6063	0.7087	0.5118	1.2205	0.626	0.4528	1.583	1.5	3.1496				
UCFL206-19	1-3/16	148	117	18	13	31	15.9	11.5	40.2	38.1	80	1/4 28	7/16	UC206-19	FL206
		5.8268	4.6063	0.7087	0.5118	1.2205	0.626	0.4528	1.583	1.5	3.1496				
UCFL206-20	1-1/4	148	117	18	13	31	15.9	11.5	40.2	38.1	80	1/4 28	7/16	UC206-20	FL206
		5.8268	4.6063	0.7087	0.5118	1.2205	0.626	0.4528	1.583	1.5	3.1496				
UCFL207-20	1-1/4	161	130	19	14	34	17.5	13	44.4	42.9	90	5/16 24	1/2	UC207-20	FL207
		6.3386	5.1181	0.748	0.5512	1.3386	0.689	0.5118	1.748	1.689	3.5433				
UCFL207-21	1-5/16	161	130	19	14	34	17.5	13	44.4	42.9	90	5/16 24	1/2	UC207-21	FL207
		6.3386	5.1181	0.748	0.5512	1.3386	0.689	0.5118	1.748	1.689	3.5433				
UCFL207-22	1-3/8	161	130	19	14	34	17.5	13	44.4	42.9	90	5/16 24	1/2	UC207-22	FL207
		6.3386	5.1181	0.748	0.5512	1.3386	0.689	0.5118	1.748	1.689	3.5433				
UCFL207-23	1-7/16	161	130	19	14	34	17.5	13	44.4	42.9	90	5/16 24	1/2	UC207-23	FL207
		6.3386	5.1181	0.748	0.5512	1.3386	0.689	0.5118	1.748	1.689	3.5433				
UCFL208-24	1-1/2	175	144	21	14	36	19	13	51.2	49.2	100	5/16 24	1/2	UC208-24	FL208
		6.8898	5.6693	0.8268	0.5512	1.4173	0.748	0.5118	2.016	1.937	3.937				
UCFL208-25	1-9/16	175	144	21	14	36	19	13	51.2	49.2	100	5/16 24	1/2	UC208-25	FL208
		6.8898	5.6693	0.8268	0.5512	1.4173	0.748	0.5118	2.016	1.937	3.937				
UCFL209-26	1-5/8	188	148	22	16	38	19	15	52.2	49.2	108	5/16 24	9/16	UC209-26	FL209
		7.4016	5.8268	0.8661	0.6299	1.4961	0.748	0.5906	2.055	1.937	4.252				
UCFL209-27	1-11/16	188	148	22	16	38	19	15	52.2	49.2	108	5/16 24	9/16	UC209-27	FL209
		7.4016	5.8268	0.8661	0.6299	1.4961	0.748	0.5906	2.055	1.937	4.252				
UCFL209-28	1-3/4	188	148	22	16	38	19	15	52.2	49.2	108	5/16 24	9/16	UC209-28	FL209
		7.4016	5.8268	0.8661	0.6299	1.4961	0.748	0.5906	2.055	1.937	4.252				
UCFL210-30	1-7/8	197	157	22	16	40	19	15	54.6	61.6	115	3/8 24	9/16	UC210-30	FL210
		7.7559	6.1811	0.8661	0.6299	1.5748	0.748	0.5906	2.15	2.4252	4.5276				
UCFL210-31	1-15/16	197	157	22	16	40	19	15	54.6	61.6	115	3/8 24	9/16	UC210-31	FL210
		7.7559	6.1811	0.8661	0.6299	1.5748	0.748	0.5906	2.15	2.4252	4.5276				



Unit No.	Shaft Dia.	Dimensions										Set Screw ds UNF	Bolt Used	Bearing No.	Housing No.
		d	L	J	A2	A1	A	S	N	B	B1				
UCFL210-32	2	197	157	22	16	40	19	15	54.6	61.6	115	3/8 24	9/16	UC210-32	FL210
		7.7559	6.1811	0.8661	0.6299	1.5748	0.748	0.5906	2.15	2.4252	4.5276				
UCFL211-32	2	224	184	25	18	43	22.2	16.5	58.4		130	3/8 24	5/8	UC211-32	FL211
		8.8189	7.2441	0.9843	0.7087	1.6929	0.874	0.6496	2.299	5.1181					
UCFL211-34	2-1/8	224	184	25	18	43	22.2	16.5	58.4		130	3/8 24	5/8	UC211-34	FL211
		8.8189	7.2441	0.9843	0.7087	1.6929	0.874	0.6496	2.299	5.1181					
UCFL211-35	2-3/16	224	184	25	18	43	22.2	16.5	58.4		130	3/8 24	5/8	UC211-35	FL211
		8.8189	7.2441	0.9843	0.7087	1.6929	0.874	0.6496	2.299	5.1181					
UCFL212-36	2-1/4	250	202	29	18	48	25.4	16.5	68.7	65.1	140	3/8 24	5/8	UC212-36	FL212
		9.8425	7.95	1.1417	0.7087	1.8898	1	0.6496	2.7	2.563	5.5118				
UCFL212-37	2-5/16	250	202	29	18	48	25.4	16.5	68.7	65.1	140	3/8 24	5/8	UC212-37	FL212
		9.8425	7.95	1.1417	0.7087	1.8898	1	0.6496	2.7	2.563	5.5118				
UCFL212-38	2-3/8	250	202	29	18	48	25.4	16.5	68.7	65.1	140	3/8 24	5/8	UC212-38	FL212
		9.8425	7.95	1.1417	0.7087	1.8898	1	0.6496	2.7	2.563	5.5118				
UCFL212-39	2-7/16	250	202	29	18	48	25.4	16.5	68.7	65.1	140	3/8 24	5/8	UC212-39	FL212
		9.8425	7.95	1.1417	0.7087	1.8898	1	0.6496	2.7	2.563	5.5118				
UCFL213-40	2-1/2	258	210	30	20	50	25.4	23	69.7	65.1	155	3/8 24	3/4	UC213-40	FL213
		10.158	8.2677	1.1811	0.7874	1.967	1	0.9055	2.74	2.563	6.1024				
UCFL214-44	2-3/4	265	216	31	20	54	30.2	23	75.3	74.6	160	7/16 20	3/4	UC214-44	FL214
		10.433	8.5039	1.2205	0.7874	2.126	1.189	0.9055	2.968	2.937	6.2992				
UCFL215-47	2-15/16	275	225	34	20	56	33.3	23	78.6	77.5	165	7/16 20	3/4	UC215-47	FL215
		10.827	8.8582	1.339	0.7874	2.2047	1.311	0.9055	3.0944	3.0512	6.496				
UCFL215-48	3	275	225	34	20	56	33.3	23	78.6	77.5	165	7/16 20	3/4	UC215-48	FL215
		10.827	8.8582	1.339	0.7874	2.2047	1.311	0.9055	3.0944	3.0512	6.496				

Bearing Series	Load Ratings												
	Radial load in pounds at various RPM based on 500 hours minimum life.												
	33-1/3 RPM	50 RPM	100 RPM	200 RPM	300 RPM	500 RPM	900 RPM	1,200 RPM	1,500 RPM	1,800 RPM	2,400 RPM	3,600 RPM	5,000 RPM
UC201	2,226	1,940	1,540	1,220	1,070	900	740	670	630	590	540	467	420
UC202	2,226	1,940	1,540	1,220	1,070	900	740	670	630	590	540	467	420
UC204	2,226	1,940	1,540	1,220	1,070	900	740	670	630	590	540	467	420
UC205	2,420	2,120	1,680	1,330	1,170	985	810	730	680	640	580	510	456
UC206	3,370	2,960	2,340	1,860	1,620	1,370	1,120	1,020	950	890	810	710	—
UC207	4,450	3,880	3,090	2,450	2,200	1,810	1,260	1,350	1,250	1,170	1,070	935	—
UC208	5,030	4,390	3,500	2,760	2,430	2,040	1,680	1,520	1,410	1,330	1,210	—	—
UC209	5,660	4,960	3,730	3,110	2,730	2,300	1,950	1,720	1,590	1,500	1,360	—	—
UC210	6,020	5,250	4,170	3,310	2,890	2,440	2,180	1,820	1,690	1,590	1,440	—	—
UC211	7,450	6,500	5,160	4,100	3,580	3,020	2,480	2,260	2,000	1,970	1,790	—	—
UC212	8,990	7,850	6,230	4,950	4,320	3,640	3,000	2,720	2,530	2,070	—	—	—
UC213	9,833	8,580	6,840	5,410	4,720	3,980	3,280	2,980	2,760	2,595	—	—	—
UC214	10,690	9,330	7,410	5,780	5,130	4,330	3,570	3,240	3,005	2,820	—	—	—
UC215	11,440	9,970	7,930	6,920	5,490	4,630	3,810	3,470	3,210	3,020	—	—	—

NOTE: The values in the table above are based on the insert bearing mounted in the housing.

Set Screw Torque - Set screws should be tightened evenly on the shaft until both are snug. Then each set screw should be further tightened to the torque value within the appropriate limits specified in the following table.

Set Screw Torque Limits

Set Screw Size	Torque Limit (in-lbs.)	
	Minimum	Maximum
10-32	20	22
1/4"-28	31	35
5/16"-28	70	74
3/8"-24	138	143
7/16"-20	200	210

CAUTION: Do not over tighten set screws.