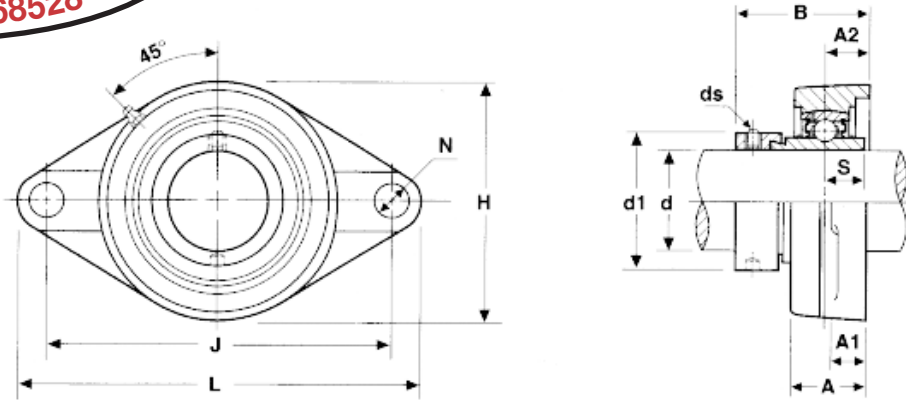


2 Bolt Flange Bearings - HCFT Series



Unit No.	Shaft Dia.	Dimensions											Set Screw ds UNF	Bolt Used	Bearing No.	Housing No.
		d	L	J	A2	A1	A	S	N	B	B1	H				
HCFT201-08	1/2	112.5	90	19	15	29.5	17	10	45.5	43.5	61	1/4 28	3/8	HC201-8	FT204	
		4.4291	3.5433	0.748	0.5906	1.1614	0.6693	0.3937	1.7913	1.7126	1					
HCFT202-10	5/8	112.5	90	19	15	29.5	17	10	45.5	43.5	61	1/4 28	3/8	HC202-10	FT204	
		4.4291	3.5433	0.748	0.5906	1.1614	0.6693	0.3937	1.7913	1.7126	1					
HCFT204-12	3/4	112.5	90	19	15	29.5	17	10	45.5	43.5	61	1/4 28	3/8	HC204-12	FT204	
		4.4291	3.5433	0.748	0.5906	1.1614	0.6693	0.3937	1.7913	1.7126	1					
HCFT205-14	7/8	123	99	19	15	30	17.4	11.5	45.9	44.3	70	1/4 28	7/16	HC205-14	FT205	
		4.8425	3.8976	0.748	0.5906	1.1811	0.685	0.4528	1.8071	1.7441	2.7559					
HCFT205-15	15/16	123	99	19	15	30	17.4	11.5	45.9	44.3	70	1/4 28	7/16	HC205-15	FT205	
		4.8425	3.8976	0.748	0.5906	1.1811	0.685	0.4528	1.8071	1.7441	2.7559					
HCFT205-16	1	123	99	19	15	30	17.4	11.5	45.9	44.3	70	1/4 28	7/16	HC205-16	FT205	
		4.8425	3.8976	0.748	0.5906	1.1811	0.685	0.4528	1.8071	1.7441	2.7559					
HCFT206-17	1-1/16	142	116.5	20	16	32.5	18.2	11.5	50.1	48.3	82	1/4 28	7/16	HC206-17	FT206	
		5.5906	4.5866	0.7874	0.6299	1.2795	0.7165	0.4528	1.9724	1.9016	3.2283					
HCFT206-18	1-1/8	142	116.5	20	16	32.5	18.2	11.5	50.1	48.3	82	1/4 28	7/16	HC206-18	FT206	
		5.5906	4.5866	0.7874	0.6299	1.2795	0.7165	0.4528	1.9724	1.9016	3.2283					
HCFT206-19	1-3/16	142	116.5	20	16	32.5	18.2	11.5	50.1	48.3	82	1/4 28	7/16	HC206-19	FT206	
		5.5906	4.5866	0.7874	0.6299	1.2795	0.7165	0.4528	1.9724	1.9016	3.2283					
HCFT206-20	1-1/4	142	116.5	20	16	32.5	18.2	11.5	50.1	48.3	82	1/4 28	7/16	HC206-20	FT206	
		5.5906	4.5866	0.7874	0.6299	1.2795	0.7165	0.4528	1.9724	1.9016	3.2283					
HCFT207-20	1-1/4	158	130	21	17	36	18.8	13	53.3	51.1	94	5/16 24	1/2	HC207-20	FT207	
		6.2205	5.1181	0.8268	0.669	1.4173	0.7402	0.5118	2.0984	2.0118	3.7008					
HCFT207-21	1-5/16	158	130	21	17	36	18.8	13	53.3	51.1	94	5/16 24	1/2	HC207-21	FT207	
		6.2205	5.1181	0.8268	0.669	1.4173	0.7402	0.5118	2.0984	2.0118	3.7008					
HCFT207-22	1-3/8	158	130	21	17	36	18.8	13	53.3	51.1	94	5/16 24	1/2	HC207-22	FT207	
		6.2205	5.1181	0.8268	0.669	1.4173	0.7402	0.5118	2.0984	2.0118	3.7008					
HCFT207-23	1-7/16	158	130	21	17	36	18.8	13	53.3	51.1	94	5/16 24	1/2	HC207-23	FT207	
		6.2205	5.1181	0.8268	0.669	1.4173	0.7402	0.5118	2.0984	2.0118	3.7008					
HCFT208-24	1-1/2	172	143.5	24	17	39	21.4	13	58.9	56.3	103	5/16 24	1/2	HC208-24	FT208	
		6.7717	5.6496	0.9449	0.6693	1.5354	0.8425	0.5118	2.3189	2.2165	4.0551					
HCFT208-25	1-9/16	172	143.5	24	17	39	21.4	13	58.9	56.3	103	5/16 24	1/2	HC208-25	FT208	
		6.7717	5.6496	0.9449	0.6693	1.5354	0.8425	0.5118	2.3189	2.2165	4.0551					
HCFT209-26	1-5/8	180	148.5	24	18	40	21.4	15	58.9	56.3	108	5/16 24	9/16	HC209-26	FT209	
		7.0866	5.8465	0.9449	0.7087	1.5748	0.8425	0.5906	2.3189	2.2165	4.252					
HCFT209-27	1-11/16	180	148.5	24	18	40	21.4	15	58.9	56.3	108	5/16 24	9/16	HC209-27	FT209	
		7.0866	5.8465	0.9449	0.7087	1.5748	0.8425	0.5906	2.3189	2.2165	4.2521					
HCFT209-28	1-3/4	180	148.5	24	18	40	21.4	15	58.9	56.3	108	5/16 24	9/16	HC209-28	FT209	
		7.0866	5.8465	0.9449	0.7087	1.5748	0.8425	0.5906	2.3189	2.2165	4.2522					
HCFT210-30	1-7/8	190	157	28	20	45	24.6	15	66.1	62.7	114	5/16 24	9/16	HC210-30	FT210	
		7.4803	6.1811	1.1024	0.7874	1.7717	0.9685	0.5906	2.6024	2.4685	4.4882					
HCFT210-31	1-15/16	190	157	28	20	45	24.6	15	66.1	62.7	114	5/16 24	9/16	HC210-31	FT210	
		7.4803	6.1811	1.1024	0.7874	1.7717	0.9685	0.5906	2.6024	2.4685	4.4882					
HCFT210-32	2	190	157	28	20	45	24.6	15	66.1	62.7	114	5/16 24	9/16	HC210-32	FT210	
		7.4803	6.1811	1.1024	0.7874	1.7717	0.9685	0.5906	2.6024	2.4685	4.4882					
HCFT211-32	2	217	184	31	21	48	27.7	16.5	74.6	71.3	128	3/8 24	5/8	HC211-32	FT211	
		8.5433	7.2441	1.2205	0.8268	1.8898	1.0906	0.6496	2.937	2.8071	5.0394					
HCFT211-34	2-1/8	217	184	31	21	48	27.7	16.5	74.6	71.3	128	3/8 24	5/8	HC211-34	FT211	
		8.5433	7.2441	1.2205	0.8268	1.8898	1.0906	0.6496	2.937	2.8071	5.0394					
HCFT211-35	2-3/16	217	184	31	21	48	27.7	16.5	74.6	71.3	128	3/8 24	5/8	HC211-35	FT211	
		8.5433	7.2441	1.2205	0.8268	1.8898	1.0906	0.6496	2.937	2.8071	5.0394					
HCFT212-36	2-1/4	237	202	34	21	53	30.9	16.5	80.8	77.7	138	3/8 24	5/8	HC212-36	FT212	
		9.3307	7.9528	1.3386	0.8268	2.0866	1.2165	0.6496	3.1811	3.0591	5.4331					
HCFT212-37	2-5/16	237	202	34	21	53	30.9	16.5	80.8	77.7	138	3/8 24	5/8	HC212-37	FT212	
		9.3307	7.9528	1.3386	0.8268	2.0866	1.2165	0.6496	3.1811	3.0591	5.4331					
HCFT212-38	2-3/8	237	202	34	21	53	30.9	16.5	80.8	77.7	138	3/8 24	5/8	HC212-38	FT212	
		9.3307	7.9528	1.3386	0.8268	2.0866	1.2165	0.6496	3.1811	3.0591	5.4331					
HCFT212-39	2-7/16	237	202	34	21	53	30.9	16.5	80.8	77.7	138	3/8 24	5/8	HC212-39	FT212	
		9.3307	7.9528	1.3386	0.8268	2.0866	1.2165	0.6496	3.1811	3.0591	5.4331					

Bearing Series	Load Ratings												
	Radial load in pounds at various RPM based on 500 hours minimum life.												
	33-1/3 RPM	50 RPM	100 RPM	200 RPM	300 RPM	500 RPM	900 RPM	1,200 RPM	1,500 RPM	1,800 RPM	2,400 RPM	3,600 RPM	5,000 RPM
HC201	2,226	1,940	1,540	1,220	1,070	900	740	670	630	590	540	467	420
HC202	2,226	1,940	1,540	1,220	1,070	900	740	670	630	590	540	467	420
HC204	2,226	1,940	1,540	1,220	1,070	900	740	670	630	590	540	467	420
HC205	2,420	2,120	1,680	1,330	1,170	985	810	730	680	640	580	510	456
HC206	3,370	2,960	2,340	1,860	1,620	1,370	1,120	1,020	950	890	810	710	—
HC207	4,450	3,880	3,090	2,450	2,200	1,810	1,260	1,350	1,250	1,170	1,070	935	—
HC208	5,030	4,390	3,500	2,760	2,430	2,040	1,680	1,520	1,410	1,330	1,210	—	—
HC209	5,660	4,960	3,730	3,110	2,730	2,300	1,950	1,720	1,590	1,500	1,360	—	—
HC210	6,020	5,250	4,170	3,310	2,890	2,440	2,180	1,820	1,690	1,590	1,440	—	—
HC211	7,450	6,500	5,160	4,100	3,580	3,020	2,480	2,260	2,000	1,970	1,790	—	—
HC212	8,990	7,850	6,230	4,950	4,320	3,640	3,000	2,720	2,530	2,070	—	—	—
HC213	9,833	8,580	6,840	5,410	4,720	3,980	3,280	2,980	2,760	2,595	—	—	—
HC214	10,690	9,330	7,410	5,780	5,130	4,330	3,570	3,240	3,005	2,820	—	—	—
HC215	11,440	9,970	7,930	6,920	5,490	4,630	3,810	3,470	3,210	3,020	—	—	—

NOTE: The values in the table above are based on the insert bearing mounted in the housing.

Set Screw Torque - Set screws should be tightened evenly on the shaft until both are snug. Then each set screw should be further tightened to the torque value within the appropriate limits specified in the following table.

Set Screw Torque Limits

Set Screw Size	Torque Limit (in-lbs.)	
	Minimum	Maximum
10-32	20	22
1/4"-28	31	35
5/16"-28	70	74
3/8"-24	138	143
7/16"-20	200	210

CAUTION: Do not over tighten set screws.