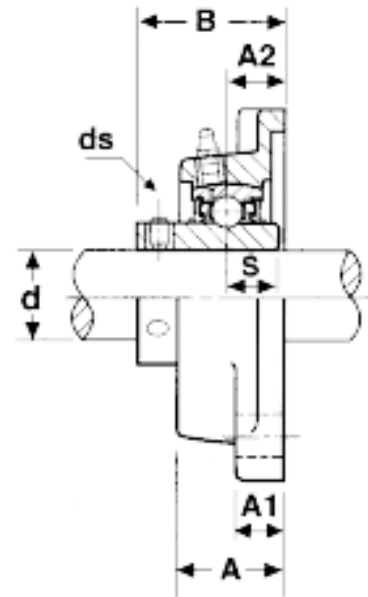
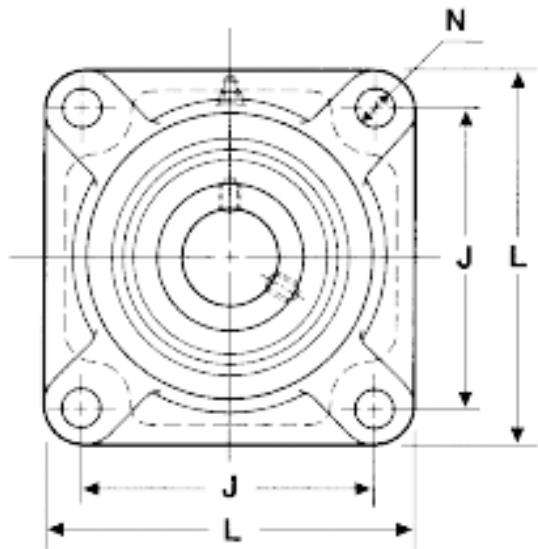
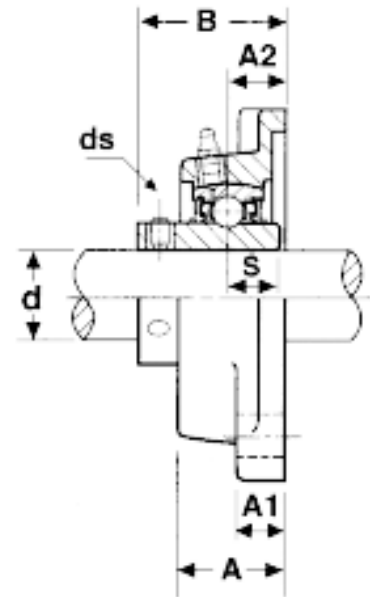
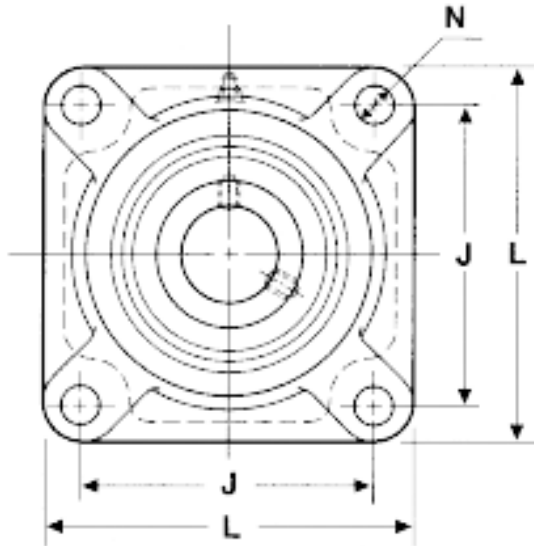


4 Bolt Flange Bearings - UCF Series



Unit No.	Shaft Dia.	Dimensions								Set Screw ds UNF	Bolt Used	Bearing No.	Housing No.
		d	L	J	A2	A1	A	S	N				
UCF201-08	1/2	86	64	15	11	25.5	12.7	11.5	33.3	1/4 28	3/8	UC201-08	F204
		3.3858	2.5197	0.5906	0.4331	1.0039	0.5	0.4528	1.311				
UCF202-10	5/8	86	64	15	11	25.5	12.7	11.5	33.3	1/4 28	3/8	UC202-10	F204
		3.3858	2.5197	0.5906	0.4331	1.0039	0.5	0.4528	1.311				
UCF204-12	3/4	86	64	15	11	25.5	12.7	11.5	33.3	1/4 28	3/8	UC204-12	F204
		3.3858	2.5197	0.5906	0.4331	1.0039	0.5	0.4528	1.311				
UCF205-14	7/8	95	70	16	13	27	14.3	11.5	35.7	1/4 28	3/8	UC205-14	F205
		3.7402	2.7559	0.6299	0.5118	1.063	0.563	0.4528	1.4055				
UCF205-15	15/16	95	70	16	13	27	14.3	11.5	35.7	1/4 28	3/8	UC205-15	F205
		3.7402	2.7559	0.6299	0.5118	1.063	0.563	0.4528	1.4055				
UCF205-16	1	95	70	16	13	27	14.3	11.5	35.7	1/4 28	3/8	UC205-16	F205
		3.7402	2.7559	0.6299	0.5118	1.063	0.563	0.4528	1.4055				
UCF206-17	1-1/16	108	83	18	13	31	15.9	13	40.2	1/4 28	7/16	UC206-17	F206
		4.252	3.2677	0.7087	0.5118	1.2205	0.626	0.5118	1.5827				
UCF206-18	1-1/8	108	83	18	13	31	15.9	13	40.2	1/4 28	7/16	UC206-18	F206
		4.252	3.2677	0.7087	0.5118	1.2205	0.626	0.5118	1.5827				
UCF206-19	1-3/16	108	83	18	13	31	15.9	13	40.2	1/4 28	7/16	UC206-19	F206
		4.252	3.2677	0.7087	0.5118	1.2205	0.626	0.5118	1.5827				
UCF206-20	1-1/4	108	83	18	13	31	15.9	13	40.2	1/4 28	7/16	UC206-20	F206
		4.252	3.2677	0.7087	0.5118	1.2205	0.626	0.5118	1.5827				
UCF207-20	1-1/4	117	92	19	15	34	17.5	13	44.4	5/16 24	7/16	UC207-20	F207
		4.6063	3.622	0.748	0.5906	1.3386	0.689	0.5118	1.748				
UCF207-21	1-5/16	117	92	19	15	34	17.5	13	44.4	5/16 24	7/16	UC207-21	F207
		4.6063	3.622	0.748	0.5906	1.3386	0.689	0.5118	1.748				
UCF207-22	1-3/8	117	92	19	15	34	17.5	13	44.4	5/16 24	7/16	UC207-22	F207
		4.6063	3.622	0.748	0.5906	1.3386	0.689	0.5118	1.748				
UCF207-23	1-7/16	117	92	19	15	34	17.5	13	44.4	5/16 24	7/16	UC207-23	F207
		4.6063	3.622	0.748	0.5906	1.3386	0.689	0.5118	1.748				
UCF208-24	1-1/2	130	102	21	15	36	19	14	51.2	5/16 24	1/2	UC208-24	F208
		5.1181	4.0157	0.8268	0.5906	1.4173	0.748	0.5512	2.0157				
UCF208-25	1-9/16	130	102	21	15	36	19	14	51.2	5/16 24	1/2	UC208-25	F208
		5.1181	4.0157	0.8268	0.5906	1.4173	0.748	0.5512	2.0157				
UCF209-26	1-5/8	137	105	22	16	38	19	16	52.2	5/16 24	9/16	UC209-26	F209
		5.3937	4.1339	0.8661	0.6299	1.4961	0.748	0.6299	2.0551				
UCF209-27	1-11/16	137	105	22	16	38	19	16	52.2	5/16 24	9/16	UC209-27	F209
		5.3937	4.1339	0.8661	0.6299	1.4961	0.748	0.6299	2.0551				



Unit No.	Shaft Dia.	Dimensions								Set Screw ds UNF	Bolt Used	Bearing No.	Housing No.
		d	L	J	A2	A1	A	S	N				
UCF209-28	1-3/4	137	105	22	16	38	19	16	52.2	5/16 24	9/16	UC209-28	F209
		5.3937	4.1339	0.8661	0.6299	1.4961	0.748	0.6299	2.0551				
UCF210-30	1-7/8	143	111	22	16	40	19	16	54.6	3/8 24	9/16	UC210-30	F210
		5.6299	4.3701	0.8661	0.6299	1.5748	0.748	0.6299	2.1496				
UCF210-31	1-15/16	143	111	22	16	40	19	16	54.6	3/8 24	9/16	UC210-31	F210
		5.6299	4.3701	0.8661	0.6299	1.5748	0.748	0.6299	2.1496				
UCF210-32	2	143	111	22	16	40	19	16	54.6	3/8 24	9/16	UC210-32	F210
		5.6299	4.3701	0.8661	0.6299	1.5748	0.748	0.6299	2.1496				
UCF211-32	2	162	130	25	18	43	22.2	19	58.4	3/8 24	5/8	UC211-32	F211
		3.78	5.1181	0.9843	0.7087	1.6929	0.874	0.748	2.2992				
UCF211-34	2-1/8	162	130	25	18	43	22.2	19	58.4	3/8 24	5/8	UC211-34	F211
		3.78	5.1181	0.9843	0.7087	1.6929	0.874	0.748	2.2992				
UCF211-35	2-3/16	162	130	25	18	43	22.2	19	58.4	3/8 24	5/8	UC211-35	F211
		3.78	5.1181	0.9843	0.7087	1.6929	0.874	0.748	2.2992				
UCF212-36	2-1/4	175	143	29	18	48	25.4	19	68.7	3/8 24	5/8	UC212-36	F212
		6.8898	5.6299	1.1417	0.7087	1.8898	1	0.748	2.7047				
UCF212-37	2-5/16	175	143	29	18	48	25.4	19	68.7	3/8 24	5/8	UC212-37	F212
		6.8898	5.6299	1.1417	0.7087	1.8898	1	0.748	2.7047				
UCF212-38	2-3/8	175	143	29	18	48	25.4	19	68.7	3/8 24	5/8	UC212-38	F212
		6.8898	5.6299	1.1417	0.7087	1.8898	1	0.748	2.7047				
UCF212-39	2-7/16	175	143	29	18	48	25.4	19	68.7	3/8 24	5/8	UC212-39	F212
		6.8898	5.6299	1.1417	0.7087	1.8898	1	0.748	2.7047				
UCF213-40	2-1/2	187	149	30	22	50	25.4	19	69.7	3/8 24	5/8	UC213-40	F213
		7.3622	5.8661	1.1811	0.8661	1.9865	1	0.748	2.7441				
UCF214-44	2-3/4	193	152	31	22	54	30.2	19	75.4	7/16 20	11/16	UC214-44	F214
		7.5984	5.9843	1.2205	0.8661	2.126	1.189	0.748	2.9685				
UCF215-47	2-15/16	200	159	34	22	56	33.3	19	78.5	7/16 20	11/16	UC215-47	F215
		7.874	6.2598	1.3386	0.8661	2.2047	1.311	0.748	3.0906				
UCF215-48	3	200	159	34	22	56	33.3	19	78.5	7/16 20	11/16	UC215-48	F215
		7.874	6.2598	1.3386	0.8661	2.2047	1.311	0.748	3.0906				

Bearing Series	Load Ratings												
	Radial load in pounds at various RPM based on 500 hours minimum life.												
	33-1/3 RPM	50 RPM	100 RPM	200 RPM	300 RPM	500 RPM	900 RPM	1,200 RPM	1,500 RPM	1,800 RPM	2,400 RPM	3,600 RPM	5,000 RPM
UC201	2,226	1,940	1,540	1,220	1,070	900	740	670	630	590	540	467	420
UC202	2,226	1,940	1,540	1,220	1,070	900	740	670	630	590	540	467	420
UC204	2,226	1,940	1,540	1,220	1,070	900	740	670	630	590	540	467	420
UC205	2,420	2,120	1,680	1,330	1,170	985	810	730	680	640	580	510	456
UC206	3,370	2,960	2,340	1,860	1,620	1,370	1,120	1,020	950	890	810	710	—
UC207	4,450	3,880	3,090	2,450	2,200	1,810	1,260	1,350	1,250	1,170	1,070	935	—
UC208	5,030	4,390	3,500	2,760	2,430	2,040	1,680	1,520	1,410	1,330	1,210	—	—
UC209	5,660	4,960	3,730	3,110	2,730	2,300	1,950	1,720	1,590	1,500	1,360	—	—
UC210	6,020	5,250	4,170	3,310	2,890	2,440	2,180	1,820	1,690	1,590	1,440	—	—
UC211	7,450	6,500	5,160	4,100	3,580	3,020	2,480	2,260	2,000	1,970	1,790	—	—
UC212	8,990	7,850	6,230	4,950	4,320	3,640	3,000	2,720	2,530	2,070	—	—	—
UC213	9,833	8,580	6,840	5,410	4,720	3,980	3,280	2,980	2,760	2,595	—	—	—
UC214	10,690	9,330	7,410	5,780	5,130	4,330	3,570	3,240	3,005	2,820	—	—	—
UC215	11,440	9,970	7,930	6,920	5,490	4,630	3,810	3,470	3,210	3,020	—	—	—

NOTE: The values in the table above are based on the insert bearing mounted in the housing.

Set Screw Torque - Set screws should be tightened evenly on the shaft until both are snug. Then each set screw should be further tightened to the torque value within the appropriate limits specified in the following table.

Set Screw Torque Limits

Set Screw Size	Torque Limit (in-lbs.)	
	Minimum	Maximum
10-32	20	22
1/4"-28	31	35
5/16"-28	70	74
3/8"-24	138	143
7/16"-20	200	210

CAUTION: Do not over tighten set screws.