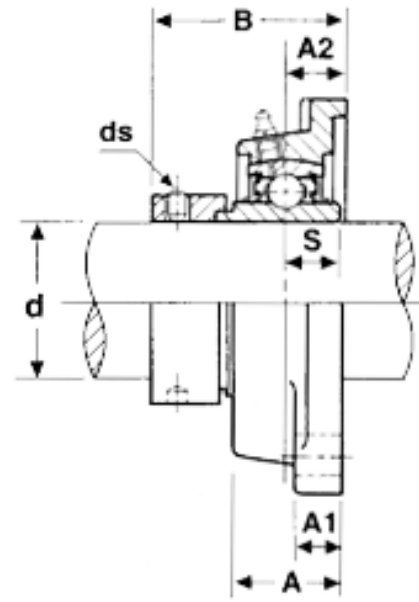
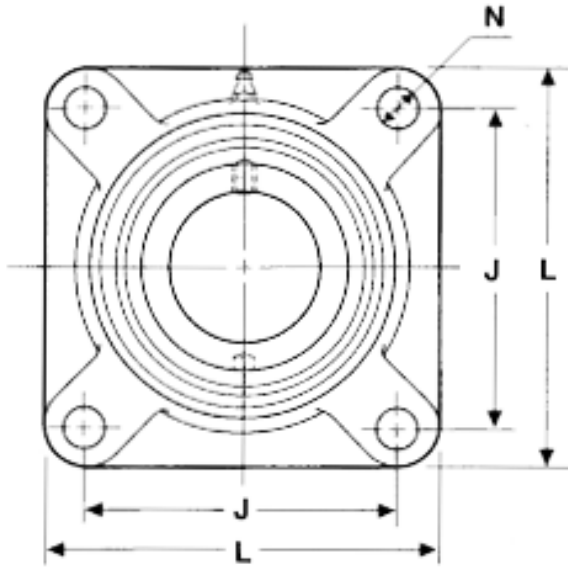
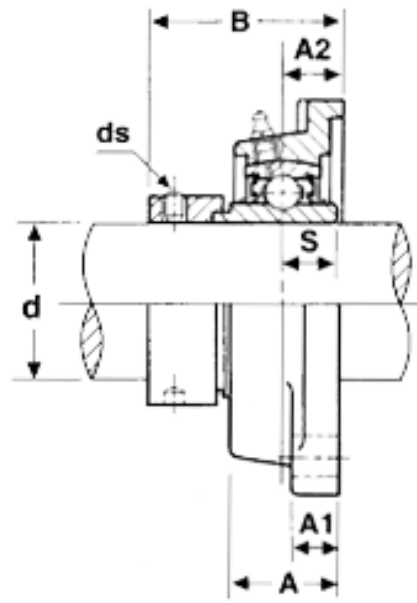
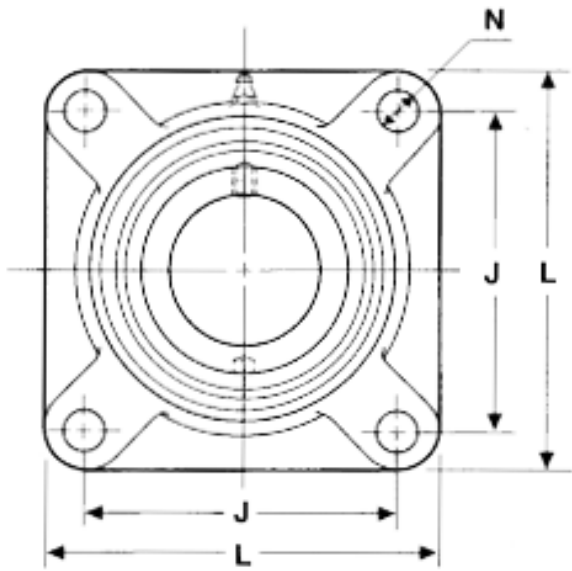


# 4 Bolt Flange Bearings - HCFS Series



Unit No.	Shaft Dia.	Dimensions										Set Screw ds UNF	Bolt Used	Bearing No.	Housing No.
		d	L	J	A2	A1	A	S	N	B	B1				
HCFS201-8	1/2	86	63.5	19	15	29.5	17	11.5	45.5	43.5	1/4 28	3/8	HC201-8	FS204	
		3.3858	2.5	0.748	0.5906	1.1614	0.6693	0.4528	1.7913	1.7126					
HCFS202-10	5/8	86	63.5	19	15	29.5	17	11.5	45.5	43.5	1/4 28	3/8	HC202-10	FS204	
		3.3858	2.5	0.748	0.5906	1.1614	0.6693	0.4528	1.7913	1.7126					
HCFS204-12	3/4	86	63.5	19	15	29.5	17	11.5	45.5	43.5	1/4 28	3/8	HC204-12	FS204	
		3.3858	2.5	0.748	0.5906	1.1614	0.6693	0.4528	1.7913	1.7126					
HCFS205-14	7/8	93	70	19	15	30	17.4	11.5	45.9	44.3	1/4 28	3/8	HC205-14	FS205	
		3.6614	2.7559	0.748	0.5906	1.1811	0.685	0.4528	1.8071	1.7441					
HCFS205-15	15/16	93	70	19	15	30	17.4	11.5	45.9	44.3	1/4 28	3/8	HC205-15	FS205	
		3.6614	2.7559	0.748	0.5906	1.1811	0.685	0.4528	1.8071	1.7441					
HCFS205-16	1	93	70	19	15	30	17.4	11.5	45.9	44.3	1/4 28	3/8	HC205-16	FS205	
		3.6614	2.7559	0.748	0.5906	1.1811	0.685	0.4528	1.8071	1.7441					
HCFS206-17	1-1/16	106	82.5	20	16	32.5	18.2	13	50.1	48.3	1/4 28	7/16	HC206-17	FS206	
		4.1732	3.248	0.7874	0.6299	1.2795	0.7165	0.5118	1.9724	1.9016					
HCFS206-18	1-1/8	106	82.5	20	16	32.5	18.2	13	50.1	48.3	1/4 28	7/16	HC206-18	FS206	
		4.1732	3.248	0.7874	0.6299	1.2795	0.7165	0.5118	1.9724	1.9016					
HCFS206-19	1-3/16	106	82.5	20	16	32.5	18.2	13	50.1	48.3	1/4 28	7/16	HC206-19	FS206	
		4.1732	3.248	0.7874	0.6299	1.2795	0.7165	0.5118	1.9724	1.9016					
HCFS206-20	1-1/4	106	82.5	20	16	32.5	18.2	13	50.1	48.3	1/4 28	7/16	HC206-20	FS206	
		4.1732	3.248	0.7874	0.6299	1.2795	0.7165	0.5118	1.9724	1.9016					
HCFS207-20	1-1/4	116	92	21	17	35	18.8	13	53.3	51.1	5/16 24	7/16	HC207-20	FS207	
		4.5869	3.622	0.8268	0.6693	1.378	0.7402	0.5118	2.0984	2.0118					
HCFS207-21	1-5/16	116	92	21	17	35	18.8	13	53.3	51.1	5/16 24	7/16	HC207-21	FS207	
		4.5869	3.622	0.8268	0.6693	1.378	0.7402	0.5118	2.0984	2.0118					
HCFS207-22	1-3/8	116	92	21	17	35	18.8	13	53.3	51.1	5/16 24	7/16	HC207-22	FS207	
		4.5869	3.622	0.8268	0.6693	1.378	0.7402	0.5118	2.0984	2.0118					
HCFS207-23	1-7/16	116	92	21	17	35	18.8	13	53.3	51.1	5/16 24	7/16	HC207-23	FS207	
		4.5869	3.622	0.8268	0.6693	1.378	0.7402	0.5118	2.0984	2.0118					
HCFS208-24	1-1/2	129	101.5	24	17	39	21.4	14	58.9	56.3	5/16 24	1/2	HC208-24	FS208	
		5.0787	3.9961	0.9449	0.6693	1.5354	0.8425	0.5512	2.3189	2.2165					
HCFS208-25	1-9/16	129	101.5	24	17	39	21.4	14	58.9	56.3	5/16 24	1/2	HC208-25	FS208	
		5.0787	3.9961	0.9449	0.6693	1.5354	0.8425	0.5512	2.3189	2.2165					
HCFS209-26	1-5/8	135	105	24	18	40	21.4	16	58.9	56.3	5/16 24	9/16	HC209-26	FS209	
		5.315	4.1339	0.9449	0.7087	1.5748	0.8425	0.6299	2.3189	2.2165					
HCFS209-27	1-11/16	135	105	24	18	40	21.4	16	58.9	56.3	5/16 24	9/16	HC209-27	FS209	
		5.315	4.1339	0.9449	0.7087	1.5748	0.8425	0.6299	2.3189	2.2165					



Unit No.	Shaft Dia.	Dimensions									Set Screw ds UNF	Bolt Used	Bearing No.	Housing No.
		d	L	J	A2	A1	A	S	N	B				
HCFS209-28	1-3/4	135	105	24	18	40	21.4	16	58.9	56.3	5/16 24	9/16	HC209-28	FS209
HCFS210-30	1-7/8	143	111	28	20	45	24.6	16	66.1	62.7	3/8 24	9/16	HC210-30	FS210
		5.6299	4.3701	1.1024	0.7874	1.7717	0.9685	0.6299	2.6024	2.4685				
HCFS210-31	1-15/16	143	111	28	20	45	24.6	16	66.1	62.7	3/8 24	9/16	HC210-31	FS210
		5.6299	4.3701	1.1024	0.7874	1.7717	0.9685	0.6299	2.6024	2.4685				
HCFS210-32	2	143	111	28	20	45	24.6	16	66.1	62.7	3/8 24	9/16	HC210-32	FS210
		5.6299	4.3701	1.1024	0.7874	1.7717	0.9685	0.6299	2.6024	2.4685				
HCFS211-32	2	162	130	31	21	49	27.7	17	74.6	71.3	3/8 24	5/8	HC211-32	FS211
		6.378	5.1181	1.2205	0.8268	1.9291	1.0906	0.6693	2.937	2.8071				
HCFS211-34	2-1/8	162	130	31	21	49	27.7	17	74.6	71.3	3/8 24	5/8	HC211-34	FS211
		6.378	5.1181	1.2205	0.8268	1.9291	1.0906	0.6693	2.937	2.8071				
HCFS211-35	2-3/16	162	130	31	21	49	27.7	17	74.6	71.3	3/8 24	5/8	HC211-35	FS211
		6.378	5.1181	1.2205	0.8268	1.9291	1.0906	0.6693	2.937	2.8071				
HCFS212-36	2-1/4	175	143	34	22	53.5	30.9	17	80.8	77.7	3/8 24	5/8	HC212-36	FS212
		6.8898	5.6299	1.3386	0.8661	2.1063	1.2165	0.6693	3.1811	3.0591				
HCFS212-37	2-5/16	175	143	34	22	53.5	30.9	17	80.8	77.7	3/8 24	5/8	HC212-37	FS212
		6.8898	5.6299	1.3386	0.8661	2.1063	1.2165	0.6693	3.1811	3.0591				
HCFS212-38	2-3/8	175	143	34	22	53.5	30.9	17	80.8	77.7	3/8 24	5/8	HC212-38	FS212
		6.8898	5.6299	1.3386	0.8661	2.1063	1.2165	0.6693	3.1811	3.0591				
HCFS212-39	2-7/16	175	143	34	22	53.5	30.9	17	80.8	77.7	3/8 24	5/8	HC212-39	FS212
		6.8898	5.6299	1.3386	0.8661	2.1063	1.2165	0.6693	3.1811	3.0591				
HCFS213-40	2-1/2	184	149	38	22	58	34.1	18	89.6	85.7	7/16 20	5/8	HC213-40	FS213
		7.2441	5.8661	1.4961	0.8661	2.28	1.3425	0.7087	3.5276	3.374				
HCFS214-44	2-3/4	188	152	38	23	60	34.1	18	89.6	85.7	7/16 20	5/8	HC214-44	FS214
		7.4016	5.9843	1.4961	0.9055	2.36	1.3425	0.7087	3.5276	3.374				
HCFS215-47	2-15/16	200	152.4	41	24	62	37.3	20	95.8	92.1	7/16 20	5/8	HC215-47	FS215
		7.874	6	1.6142	0.9449	2.4409	1.4685	0.7874	3.7717	3.626				
HCFS215-48	3	200	152.4	41	24	62	37.3	20	95.8	92.1	7/16 20	5/8	HC215-48	FS215
		7.874	6	1.6142	0.9449	2.4409	1.4685	0.7874	3.7717	3.626				

Bearing Series	Load Ratings												
	Radial load in pounds at various RPM based on 500 hours minimum life.												
	33-1/3 RPM	50 RPM	100 RPM	200 RPM	300 RPM	500 RPM	900 RPM	1,200 RPM	1,500 RPM	1,800 RPM	2,400 RPM	3,600 RPM	5,000 RPM
HC201	2,226	1,940	1,540	1,220	1,070	900	740	670	630	590	540	467	420
HC202	2,226	1,940	1,540	1,220	1,070	900	740	670	630	590	540	467	420
HC204	2,226	1,940	1,540	1,220	1,070	900	740	670	630	590	540	467	420
HC205	2,420	2,120	1,680	1,330	1,170	985	810	730	680	640	580	510	456
HC206	3,370	2,960	2,340	1,860	1,620	1,370	1,120	1,020	950	890	810	710	—
HC207	4,450	3,880	3,090	2,450	2,200	1,810	1,260	1,350	1,250	1,170	1,070	935	—
HC208	5,030	4,390	3,500	2,760	2,430	2,040	1,680	1,520	1,410	1,330	1,210	—	—
HC209	5,660	4,960	3,730	3,110	2,730	2,300	1,950	1,720	1,590	1,500	1,360	—	—
HC210	6,020	5,250	4,170	3,310	2,890	2,440	2,180	1,820	1,690	1,590	1,440	—	—
HC211	7,450	6,500	5,160	4,100	3,580	3,020	2,480	2,260	2,000	1,970	1,790	—	—
HC212	8,990	7,850	6,230	4,950	4,320	3,640	3,000	2,720	2,530	2,070	—	—	—
HC213	9,833	8,580	6,840	5,410	4,720	3,980	3,280	2,980	2,760	2,595	—	—	—
HC214	10,690	9,330	7,410	5,780	5,130	4,330	3,570	3,240	3,005	2,820	—	—	—
HC215	11,440	9,970	7,930	6,920	5,490	4,630	3,810	3,470	3,210	3,020	—	—	—

NOTE: The values in the table above are based on the insert bearing mounted in the housing.

**Set Screw Torque** - Set screws should be tightened evenly on the shaft until both are snug. Then each set screw should be further tightened to the torque value within the appropriate limits specified in the following table.

### Set Screw Torque Limits

Set Screw Size	Torque Limit ( in-lbs. )	
	Minimum	Maximum
10-32	20	22
1/4"-28	31	35
5/16"-28	70	74
3/8"-24	138	143
7/16"-20	200	210

CAUTION: Do not over tighten set screws.