

Product Data Sheet**Standard Features:**

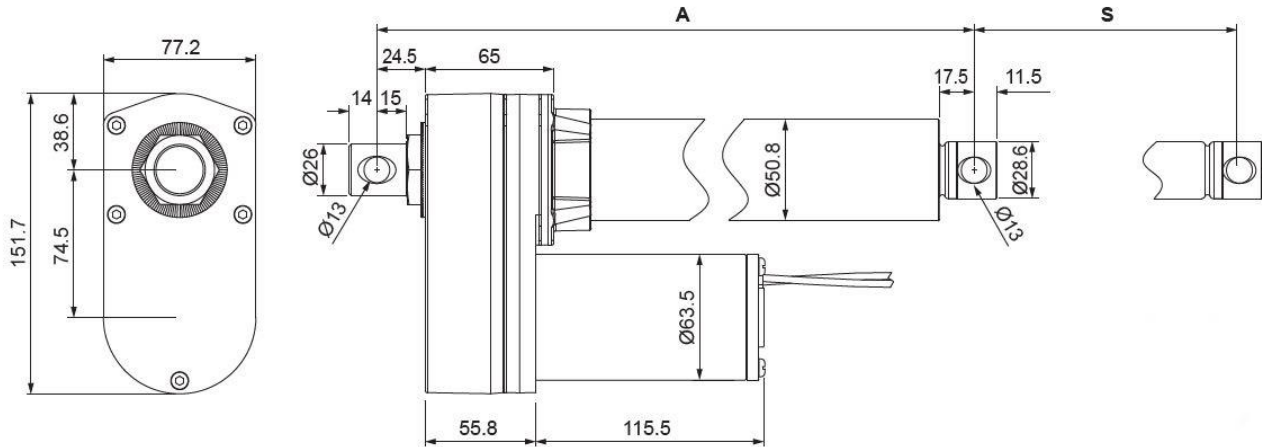
- Carbon steel frame with 304 stainless steel extension tube
 - Aluminum gearbox housing
- Nominal stroke lengths: 4", 6", 8", 12", 18", 24", [other stroke lengths available]
- Input voltage: 12VDC, 24VDC
- Standard gear ratio: 20:1 [other ratios available]
- Dynamic load range: 562 lbs. [2,500 Newtons] -to- 1,574 lbs. [7,000 Newtons]
- Maximum static load: 3,057 lbs. [13,600 Newtons] (Ball Screw)
- Maximum current draw (at full load): 11.0 -to- 26.4 Amps @ 12 VDC
- Speed at no load: 0.33 in/sec [8.4 mm/sec] -to- 2.64 in/sec [67.1 mm/sec]
- Speed at full load: 0.29 in/sec [7.4 mm/sec] -to- 1.86 in/sec [47.2 mm/sec]
- Overload clutch
- Mounting hole diameter (both ends): 1/2" [13mm]
- Duty cycle: 25% or 2 min continuous operation in 8 min.
- Working temperature: -13F [-25C] to +149F [+65C]
- IP rating: IP65

Accessories:

- Mounting brackets
- Direction reversing switches
- Direction reversing relays
- Direction reversing wireless controllers

Dimensions

Standard (without Limit Switches or Potentiometer)



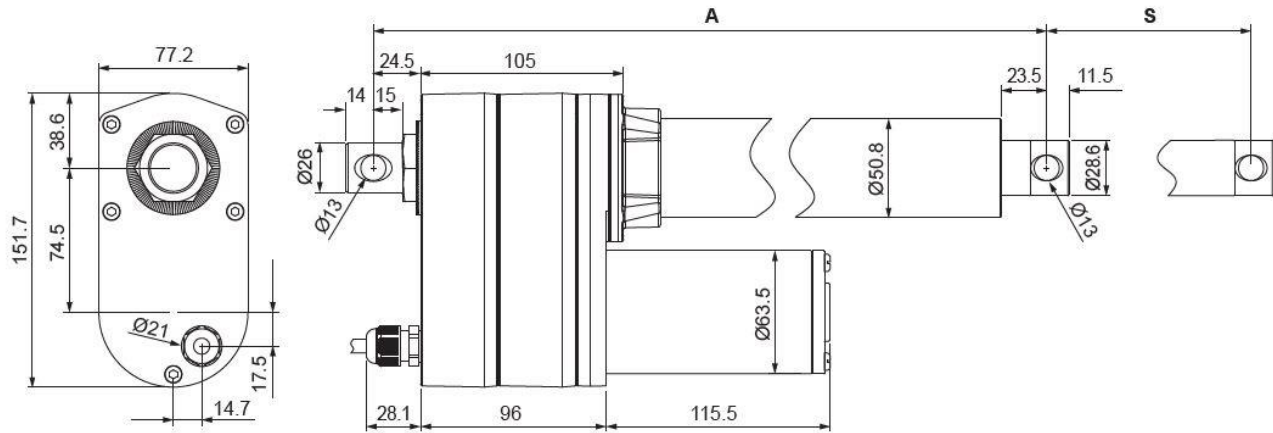
Nominal Stroke	4"		6"		8"		12"		18"		24"	
	in	mm	in	mm	in	mm	in	mm	in	mm	in	mm
Actual Stroke (S)	3.31	84	5.31	135	7.32	186	11.34	288	17.99	457	24.02	610
Retracted Length (A)	12.05	306	14.06	357	16.06	408	20.08	510	29.02	737	35.04	890
Extended Length	15.35	390	19.37	492	23.39	594	31.42	798	47.01	1194	59.06	1500

Stroke: +/- 0.2 in [5mm]

Retracted length: +/- 0.12 in [3mm]

Dimensions

With Potentiometer Only



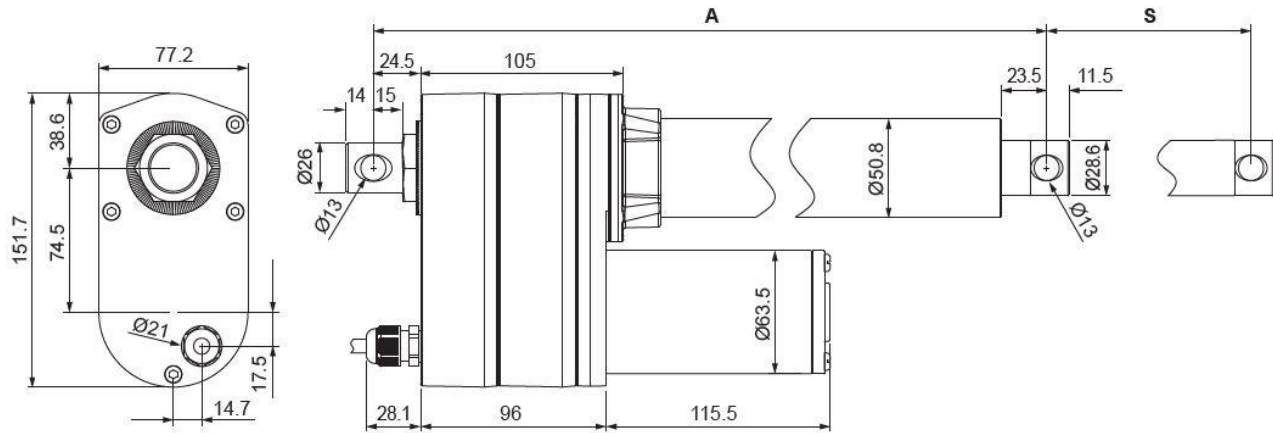
Nominal Stroke	4"		6"		8"		12"		18"		24"	
	in	mm	in	mm	in	mm	in	mm	in	mm	in	mm
Actual Stroke (S)	3.31	84	5.31	135	7.32	186	11.34	288	17.99	457	24.02	610
Retracted Length (A)	13.62	346	15.63	397	17.64	448	21.65	550	30.59	777	36.61	930
Extended Length	16.93	430	20.94	532	24.96	634	32.99	838	48.58	1234	60.63	1540

Stroke: +/- 0.2 in [5mm]

Retracted length: +/- 0.12 in [3mm]

Dimensions

With Only Limit Switches or Limit Switches and Potentiometer



Nominal Stroke	4"		6"		8"		12"		18"		24"	
	in	mm	in	mm	in	mm	in	mm	in	mm	in	mm
Actual Stroke (S)	2.80	71	4.80	122	6.81	173	10.83	275	17.56	446	23.58	599
Retracted Length (A)	13.86	352	15.87	403	17.87	454	21.89	556	30.83	783	36.85	936
Extended Length	16.65	423	20.67	525	24.69	627	32.72	831	48.39	1229	60.43	1535

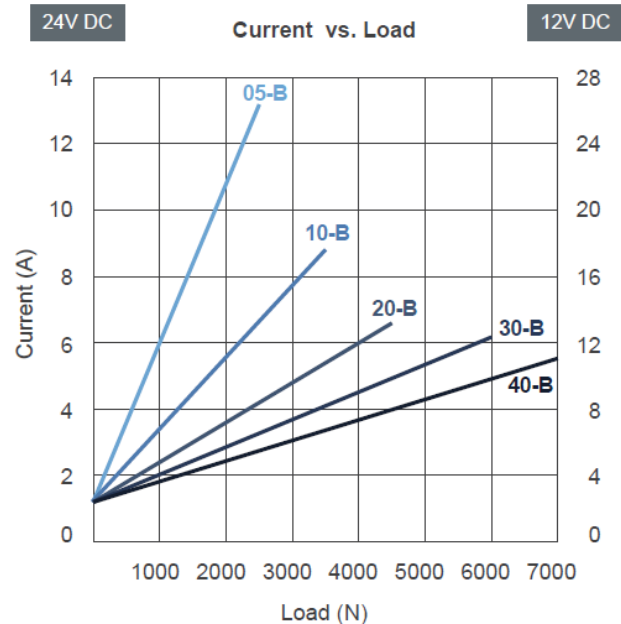
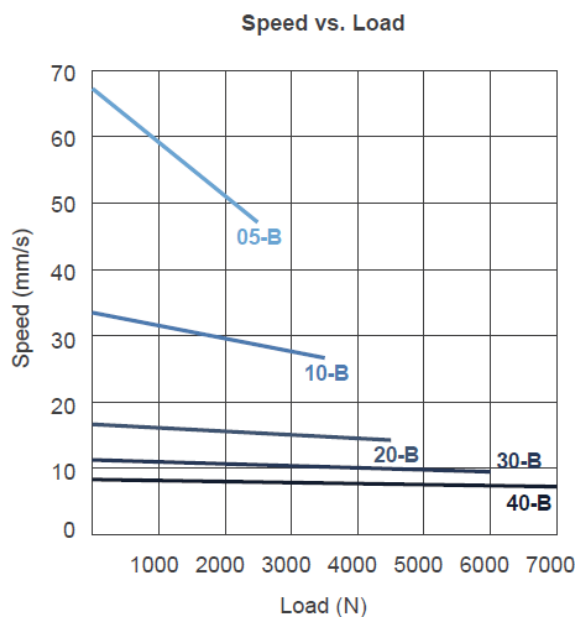
Stroke: +/- 0.2 in [5mm]

Retracted length: +/- 0.12 in [3mm]

Performance Data

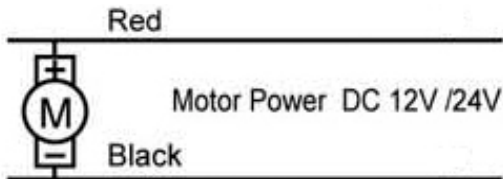
Gear Ratio	Max Load/Dynamic		Speed/No Load		Speed/Max Load	
	Lbs. [US]	Newtons	inches/sec	mm/sec	inches/sec	mm/sec
5:1	562	2500	2.64	67.1	1.86	47.2
10:1	787	3500	1.32	33.5	1.05	26.7
20:1	1012	4500	0.66	16.8	0.56	14.3
30:1	1349	6000	0.44	11.2	0.39	9.8
40:1	1574	7000	0.33	8.4	0.29	7.4

Gear Ratio	Typical Current (A)			
	No Load		Full Load	
	12 VDC	24 VDC	12 VDC	24 VDC
5:1	2.4	1.2	26.4	13.2
10:1	2.4	1.2	17.6	8.8
20:1	2.4	1.2	13.2	6.6
30:1	2.4	1.2	12.1	6.1
40:1	2.4	1.2	11.0	5.5



Electrical

Standard



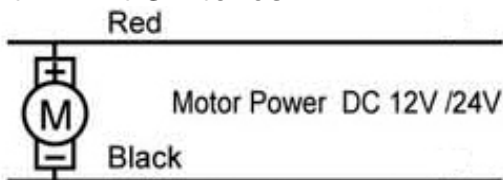
Gear Ratio: 5:1, 10:1, 20:1

Red + // Black - : Extend
Red - // Black + : Retract

Gear Ratio: 30:1, 40:1

Red + // Black - : Retract
Red - // Black + : Extend

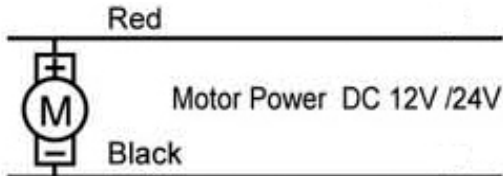
With Limit Switches



Gear Ratio: 5:1, 10:1, 20:1, 30:1, 40:1

Red + // Black - : Extend
Red - // Black + : Retract

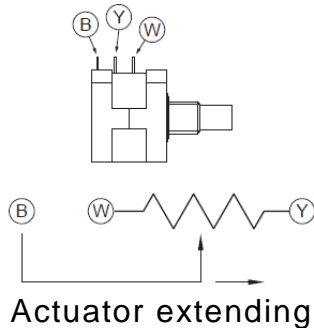
With Potentiometer (or Limit Switches and Potentiometer)



Gear Ratio: 5:1, 10:1, 20:1, 30:1, 40:1

Red + // Black - : Extend
Red - // Black + : Retract

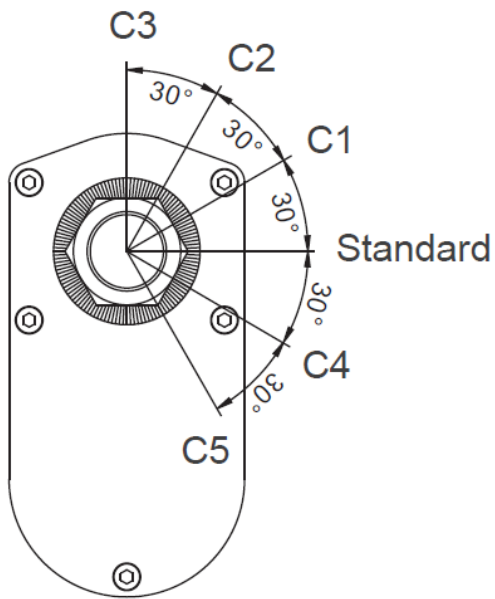
Potentiometer



When fully retracted, the potentiometer reading will be in the range of 0 - 600Ω (between the blue and the white wires).

When fully extended, the potentiometer reading will be in the range of 8K - 10KΩ (between the blue and the white wires).

Base Stud Mount Hole Orientation



Ordering Key

LACT - -

Stroke (nominal)

- 4 : 4" [102mm]
- 6 : 6" [153mm]
- 8 : 8" [203mm]
- 12 : 12" [305mm]
- 18 : 18" [457mm]
- 24 : 24" [610mm]

Additional stroke lengths available

Drive Type

1000B : Ball Screw (1012 lbs. @ 20:1)

Potentiometer

P: Has a potentiometer
<Blank>: If no potentiometer

Limit Switches

L: Has limit switches
<Blank>: If no limit switches

Options

Gear Ratio	12 VDC	24 VDC
5:1	C	G
10:1	D	H
20:1	<Blank>	I
30:1	E	J
40:1	F	K

- Not all combinations stocked
- 48 VDC available by special request

Terms of Use

The user is responsible for determining the suitability of Concentric International products for specific applications. Due to continuous development in order to improve its products, Concentric International products are subject to change without prior notice. Concentric International reserves the right to discontinue the sale of any products at any time.