

Product Data Sheet



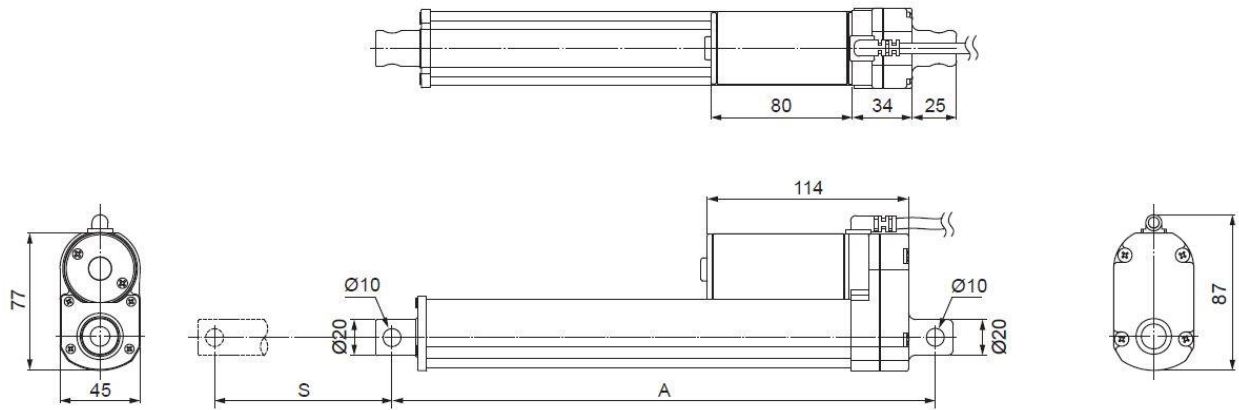
Standard Features:

- Compact design
- All aluminum frame and extension tube
- Nominal stroke lengths: 4" [100mm], 6" [150mm], 8" [200mm], 10" [250mm], 12" [300mm]
- Input voltage: 12VDC, 24VDC
- Standard gear ratio: 20:1 [other ratios available]
- Dynamic load range: 112 lbs. [500 Newtons] –to- 562 lbs. [2,500 Newtons]
- Maximum static load: 337 lbs. [1,500 Newtons] (10:1 gear ratio)
1,012 lbs. [4,500 Newtons] (20, 30, 40, 50:1 gear ratios)
- Maximum current draw: 4.6 Amps @ 12 VDC
- Speed at no load: 0.24 in/sec [6.2 mm/sec] –to- 1.06 in/sec [26.8 mm/sec]
- Speed at full load: 0.17 in/sec [4.4 mm/sec] –to- 0.73 in/sec [18.6 mm/sec]
- Standard preset limit switches at both ends of stroke
- Noise level: ≤70dB
- Mounting hole diameter (both ends): 3/8" [10mm]
- Duty cycle: 25% or 1 min continuous operation in 4 min.
- Working temperature: -13F [-25C] to +149F [+65C]
- IP rating: IP65, (IP69K – Special Order)
- Certified: CE marking, EMC Directive 2014/30/EU

Accessories:

- Mounting brackets
- Wired and wireless controllers
- Direction reversing relays
- Direction reversing switches

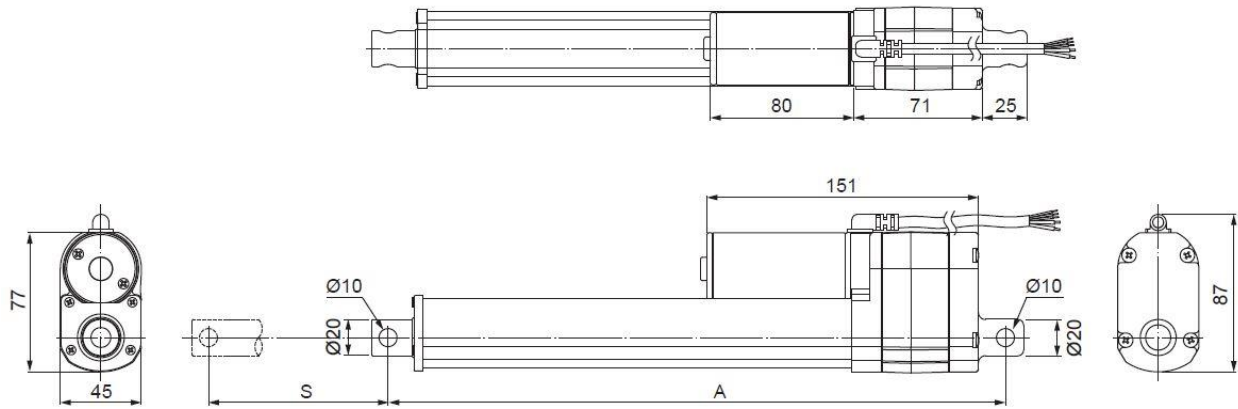
Dimensions – Without Potentiometer, With or Without Hall Effect Sensors



Unit: mm

Nominal Stroke	4"		6"		8"		10"		12"	
	in	mm	in	mm	in	mm	in	mm	in	mm
Actual Stroke (S)	3.94	100	5.91	150	7.87	200	9.84	250	11.81	300
Retracted Length (A)	8.07	205	10.04	255	12.01	305	13.98	355	15.94	405
Extended Length	12.01	305	15.94	405	19.88	505	23.82	605	27.76	705

Dimensions – With Potentiometer



Unit: mm

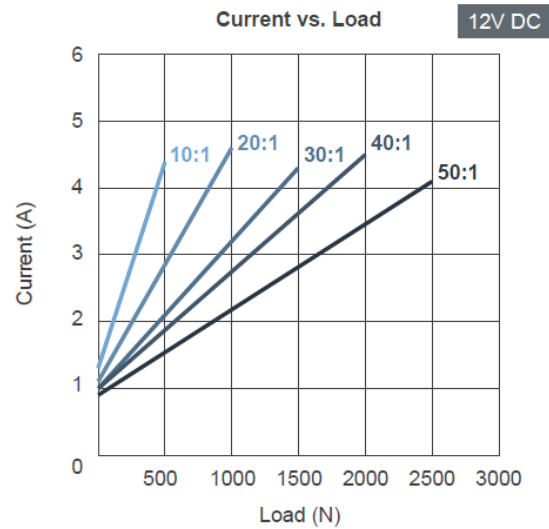
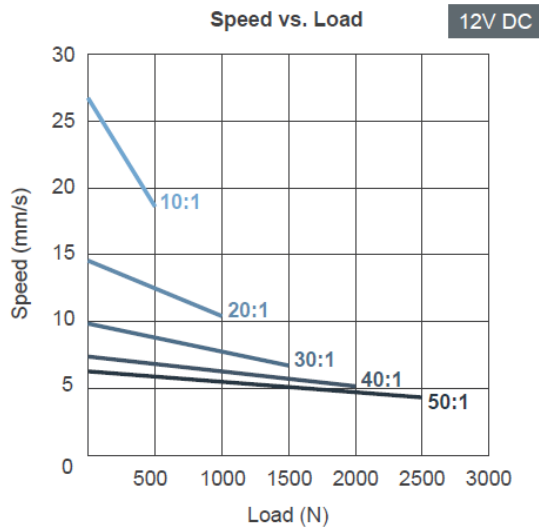
Nominal Stroke	4"		6"		8"		10"		12"	
	in	mm	in	mm	in	mm	in	mm	in	mm
Actual Stroke (S)	3.94	100	5.91	150	7.87	200	9.84	250	11.81	300
Retracted Length (A)	9.53	242	11.50	292	13.46	342	15.43	392	17.40	442
Extended Length	13.47	342	17.41	442	21.33	542	25.27	642	29.21	742

Performance Data

12V

Gear Ratio	Max Load/Dynamic		Speed/No Load/12V		Speed/Max Load/12V	
	Lbs. [US]	Newtons	inches/Sec	mm/Sec	inches/Sec	mm/Sec
10:1	112	500	1.06	26.8	0.73	18.6
20:1	225	1000	0.58	14.7	0.41	10.4
30:1	337	1500	0.39	9.9	0.27	6.8
40:1	450	2000	0.29	7.4	0.20	5.1
50:1	562	2500	0.24	6.2	0.17	4.4

Gear Ratio	Typical Current (A)	
	No Load	Full Load
	12 VDC	12 VDC
10:1	1.3	4.4
20:1	1.1	4.6
30:1	1.0	4.3
40:1	1.0	4.5
50:1	0.9	4.1

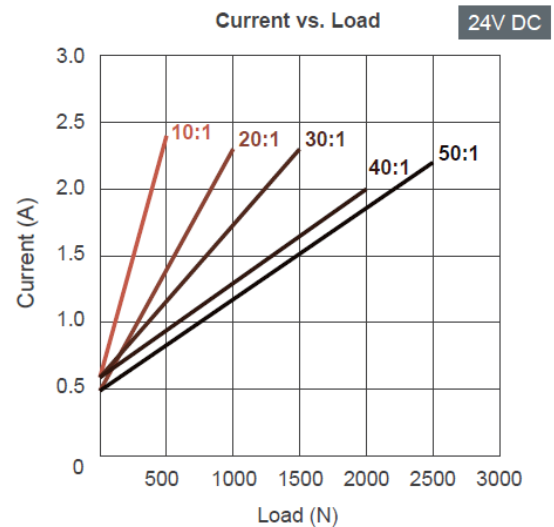
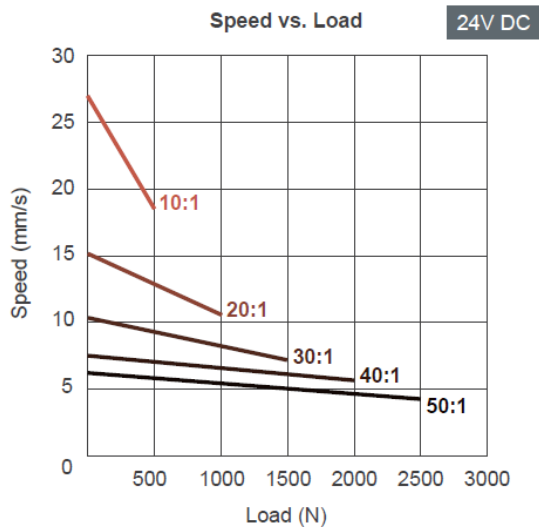


Performance Data

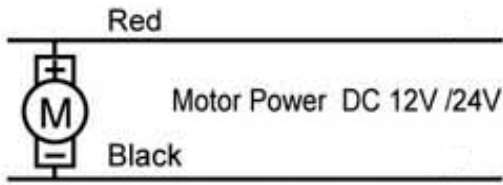
24V

Gear Ratio	Max Load/Dynamic		Speed/No Load/24V		Speed/Max Load/24V	
	Lbs. [US]	Newtons	inches/Sec	mm/Sec	inches/Sec	mm/Sec
10:1	112	500	1.06	27.0	0.74	18.7
20:1	225	1000	0.59	15.1	0.42	10.7
30:1	337	1500	0.41	10.3	0.28	7.2
40:1	450	2000	0.30	7.6	0.22	5.7
50:1	562	2500	0.24	6.1	0.17	4.4

Gear Ratio	Typical Current (A)	
	No Load	Full Load
	24 VDC	24 VDC
10:1	0.6	2.4
20:1	0.5	2.3
30:1	0.6	2.3
40:1	0.6	2.0
50:1	0.5	2.2

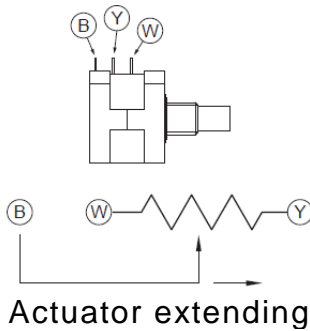


Electrical



Without Potentiometer
 Red + // Black - : Extend
 Red - // Black + : Retract

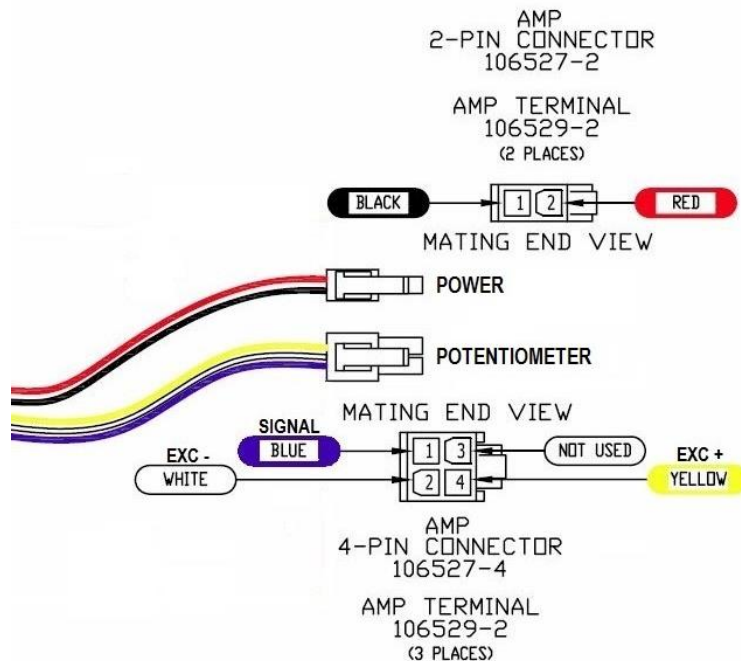
With Potentiometer
 Red + // Black - : Retract
 Red - // Black + : Extend



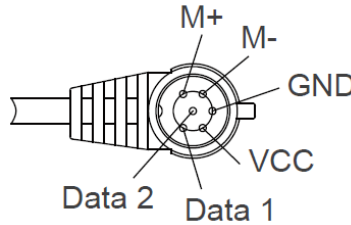
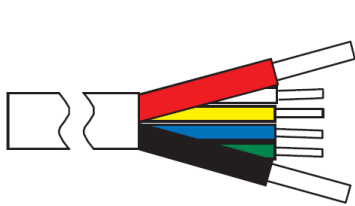
When fully retracted, the potentiometer reading will be in the range of 0 - 600Ω (between the blue and the white wires).

When fully extended, the potentiometer reading will be in the range of 8K - 10KΩ (between the blue and the white wires).

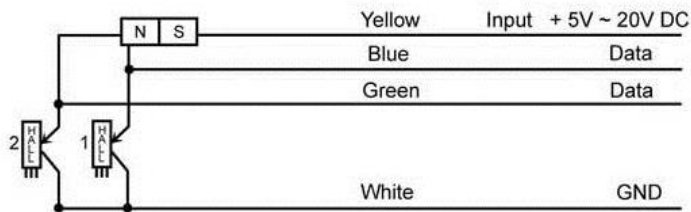
Connector Wiring



Hall Effect Sensor



Red M+
Black M-
White GND
Yellow VCC
Blue Data 1
Green Data 2



25 ma. maximum sink current

Gear Ratio	Signal Resolution	
	Pulses/in	Pulses/mm
10	65.02	2.56
20	120.65	4.75
30	181.86	7.16
40	245.36	9.66
50	300.23	11.82

Ordering Key

MD -

Input Voltage

12 : 12 VDC
24 : 24 VDC

Gear Ratio

10 : 10:1
20 : 20:1 – Standard gear ratio
30 : 30:1
40 : 40:1
50 : 50:1
Not all gear ratios stocked

Stroke (nominal)

04 : 4" [100 mm]
06 : 6" [150 mm]
08 : 8" [200 mm]
10 : 10" [250 mm]
12 : 12" [300 mm]
Additional stroke lengths available

Option

Blank : Without Hall Sensor or Potentiometer
H2 : Dual Hall Sensor
P: Potentiometer

IP Rating

<Blank> : IP65
69 : IP69K

- Not all combinations stocked

Terms of Use

The user is responsible for determining the suitability of Concentric International products for specific applications. Due to continuous development in order to improve its products, Concentric International products are subject to change without prior notice. Concentric International reserves the right to discontinue the sale of any products at any time.