

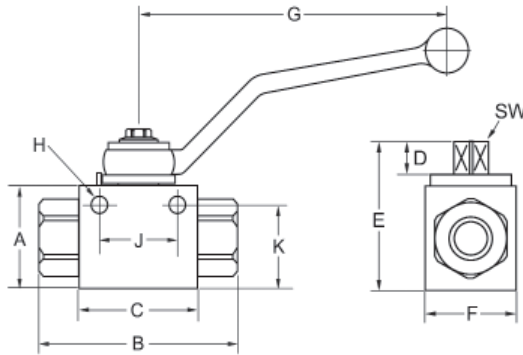
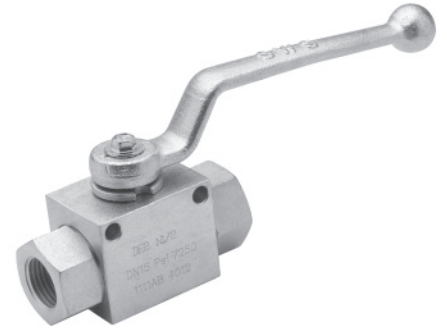


FLUID COMPONENTS, INC.

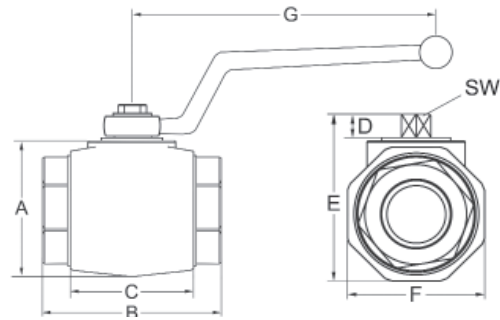
# DE2/DB2 High Pressure Series 2-way Ball Valves

## Features

- Rugged Carbon Steel Construction
- Mounting Holes on DE models
- 1/4" - 2" Sizes - NPT and SAE
- Blow-Out Proof Stems
- Standard Seals: Buna-N;
- Chrome-plated Steel Ball
- Max Pressure: Up to 7250 psi
- Max Temperature: 215°F



DE Model



DB Model

## Model #'s & Dimensional Information

Model #	Thread	psi	Port	A	B	C	D	E	F	G	H	J	K	SW
DE2-14NPT	1/4" NPT	7250	.24	1.27	2.71	1.45	.37	1.75	1.10	4.51	.18	1.03	1.05	.32
DE2-38NPT	3/8" NPT	7250	.39	1.58	2.84	1.65	.41	2.08	1.27	4.51	.26	1.24	1.38	.32
DE2-12NPT	1/2" NPT	7250	.51	1.58	3.27	1.90	.41	2.08	1.39	4.51	.26	1.46	1.38	.32
DE2-34NPT	3/4" NPT	5800	.79	2.25	3.74	2.36	.55	2.97	1.90	6.38	.26	1.76	1.99	.39
DE2-1-NPT	1" NPT	5000	.98	2.53	4.45	2.56	.55	3.25	2.25	6.38	.26	2.17	2.29	.39
DB2-114-NPT	1 1/4" NPT	5000	1.26	3.43	4.72	3.31	.63	4.26	3.22	9.00	-	-	-	.51
DB2-112-NPT	1 1/2" NPT	5000	1.57	3.92	5.13	3.58	.63	5.01	3.66	9.00	-	-	-	.51
DB2-2-NPT	2" NPT	5000	1.97	4.52	5.52	3.94	.63	5.33	4.31	9.00	-	-	-	.51

Model #	Thread	psi	Port	A	B	C	D	E	F	G	H	J	K	SW
DE2-04-SAE	7/16"-20	7250	.24	1.27	2.71	1.45	.37	1.75	1.10	4.51	.18	1.03	1.05	.32
DE2-06-SAE	9/16"-18	7250	.39	1.58	2.84	1.65	.41	2.08	1.27	4.51	.26	1.24	1.38	.32
DE2-08-SAE	3/4"-16	7250	.51	1.58	3.27	1.90	.41	2.08	1.39	4.51	.26	1.46	1.38	.32
DE2-12-SAE	1 1/16"-12	5800	.79	2.25	3.74	2.36	.55	2.97	1.90	6.38	.26	1.76	1.99	.39
DE2-16-SAE	1 5/16"-12	5000	.98	2.53	4.45	2.56	.55	3.25	2.25	6.38	.26	2.17	2.29	.39
DB2-20-SAE	1 5/8"-12	5000	1.26	3.43	4.72	3.31	.63	4.26	3.22	9.00	-	-	-	.51
DB2-24-SAE	1 7/8"-12	5000	1.57	3.92	5.13	3.58	.63	5.01	3.66	9.00	-	-	-	.51
DB2-32-SAE	2 1/2"-12	5000	1.97	4.52	5.52	3.94	.63	5.33	4.31	9.00	-	-	-	.51