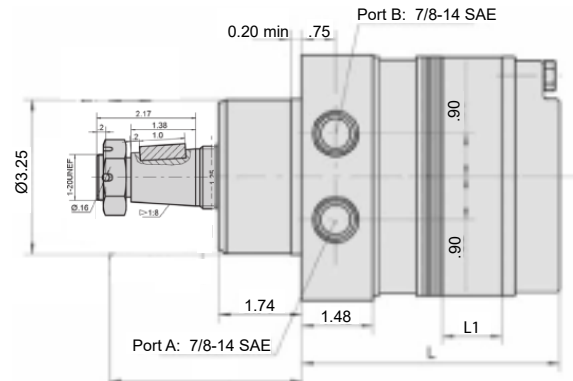
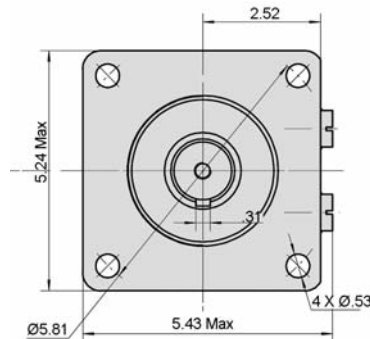


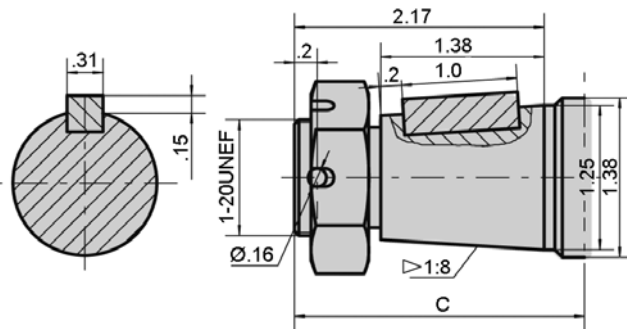
BMER Dimensions

WS - Wheel Drive

Motor Size	L	L1
125	4.68"	0.40"
160	4.80"	0.53"
200	4.94"	0.67"
230	5.04"	0.77"
250	5.14"	0.87"
300	5.30"	1.00"
350	5.43"	1.16"
375	5.53"	1.25"
475	5.83"	1.55"
540	6.14"	1.86"
750	6.93"	2.50"



T4 - 1 1/4" Tapered



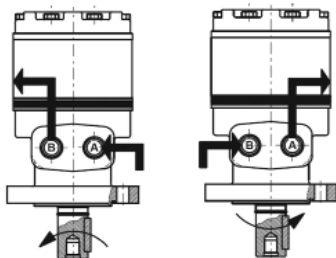
Dimension "C"

From Mounting Flange to Shaft End

Shaft Code	Wheel Mount (WS)
T4	4.21"

Shaft Rotation Direction

- When looking at the shaft end of motor, shaft will rotate:
- Clockwise when port "B" is pressurized.
 - Counter-clockwise when port "A" is pressurized.



Radial Load Capacity

Wheel Mount

Side Load-(daN)

