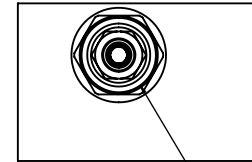
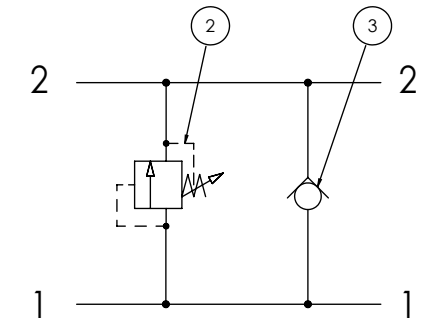


SPECIFICATIONS:

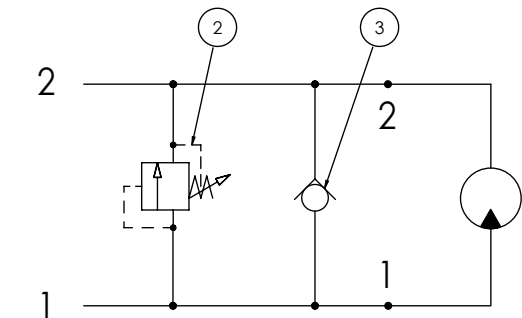
MANIFOLD MATERIAL: ALUMINUM 6061-T6
 MANIFOLD FINISH: CLEAR ANODIZE
 MAXIMUM PRESSURE: 3000 PSI
 MOUNTING HOLES: (2) .406 DIA.
 PORT SIZE: (4) -12 SAE O-RING



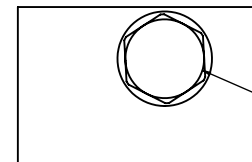
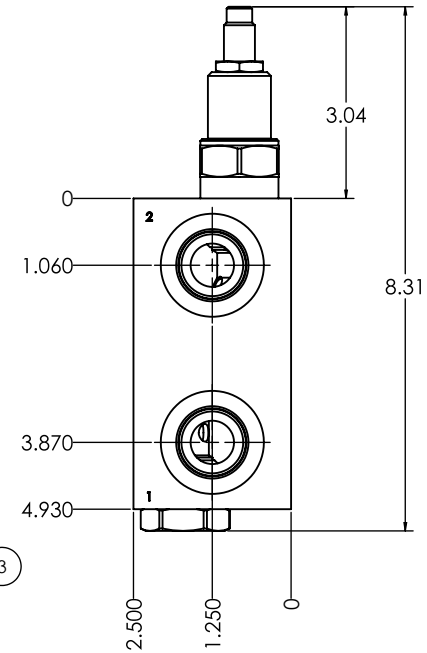
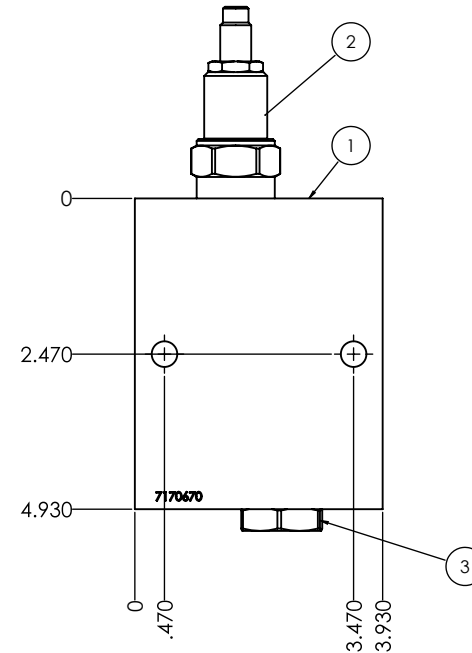
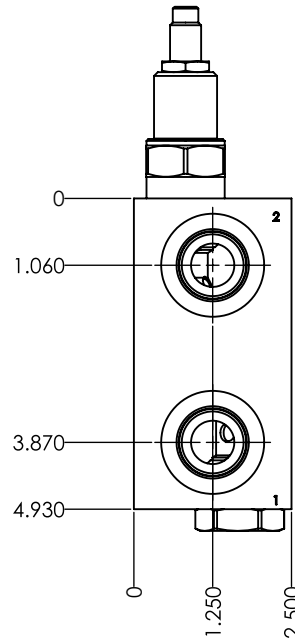
2 33-37 FT LBS



HYDRAULIC SCHEMATIC



HYDRAULIC SCHEMATIC PLUMBED W/ HYDRAULIC MOTOR



3 33-37 FT LBS

ITEM	PART NO.	DESCRIPTION	QTY.
1	7170670	#12 CROSSOVER RELIEF BODY	1
2	RV12-26A-0-N-35/25.00	#12 RELIEF, PILOT OPERATED 2500 PSI	1
3	CV12-20-0-N-05	#12 CHECK VALVE 05 PSI	1