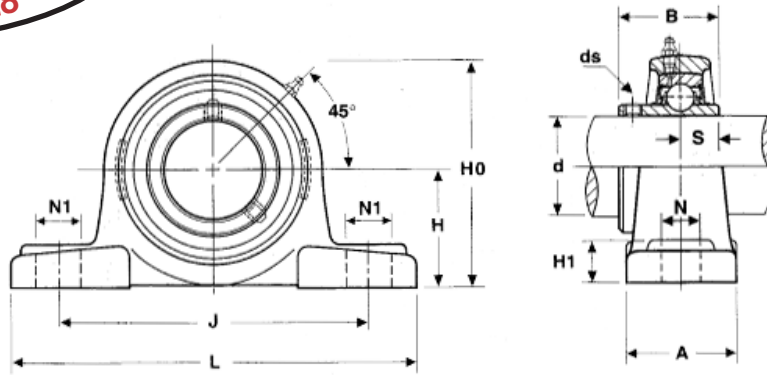


Pillow Block Bearings - UCP Series



| Unit No. | Shaft Dia. | Dimensions | | | | | | | | | | Set Screw ds UNF | Bolt Used | Bearing No. | Housing No. |
|-----------|------------|------------|---------|--------|--------|--------|--------|--------|--------|-------|--------|------------------|-----------|-------------|-------------|
| | | d | H | L | J | A | N | N1 | H1 | H0 | S | | | | |
| UCP201-08 | 1/2 | 33.3 | 127 | 96 | 37 | 13 | 16 | 14 | 63.8 | 12.7 | 31 | 1/4 28 | 3/8 | UC201-08 | P204 |
| | | 1.311 | 5 | 3.7795 | 1.4567 | 0.5118 | 0.6299 | 0.5512 | 2.5118 | 0.5 | 1.2205 | | | | |
| UCP202-10 | 5/8 | 33.3 | 127 | 96 | 37 | 13 | 16 | 14 | 63.8 | 12.7 | 31 | 1/4 28 | 3/8 | UC202-10 | P204 |
| | | 1.311 | 5 | 3.7795 | 1.4567 | 0.5118 | 0.6299 | 0.5512 | 2.5118 | 0.5 | 1.2205 | | | | |
| UCP204-12 | 3/4 | 33.3 | 127 | 96 | 37 | 13 | 16 | 14 | 63.8 | 12.7 | 31 | 1/4 28 | 3/8 | UC204-12 | P204 |
| | | 1.311 | 5 | 3.7795 | 1.4567 | 0.5118 | 0.6299 | 0.5512 | 2.5118 | 0.5 | 1.2205 | | | | |
| UCP205-14 | 7/8 | 36.5 | 140 | 105 | 38 | 13 | 19 | 15 | 69.5 | 14.3 | 34 | 1/4 28 | 3/8 | UC205-14 | P205 |
| | | 1.437 | 5.5118 | 4.1339 | 1.4961 | 0.5118 | 0.748 | 0.5906 | 2.7362 | 0.563 | 1.3383 | | | | |
| UCP205-15 | 15/16 | 36.5 | 140 | 105 | 38 | 13 | 19 | 15 | 69.5 | 14.3 | 34 | 1/4 28 | 3/8 | UC205-15 | P206 |
| | | 1.437 | 5.5118 | 4.1339 | 1.4961 | 0.5118 | 0.748 | 0.5906 | 2.7362 | 0.563 | 1.3383 | | | | |
| UCP205-16 | 1 | 36.5 | 140 | 105 | 38 | 13 | 19 | 15 | 69.5 | 14.3 | 34 | 1/4 28 | 3/8 | UC205-16 | P207 |
| | | 1.437 | 5.5118 | 4.1339 | 1.4961 | 0.5118 | 0.748 | 0.5906 | 2.7362 | 0.563 | 1.3383 | | | | |
| UCP206-18 | 1-1/8 | 42.9 | 165 | 121 | 44 | 17 | 21 | 16 | 82 | 15.9 | 38.1 | 1/4 28 | 1/2 | UC206-18 | P206 |
| | | 1.689 | 6.5 | 4.7638 | 1.7323 | 0.669 | 0.826 | 0.6299 | 3.2283 | 0.626 | 1.5 | | | | |
| UCP206-19 | 1-3/16 | 42.9 | 165 | 121 | 44 | 17 | 21 | 16 | 82 | 15.9 | 38.1 | 1/4 28 | 1/2 | UC206-19 | P206 |
| | | 1.689 | 6.5 | 4.7638 | 1.7323 | 0.669 | 0.826 | 0.6299 | 3.2283 | 0.626 | 1.5 | | | | |
| UCP206-20 | 1-1/4 | 42.9 | 165 | 121 | 44 | 17 | 21 | 16 | 82 | 15.9 | 38.1 | 1/4 28 | 1/2 | UC206-20 | P206 |
| | | 1.689 | 6.5 | 4.7638 | 1.7323 | 0.669 | 0.826 | 0.6299 | 3.2283 | 0.626 | 1.5 | | | | |
| UCP207-20 | 1-1/4 | 47.6 | 167 | 126 | 48 | 17 | 21 | 17 | 92 | 17.5 | 42.9 | 5/16 24 | 1/2 | UC207-20 | P207 |
| | | 1.874 | 6.5748 | 4.9606 | 1.8898 | 0.669 | 0.826 | 0.6693 | 3.622 | 0.689 | 1.689 | | | | |
| UCP207-21 | 1-5/16 | 47.6 | 167 | 126 | 48 | 17 | 21 | 17 | 92 | 17.5 | 42.9 | 5/16 24 | 1/2 | UC207-21 | P207 |
| | | 1.874 | 6.5748 | 4.9606 | 1.8898 | 0.669 | 0.826 | 0.6693 | 3.622 | 0.689 | 1.689 | | | | |
| UCP207-22 | 1-3/8 | 47.6 | 167 | 126 | 48 | 17 | 21 | 17 | 92 | 17.5 | 42.9 | 5/16 24 | 1/2 | UC207-22 | P207 |
| | | 1.874 | 6.5748 | 4.9606 | 1.8898 | 0.669 | 0.826 | 0.6693 | 3.622 | 0.689 | 1.689 | | | | |
| UCP207-23 | 1-7/16 | 47.6 | 167 | 126 | 48 | 17 | 21 | 17 | 92 | 17.5 | 42.9 | 5/16 24 | 1/2 | UC207-23 | P207 |
| | | 1.874 | 6.5748 | 4.9606 | 1.8898 | 0.669 | 0.826 | 0.6693 | 3.622 | 0.689 | 1.689 | | | | |
| UCP208-24 | 1-1/2 | 49.2 | 184 | 136 | 52 | 17 | 21 | 18 | 98 | 19 | 49.2 | 5/16 24 | 1 | UC208-24 | P208 |
| | | 1.937 | 7.25 | 5.3543 | 2.0472 | 0.669 | 0.8268 | 0.7087 | 3.8583 | 0.748 | 1.937 | | | | |
| UCP209-26 | 1-5/8 | 54 | 190 | 146 | 54 | 17 | 21 | 20 | 105.5 | 19 | 49.2 | 5/16 24 | 1 | UC209-26 | P209 |
| | | 2.126 | 7.469 | 5.748 | 2.126 | 0.669 | 0.8268 | 0.7874 | 4.1535 | 0.748 | 1.937 | | | | |
| UCP209-27 | 1-11/16 | 54 | 190 | 146 | 54 | 17 | 21 | 20 | 105.5 | 19 | 49.2 | 5/16 24 | 1 | UC209-27 | P209 |
| | | 2.126 | 7.469 | 5.748 | 2.126 | 0.669 | 0.8268 | 0.7874 | 4.1535 | 0.748 | 1.937 | | | | |
| UCP209-28 | 1-3/4 | 54 | 190 | 146 | 54 | 17 | 21 | 20 | 105.5 | 19 | 49.2 | 5/16 24 | 1 | UC209-28 | P209 |
| | | 2.126 | 7.469 | 5.748 | 2.126 | 0.669 | 0.8268 | 0.7874 | 4.1535 | 0.748 | 1.937 | | | | |
| UCP210-30 | 1-7/8 | 57.2 | 206 | 159 | 57 | 20 | 22 | 21 | 112.2 | 19 | 51.6 | 3/8 24 | 5/8 | UC210-30 | P210 |
| | | 2.252 | 8.125 | 6.2598 | 2.2441 | 0.781 | 0.8661 | 0.8268 | 4.4173 | 0.748 | 2.0315 | | | | |
| UCP210-31 | 1-15/16 | 57.2 | 206 | 159 | 57 | 20 | 22 | 21 | 112.2 | 19 | 51.6 | 3/8 24 | 5/8 | UC210-31 | P210 |
| | | 2.252 | 8.125 | 6.2598 | 2.2441 | 0.781 | 0.8661 | 0.8268 | 4.4173 | 0.748 | 2.0315 | | | | |
| UCP210-32 | 2 | 57.2 | 206 | 159 | 57 | 20 | 22 | 21 | 112.2 | 19 | 51.6 | 3/8 24 | 5/8 | UC210-32 | P210 |
| | | 2.252 | 8.125 | 6.2598 | 2.2441 | 0.781 | 0.8661 | 0.8268 | 4.4173 | 0.748 | 2.0315 | | | | |
| UCP211-32 | 2 | 63.5 | 219 | 172 | 60 | 20 | 22 | 22 | 124.5 | 22.2 | 55.6 | 3/8 24 | 5/8 | UC211-32 | P211 |
| | | 2.5 | 8.625 | 6.7717 | 2.3622 | 0.781 | 0.8661 | 0.8661 | 4.9016 | 0.874 | 2.189 | | | | |
| UCP211-34 | 2-1/8 | 63.5 | 219 | 172 | 60 | 20 | 22 | 22 | 124.5 | 22.2 | 55.6 | 3/8 24 | 5/8 | UC211-34 | P211 |
| | | 2.5 | 8.625 | 6.7717 | 2.3622 | 0.781 | 0.8661 | 0.8661 | 4.9016 | 0.874 | 2.189 | | | | |
| UCP211-35 | 2-3/16 | 63.5 | 219 | 172 | 60 | 20 | 22 | 22 | 124.5 | 22.2 | 55.6 | 3/8 24 | 5/8 | UC211-35 | P211 |
| | | 2.5 | 8.625 | 6.7717 | 2.3622 | 0.781 | 0.8661 | 0.8661 | 4.9016 | 0.874 | 2.189 | | | | |
| UCP212-36 | 2-1/4 | 69.9 | 241 | 186 | 66 | 20 | 25 | 24 | 137 | 25.4 | 65.1 | 3/8 24 | 5/8 | UC212-36 | P212 |
| | | 2.752 | 9.5 | 7.3228 | 2.5984 | 0.781 | 0.9843 | 0.9449 | 5.3937 | 1 | 2.563 | | | | |
| UCP212-38 | 2-3/8 | 69.9 | 241 | 186 | 66 | 20 | 25 | 24 | 137 | 25.4 | 65.1 | 3/8 24 | 5/8 | UC212-38 | P212 |
| | | 2.752 | 9.5 | 7.3228 | 2.5984 | 0.781 | 0.9843 | 0.9449 | 5.3937 | 1 | 2.563 | | | | |
| UCP212-39 | 2-7/16 | 69.9 | 241 | 186 | 66 | 20 | 25 | 24 | 137 | 25.4 | 65.1 | 3/8 24 | 5/8 | UC212-39 | P212 |
| | | 2.752 | 9.5 | 7.3228 | 2.5984 | 0.781 | 0.9843 | 0.9449 | 5.3937 | 1 | 2.563 | | | | |
| UCP213-40 | 2-1/2 | 76.2 | 265 | 203 | 70 | 25 | 30 | 26 | 149 | 25.4 | 65.1 | 7/16 20 | 3/4 | UC213-40 | P213 |
| | | 3 | 10.437 | 7.9921 | 2.7559 | 1 | 1.188 | 1.0236 | 5.8661 | 1 | 2.563 | | | | |
| UCP214-44 | 2-3/4 | 79.4 | 266 | 210 | 72 | 25 | 30 | 27 | 155 | 30.2 | 74.6 | 7/16 20 | 3/4 | UC212-44 | P214 |
| | | 3.126 | 10.4724 | 8.2677 | 2.8346 | 1 | 1.188 | 1.063 | 6.1024 | 1.189 | 2.937 | | | | |
| UCP215-47 | 2-15/16 | 82.6 | 275 | 217 | 74 | 25 | 30 | 28 | 161.6 | 33.3 | 77.8 | 7/16 20 | 3/4 | UC215-47 | P215 |
| | | 3.252 | 10.813 | 8.5433 | 2.9134 | 1 | 1.188 | 1.1024 | 6.3622 | 1.311 | 3.063 | | | | |
| UCP215-48 | 3 | 82.6 | 275 | 217 | 74 | 25 | 30 | 28 | 161.6 | 33.3 | 77.8 | 7/16 20 | 3/4 | UC215-48 | P215 |
| | | 3.252 | 10.8125 | 8.5433 | 2.9134 | 1 | 1.188 | 1.1024 | 6.3622 | 1.311 | 3.063 | | | | |

| Bearing Series | Load Ratings | | | | | | | | | | | | |
|----------------|---|--------|---------|---------|---------|---------|---------|-----------|-----------|-----------|-----------|-----------|-----------|
| | Radial load in pounds at various RPM based on 500 hours minimum life. | | | | | | | | | | | | |
| | 33-1/3 RPM | 50 RPM | 100 RPM | 200 RPM | 300 RPM | 500 RPM | 900 RPM | 1,200 RPM | 1,500 RPM | 1,800 RPM | 2,400 RPM | 3,600 RPM | 5,000 RPM |
| UC201 | 2,226 | 1,940 | 1,540 | 1,220 | 1,070 | 900 | 740 | 670 | 630 | 590 | 540 | 467 | 420 |
| UC202 | 2,226 | 1,940 | 1,540 | 1,220 | 1,070 | 900 | 740 | 670 | 630 | 590 | 540 | 467 | 420 |
| UC204 | 2,226 | 1,940 | 1,540 | 1,220 | 1,070 | 900 | 740 | 670 | 630 | 590 | 540 | 467 | 420 |
| UC205 | 2,420 | 2,120 | 1,680 | 1,330 | 1,170 | 985 | 810 | 730 | 680 | 640 | 580 | 510 | 456 |
| UC206 | 3,370 | 2,960 | 2,340 | 1,860 | 1,620 | 1,370 | 1,120 | 1,020 | 950 | 890 | 810 | 710 | — |
| UC207 | 4,450 | 3,880 | 3,090 | 2,450 | 2,200 | 1,810 | 1,260 | 1,350 | 1,250 | 1,170 | 1,070 | 935 | — |
| UC208 | 5,030 | 4,390 | 3,500 | 2,760 | 2,430 | 2,040 | 1,680 | 1,520 | 1,410 | 1,330 | 1,210 | — | — |
| UC209 | 5,660 | 4,960 | 3,730 | 3,110 | 2,730 | 2,300 | 1,950 | 1,720 | 1,590 | 1,500 | 1,360 | — | — |
| UC210 | 6,020 | 5,250 | 4,170 | 3,310 | 2,890 | 2,440 | 2,180 | 1,820 | 1,690 | 1,590 | 1,440 | — | — |
| UC211 | 7,450 | 6,500 | 5,160 | 4,100 | 3,580 | 3,020 | 2,480 | 2,260 | 2,000 | 1,970 | 1,790 | — | — |
| UC212 | 8,990 | 7,850 | 6,230 | 4,950 | 4,320 | 3,640 | 3,000 | 2,720 | 2,530 | 2,070 | — | — | — |
| UC213 | 9,833 | 8,580 | 6,840 | 5,410 | 4,720 | 3,980 | 3,280 | 2,980 | 2,760 | 2,595 | — | — | — |
| UC214 | 10,690 | 9,330 | 7,410 | 5,780 | 5,130 | 4,330 | 3,570 | 3,240 | 3,005 | 2,820 | — | — | — |
| UC215 | 11,440 | 9,970 | 7,930 | 6,920 | 5,490 | 4,630 | 3,810 | 3,470 | 3,210 | 3,020 | — | — | — |

NOTE: The values in the table above are based on the insert bearing mounted in the housing.

Set Screw Torque - Set screws should be tightened evenly on the shaft until both are snug. Then each set screw should be further tightened to the torque value within the appropriate limits specified in the following table.

Set Screw Torque Limits

| Set Screw Size | Torque Limit (in-lbs.) | |
|----------------|--------------------------|---------|
| | Minimum | Maximum |
| 10-32 | 20 | 22 |
| 1/4"-28 | 31 | 35 |
| 5/16"-28 | 70 | 74 |
| 3/8"-24 | 138 | 143 |
| 7/16"-20 | 200 | 210 |

CAUTION: Do not over tighten set screws.