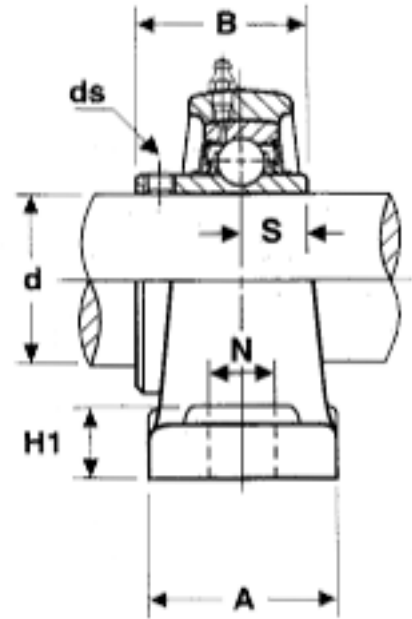
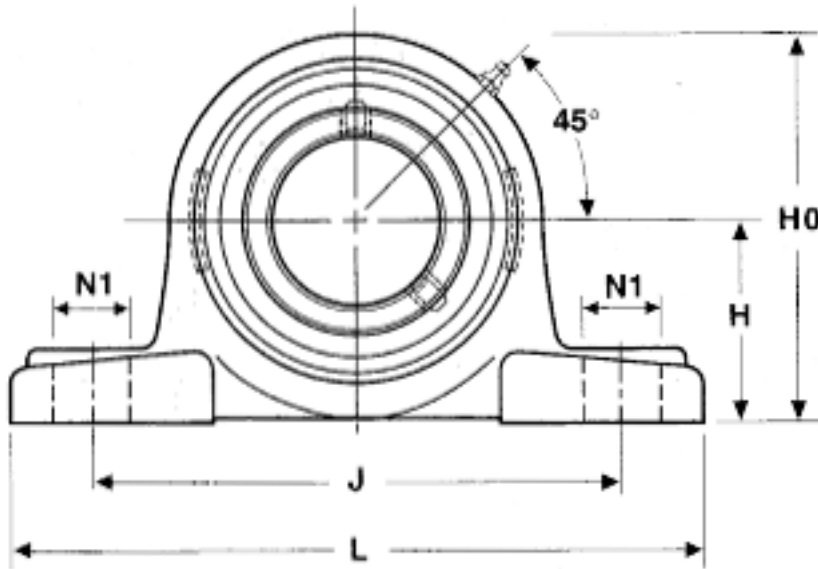
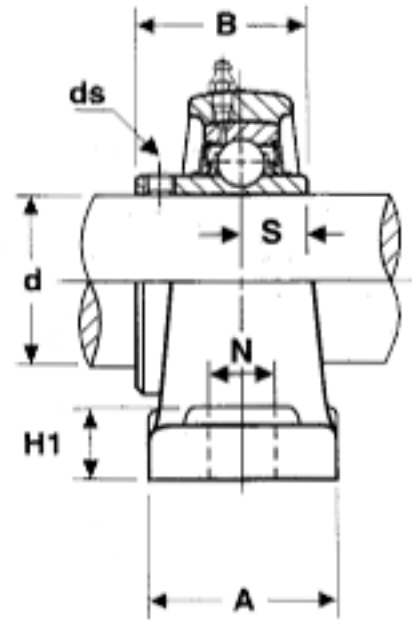
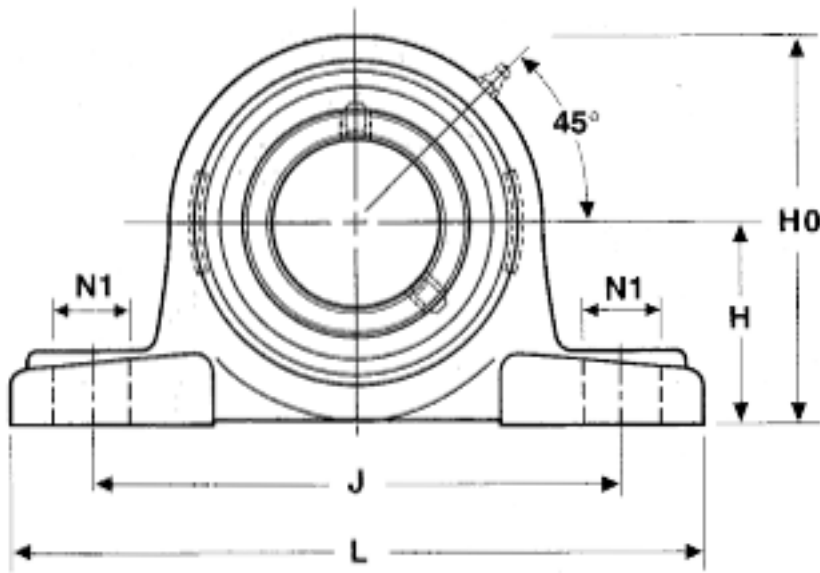


Pillow Block Bearings - HCP Series



Unit No.	Shaft Dia.	Dimensions										Set Screw ds UNF	Bolt Used	Bearing No.	Housing No.
		d	H	L	J	A	N	N1	H1	H0	S				
HCP201-8	1/2	33.3	127	96	37	13	16	14	63.8	17	43.5	1/4 28	3/8	HC201-8	P204
		1.311	5	3.7795	1.4567	0.5118	0.6299	0.5512	2.5118	0.6693	1.7126				
HCP202-10	5/8	33.3	127	96	37	13	16	14	63.8	17	43.5	1/4 28	3/8	HC202-10	P204
		1.311	5	3.7795	1.4567	0.5118	0.6299	0.5512	2.5118	0.6693	1.7126				
HCP204-12	3/4	33.3	127	96	37	13	16	14	63.8	17	43.5	1/4 28	3/8	HC204-12	P204
		1.311	5	3.7795	1.4567	0.5118	0.6299	0.5512	2.5118	0.6693	1.7126				
HCP205-14	7/8	36.5	140	105	38	13	19	15	69.5	17.4	44.3	1/4 28	3/8	HC205-14	P205
		1.437	5.5118	4.1339	1.4961	0.5118	0.748	0.5906	2.7362	0.685	1.7441				
HCP205-15	15/16	36.5	140	105	38	13	19	15	69.5	17.4	44.3	1/4 28	3/8	HC205-15	P205
		1.437	5.5118	4.1339	1.4961	0.5118	0.748	0.5906	2.7362	0.685	1.7441				
HCP205-16	1	36.5	140	105	38	13	19	15	69.5	17.4	44.3	1/4 28	3/8	HC205-16	P205
		1.437	5.5118	4.1339	1.4961	0.5118	0.748	0.5906	2.7362	0.685	1.7441				
HCP206-17	1-1/16	42.9	165	121	44	17	21	16	82	18.2	48.3	1/4 28	1/2	HC206-17	P206
		1.689	6.5	4.7638	1.7323	0.669	0.826	0.6299	3.2283	0.7165	1.9016				
HCP206-18	1-1/8	42.9	165	121	44	17	21	16	82	18.2	48.3	1/4 28	1/2	HC206-18	P206
		1.689	6.5	4.7638	1.7323	0.669	0.826	0.6299	3.2283	0.7165	1.9016				
HCP206-19	1-3/16	42.9	165	121	44	17	21	16	82	18.2	48.3	1/4 28	1/2	HC206-19	P206
		1.689	6.5	4.7638	1.7323	0.669	0.826	0.6299	3.2283	0.7165	1.9016				
HCP206-20	1-1/4	42.9	165	121	44	17	21	16	82	18.2	48.3	1/4 28	1/2	HC206-20	P206
		1.689	6.5	4.7638	1.7323	0.669	0.826	0.6299	3.2283	0.7165	1.9016				
HCP207-20	1-1/4	47.6	167	126	48	17	21	17	92	18.8	51.1	5/16 24	1/2	HC207-20	P207
		1.874	6.5748	4.9606	1.8898	0.669	0.826	0.6693	3.622	0.7402	2.0118				
HCP207-21	1-5/16	47.6	167	126	48	17	21	17	92	18.8	51.1	5/16 24	1/2	HC207-21	P207
		1.874	6.5748	4.9606	1.8898	0.669	0.826	0.6693	3.622	0.7402	2.0118				
HCP207-22	1-3/8	47.6	167	126	48	17	21	17	92	18.8	51.1	5/16 24	1/2	HC207-22	P207
		1.874	6.5748	4.9606	1.8898	0.669	0.826	0.6693	3.622	0.7402	2.0118				
HCP207-23	1-7/16	47.6	167	126	48	17	21	17	92	18.8	51.1	5/16 24	1/2	HC207-23	P207
		1.874	6.5748	4.9606	1.8898	0.669	0.826	0.6693	3.622	0.7402	2.0118				
HCP208-24	1-1/2	49.2	184	136	52	17	21	18	98	21.4	56.3	5/16 24	1/2	HC208-24	P208
		1.937	7.25	5.3543	2.0472	0.669	0.8268	0.7087	3.8583	0.8425	2.2165				
HCP208-25	1-9/16	49.2	184	136	52	17	21	18	98	21.4	56.3	5/16 24	1/2	HC208-25	P208
		1.937	7.25	5.3543	2.0472	0.669	0.8268	0.7087	3.8583	0.8425	2.2165				
HCP209-26	1-5/8	54	190	146	54	17	21	20	105.5	21.4	56.3	5/16 24	1/2	HC209-26	P209
		2.126	7.469	5.748	2.126	0.669	0.8268	0.7874	4.1535	0.8425	2.2165				
HCP209-27	1-11/16	54	190	146	54	17	21	20	105.5	21.4	56.3	5/16 24	1/2	HC209-27	P209
		2.126	7.469	5.748	2.126	0.669	0.8268	0.7874	4.1535	0.8425	2.2165				
HCP209-28	1-3/4	54	190	146	54	17	21	20	105.5	21.4	56.3	5/16 24	1/2	HC209-28	P209
		2.126	7.469	5.748	2.126	0.669	0.8268	0.7874	4.1535	0.8425	2.2165				
HCP210-30	1-7/8	57.2	206	159	57	20	22	21	112.2	24.6	62.7	3/8 24	5/8	HC210-30	P210
		2.252	8.125	6.2598	2.2441	0.781	0.8661	0.8268	4.4173	0.9685	2.4685				
HCP210-31	1-15/16	57.2	206	159	57	20	22	21	112.2	24.6	62.7	3/8 24	5/8	HC210-31	P210
		2.252	8.125	6.2598	2.2441	0.781	0.8661	0.8268	4.4173	0.9685	2.4685				



Unit No.	Shaft Dia.	Dimensions										Set Screw ds UNF	Bolt Used	Bearing No.	Housing No.
		d	H	L	J	A	N	N1	H1	H0	S				
HCP210-32	2	57.2	206	159	57	20	22	21	112.2	24.6	62.7	3/8 24	5/8	HC210-32	P210
		2.252	8.125	6.2598	2.2441	0.781	0.8661	0.8268	4.4173	0.9685	2.4685				
HCP211-32	2	63.5	219	172	60	20	22	22	124.5	27.7	71.3	3/8 24	5/8	HC211-32	P211
		2.5	8.625	6.7717	2.3622	0.781	0.8661	0.8661	4.9016	1.0906	2.8071				
HCP211-34	2-1/8	63.5	219	172	60	20	22	22	124.5	27.7	71.3	3/8 24	5/8	HC211-34	P211
		2.5	8.625	6.7717	2.3622	0.781	0.8661	0.8661	4.9016	1.0906	2.8071				
HCP211-35	2-3/16	63.5	219	172	60	20	22	22	124.5	27.7	71.3	3/8 24	5/8	HC211-35	P211
		2.5	8.625	6.7717	2.3622	0.781	0.8661	0.8661	4.9016	1.0906	2.8071				
HCP212-36	2-1/4	69.9	241	186	66	20	25	24	137	30.9	77.7	3/8 24	5/8	HC212-36	P212
		2.752	9.5	7.3228	2.5984	0.781	0.9843	0.9449	5.3937	1.2165	3.0591				
HCP212-37	2-5/16	69.9	241	186	66	20	25	24	137	30.9	77.7	3/8 24	5/8	HC212-37	P212
		2.752	9.5	7.3228	2.5984	0.781	0.9843	0.9449	5.3937	1.2165	3.0591				
HCP212-38	2-3/8	69.9	241	186	66	20	25	24	137	30.9	77.7	3/8 24	5/8	HC212-38	P212
		2.752	9.5	7.3228	2.5984	0.781	0.9843	0.9449	5.3937	1.2165	3.0591				
HCP212-39	2-7/16	69.9	241	186	66	20	25	24	137	30.9	77.7	3/8 24	5/8	HC212-39	P212
		2.752	9.5	7.3228	2.5984	0.781	0.9843	0.9449	5.3937	1.2165	3.0591				
HCP213-40	2-1/2	76.2	265	203	70	25	30	26	149	34.1	85.7	7/16 20	3/4	HC213-40	P213
		3	10.437	7.9921	2.7559	1	1.188	1.0236	5.8661	1.3425	3.374				
HCP214-44	2-3/4	79.4	266	210	72	25	30	27	155	34.1	85.7	7/16 20	3/4	HC214-44	P214
		3.126	10.4724	8.2677	2.8346	1	1.188	1.063	6.1024	1.3425	3.374				
HCP215-47	2-15/16	82.6	275	217	74	25	30	28	161.6	37.3	92.1	7/16 20	3/4	HC215-47	P215
		3.252	10.8125	8.5433	2.9134	1	1.188	1.1024	6.3622	1.4685	3.626				
HCP215-48	3	82.6	275	217	74	25	30	28	161.6	37.3	92.1	7/16 20	3/4	HC215-48	P215
		3.252	10.8125	8.5433	2.9134	1	1.188	1.1024	6.3622	1.4685	3.626				

Bearing Series	Load Ratings												
	Radial load in pounds at various RPM based on 500 hours minimum life.												
	33-1/3 RPM	50 RPM	100 RPM	200 RPM	300 RPM	500 RPM	900 RPM	1,200 RPM	1,500 RPM	1,800 RPM	2,400 RPM	3,600 RPM	5,000 RPM
HC201	2,226	1,940	1,540	1,220	1,070	900	740	670	630	590	540	467	420
HC202	2,226	1,940	1,540	1,220	1,070	900	740	670	630	590	540	467	420
HC204	2,226	1,940	1,540	1,220	1,070	900	740	670	630	590	540	467	420
HC205	2,420	2,120	1,680	1,330	1,170	985	810	730	680	640	580	510	456
HC206	3,370	2,960	2,340	1,860	1,620	1,370	1,120	1,020	950	890	810	710	—
HC207	4,450	3,880	3,090	2,450	2,200	1,810	1,260	1,350	1,250	1,170	1,070	935	—
HC208	5,030	4,390	3,500	2,760	2,430	2,040	1,680	1,520	1,410	1,330	1,210	—	—
HC209	5,660	4,960	3,730	3,110	2,730	2,300	1,950	1,720	1,590	1,500	1,360	—	—
HC210	6,020	5,250	4,170	3,310	2,890	2,440	2,180	1,820	1,690	1,590	1,440	—	—
HC211	7,450	6,500	5,160	4,100	3,580	3,020	2,480	2,260	2,000	1,970	1,790	—	—
HC212	8,990	7,850	6,230	4,950	4,320	3,640	3,000	2,720	2,530	2,070	—	—	—
HC213	9,833	8,580	6,840	5,410	4,720	3,980	3,280	2,980	2,760	2,595	—	—	—
HC214	10,690	9,330	7,410	5,780	5,130	4,330	3,570	3,240	3,005	2,820	—	—	—
HC215	11,440	9,970	7,930	6,920	5,490	4,630	3,810	3,470	3,210	3,020	—	—	—

NOTE: The values in the table above are based on the insert bearing mounted in the housing.

Set Screw Torque - Set screws should be tightened evenly on the shaft until both are snug. Then each set screw should be further tightened to the torque value within the appropriate limits specified in the following table.

Set Screw Torque Limits

Set Screw Size	Torque Limit (in-lbs.)	
	Minimum	Maximum
10-32	20	22
1/4"-28	31	35
5/16"-28	70	74
3/8"-24	138	143
7/16"-20	200	210

CAUTION: Do not over tighten set screws.