

Hole patterns in right and left slides match.
Approximately 5 7/8" travel in slide adjustment.

Bolt pattern mounting depths available:
3.25", 3.5", 4", 4.5", 4.75", 5", 5.5", 5.75", 6.25",
6.5", 6.75", 7", 7.25", 7.5", 7.75", 8", 8.25", 8.5",
8.75", 9", 9.25", 9.5", 9.75", 10", 10.25", 10.5",
10.75", 11", 11.25", 11.5", 12", 12.25", 13", 13.25"



This document contains confidential and proprietary information that cannot be reproduced or divulged, in whole or in part, without written authorization from Concentric International.

Scale: None

Units: Inches

Tolerance:

Drawing Title:

440 Seat Base

Rev

Date

By

Description

D

5-22-19

SC

440000, 440002, 441000 Seat Mounting

E

F

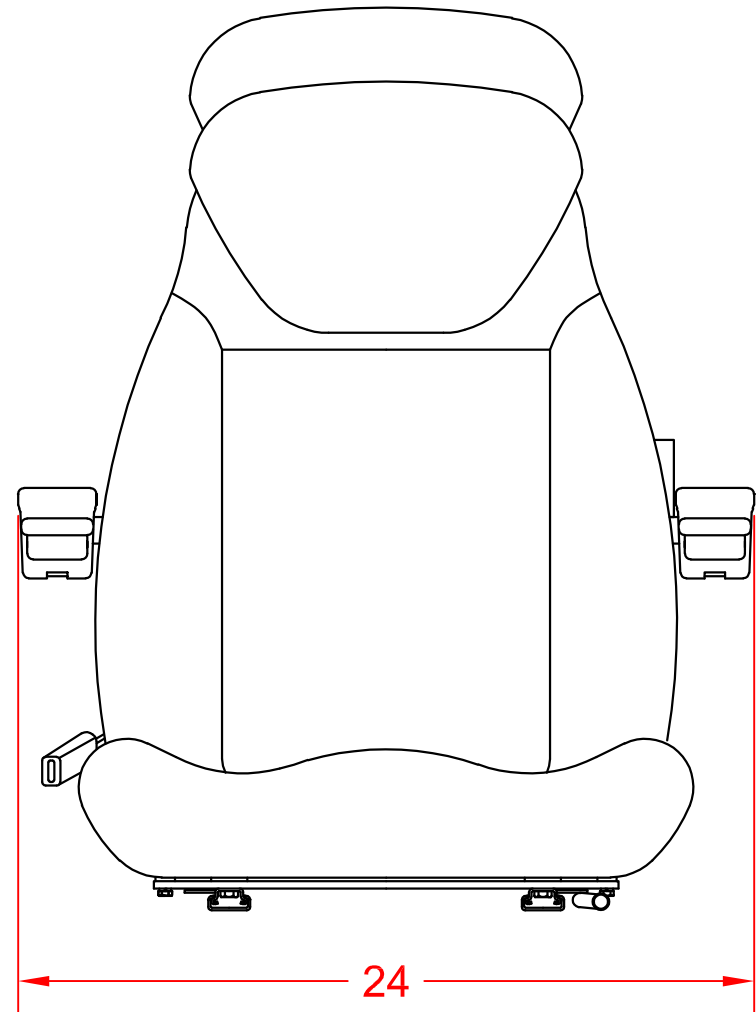
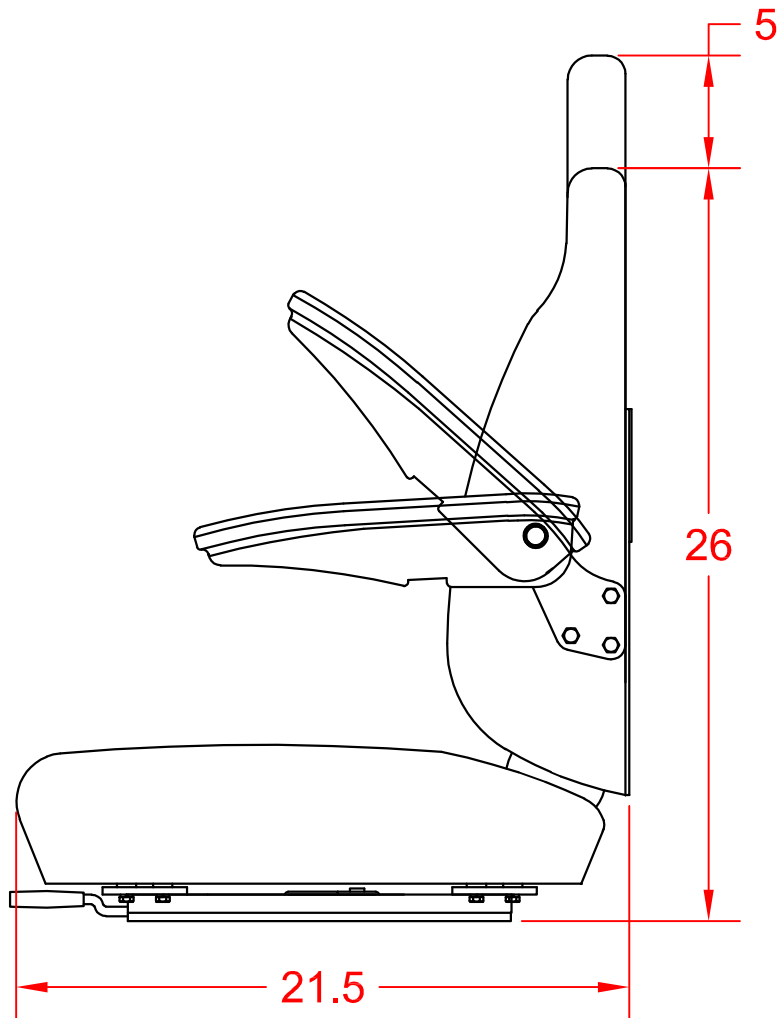
Sheet: 4 of

Filename:

440 Seat.dwg

Dwg / Part No:

440 Series Seat



This document contains confidential and proprietary information that cannot be reproduced or divulged, in whole or in part, without written authorization from Concentric International.

Scale: None

Units: Inches

Tolerance:

Drawing Title:

440000 Seat

Rev

Date

By

Description

A

5-22-19

SC

440000BK Dimensional Print

Sheet: 1 of

Dwg / Part No:

B

Filename:

440000BK

C

440000 Dimensional.dwg