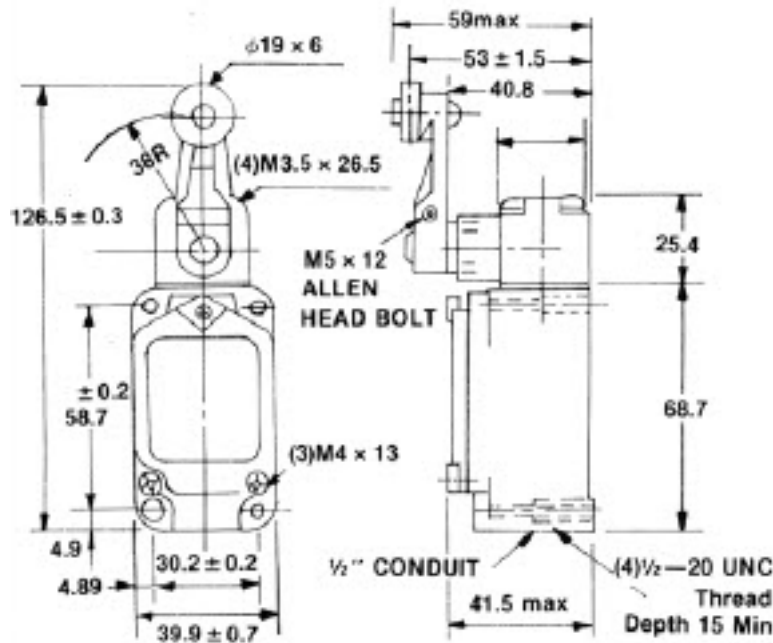


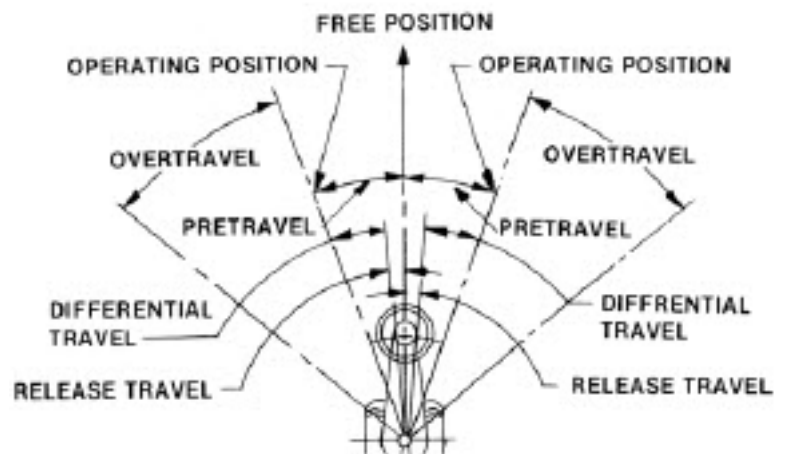


This drawing is for model's RCL-300 and RCL-301. The switch body measures the same for all RCL series limit switches, but the head and actuator measurements will be different from what is shown.



6.25"  
Rod  
Length

## ROTARY ACTUATION



PART NO.	RCL-305
OF MAX	245g = 5 in.oz.
RF MIN	25g - 1 in. oz.
PT MAX	25° to 30°
OT MIN	60°
DT MAX	16°
TF MAX	200g = 1/2 in.lbs.
TT MIN	90° + 10°

Characteristics: OF = Operating Force; PT = Pretravel; OT = Over Travel; DT = Differential Travel; RF = Release Force; OP = Operating Position; TF = Travel Force; RP = Release Position; TT = Total Travel