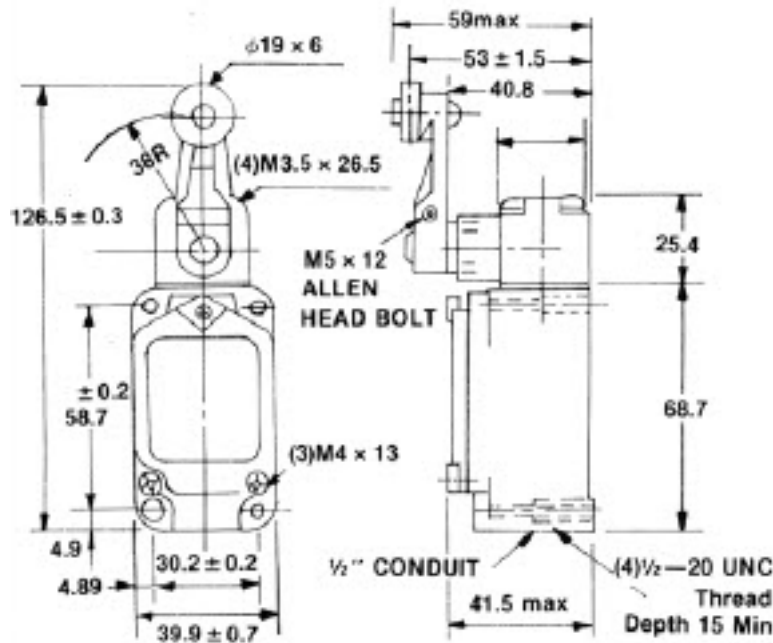


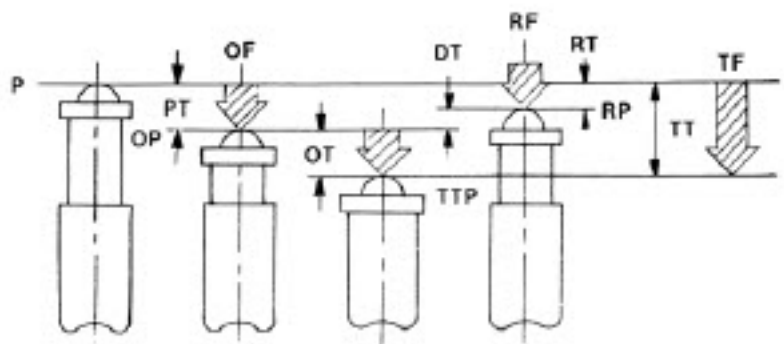


This drawing is for model's RCL-300 and RCL-301. The switch body measures the same for all RCL series limit switches, but the head and actuator measurements will be different from what is shown.



IN-LINE PLUNGER ACTUATION

PART NO.	RCL-309
OF MAX	2800g - 6 lbs.
RF MIN	900g - 2 lbs. Max.
PT MAX	2mm - .070 in.
OT MIN	4mm - .157 in Max.
DT MAX	1.0mm - .040 in
OP	44.5 ± 0.8mm
TT	—



OPERATION

RELEASE

Characteristics: OF - Operating Force; PT - Pretravel; OT - Over Travel; DT - Differential Travel; RF - Release Force; OP - Operating Position; TF - Travel Force; RP - Release Position; TT - Total Travel