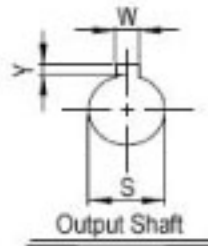
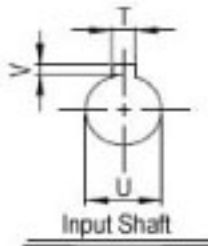
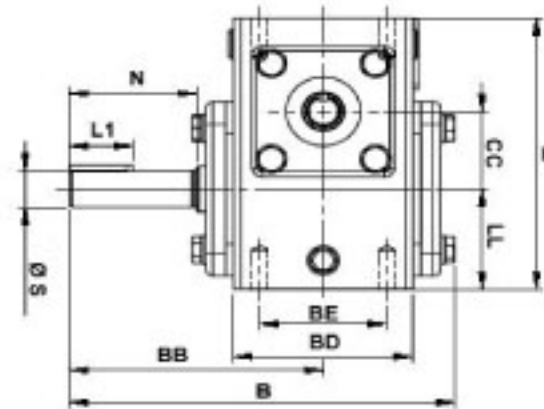
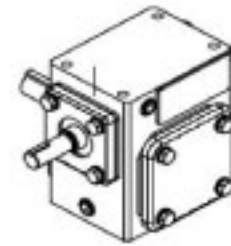
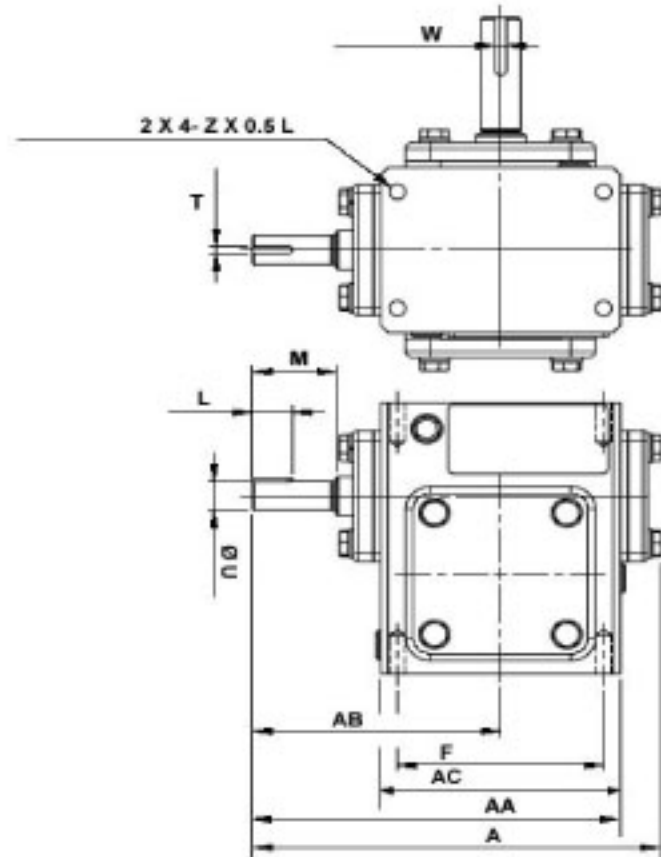


# SURPLUS CENTER

800-488-3407  
 www.surpluscenter.com  
 1015 West "O" St.  
 LINCOLN, NE 68528

## WorldWide Gear Reducers Shaft to Shaft 133 Series



\* Fill in with any ratios

A	AA	AB	AC	B	BB	BD	BE	CC	F	H	LL	Z
6.45	5.797	3.907	3.78	6.067	4	2.835	2	1.333	3.25	4.656	1.718	5/16-18 UNC

Input Shaft				Output Shaft				Oil (oz.)
M	L	U	T*V	N	L1	S	W*Y	
1.309	0.625	0.5	1/8*1/16	2	1	0.625	3/16*3/32	7.56

Unit: Inches  
 Scale — 1:2.5