

1

2

3

4

5

6

7

A

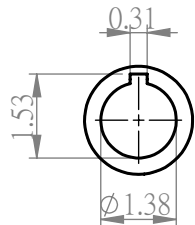
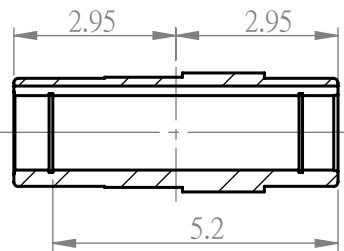
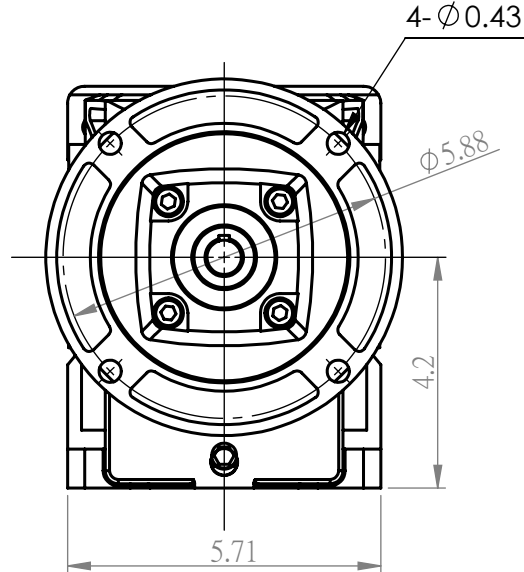
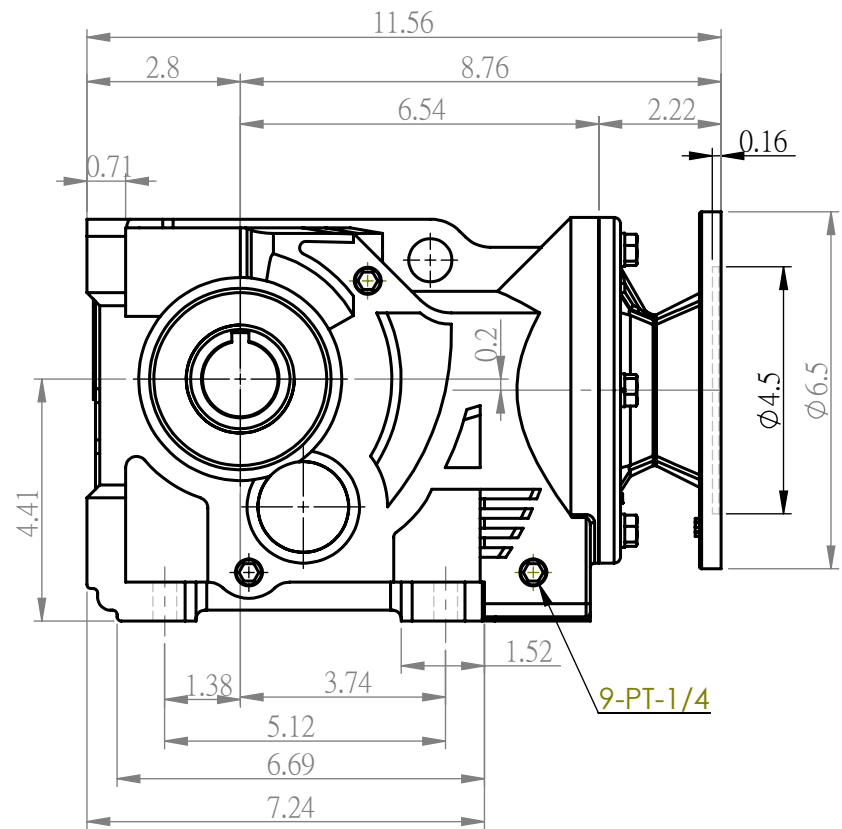
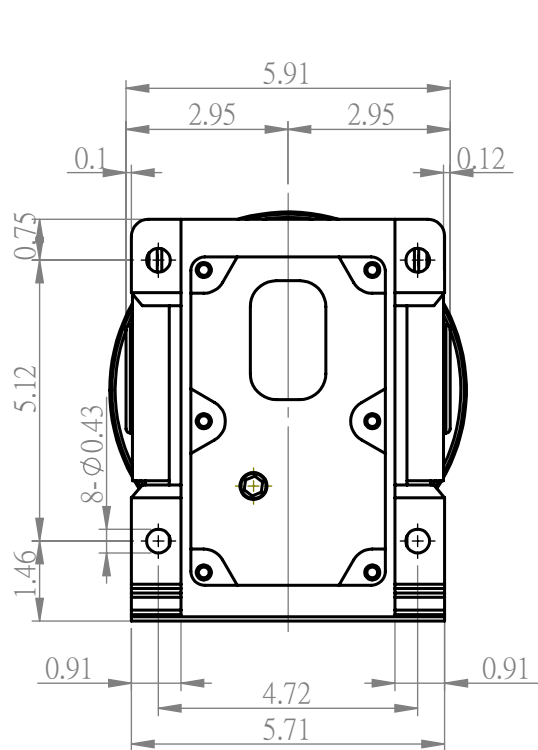
B

C

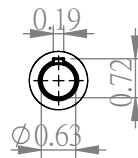
D

E

F



OUTPUT BORE



INPUT BORE

NO.	PART NO.	MATERIAL	PC	RAW MATERIAL	WEIGHT	NOTE
				WORLD WIDE		
				KHN47-H-56C		
				BKHF047		
						REV. A

NO.	SECTION	ORIGIN	MODIFICATION	DATE	IN CHARGE

SCABBLE TOLERANCE
 >0 ± 0.1
 >6 ± 0.2
 >30 ± 0.3
 >120 ± 0.5
 >315 ± 0.8
 MACHINING REQUIRED
 ~ NO-MACHINING
 ▽ 50S
 ▽ ▽ 25S
 ▽ ▽ ▽ 6S
 ANG. TOLERANCE ± 0.5

DWG. 2012.10.25 Y.S.P
 DESN. 2012.10.25 Y.S.P
 APPR.
 DATE NAME
 SCALE 1:3.5

TITLE
 DWG. NO.
 REV. **A**

1 2 3 4 5 6 7

A

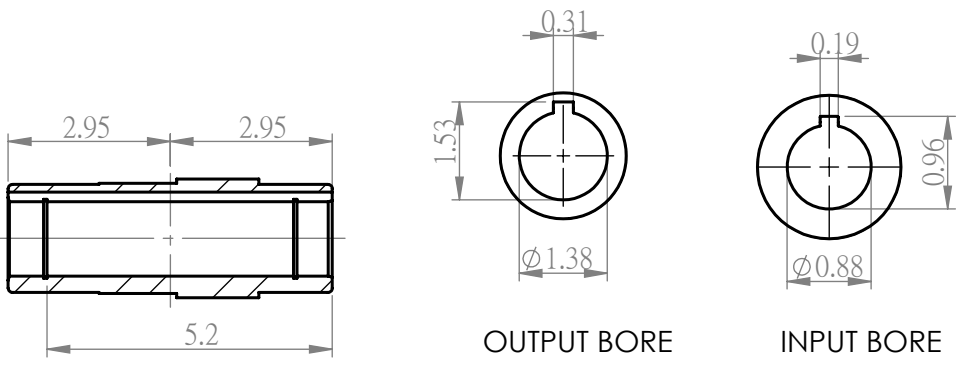
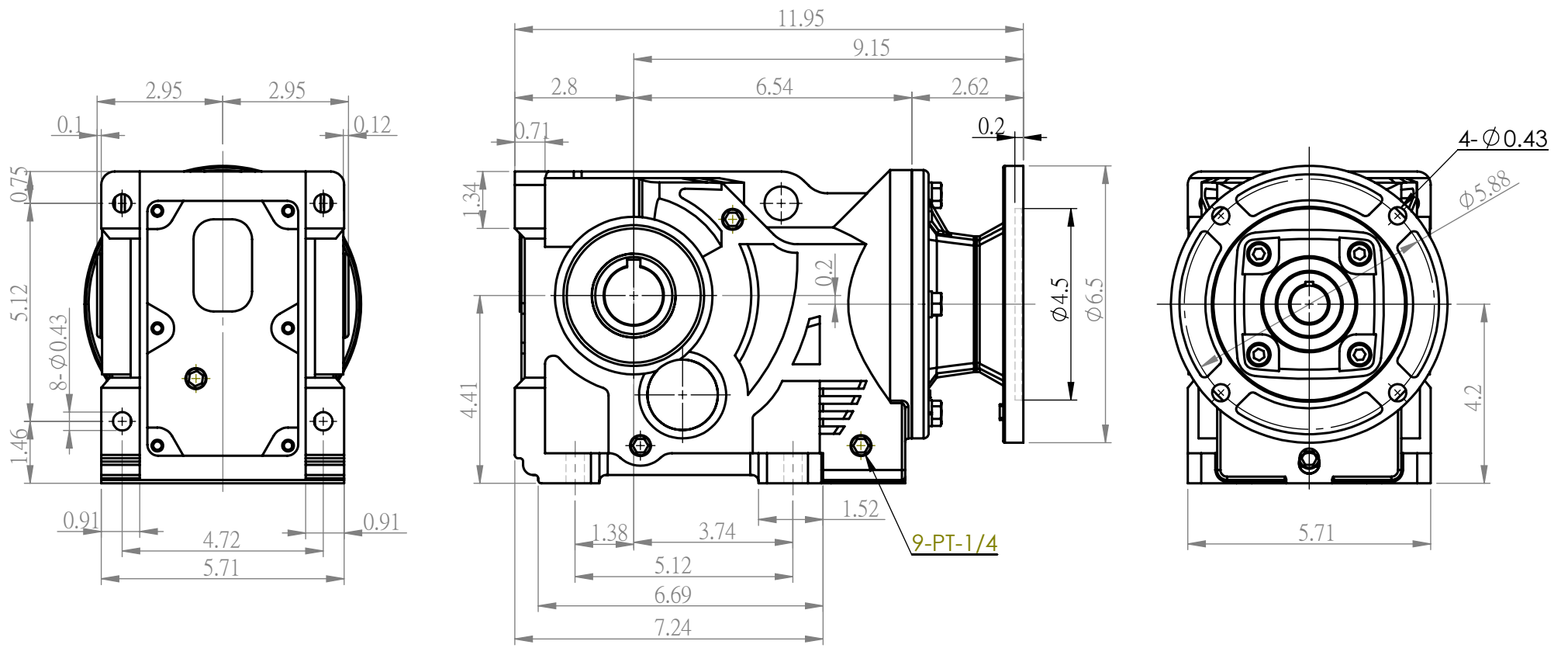
B

C

D

E

F



OUTPUT BORE

INPUT BORE

NO.	PART NO.	MATERIAL	PC	RAW MATERIAL	WEIGHT	NOTE
SCABBLE TOLERANCE						
>0	± 0.1	DWG.	2012.10.25	Y.S.P	WORLD WIDE	
>6	± 0.2	DESN.	2012.10.25	Y.S.P		
>30	± 0.3	APPR.				
>120	± 0.5					
>315	± 0.8					
MACHINING REQUIRED		DATE	NAME	TITLE	KHN47-H-143/5TC	
~	NO-MACHINING	SCALE	1:3.5	DWG. NO.	BKHF047	REV.
▽	50S					
▽▽	25S					
▽▽▽	6S					
ANG. TOLERANCE±0.5						

NO.	SECTION	ORIGIN	MODIFICATION	DATE	IN CHARGE

1 2 3 4 5 6 7

A

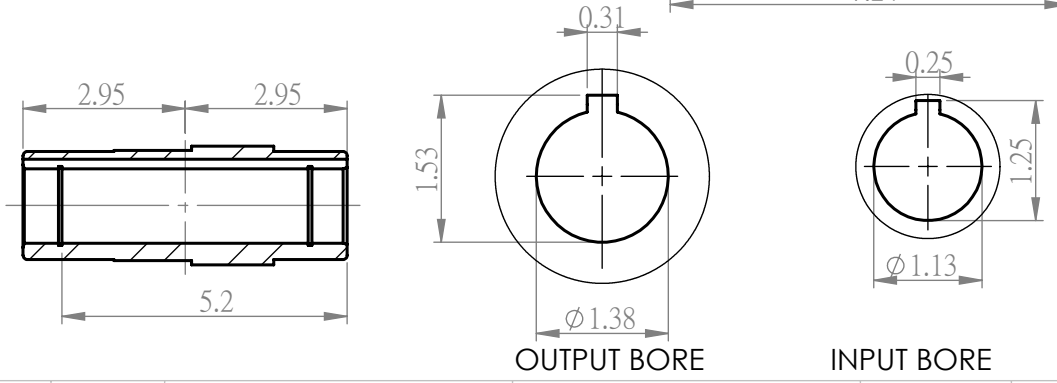
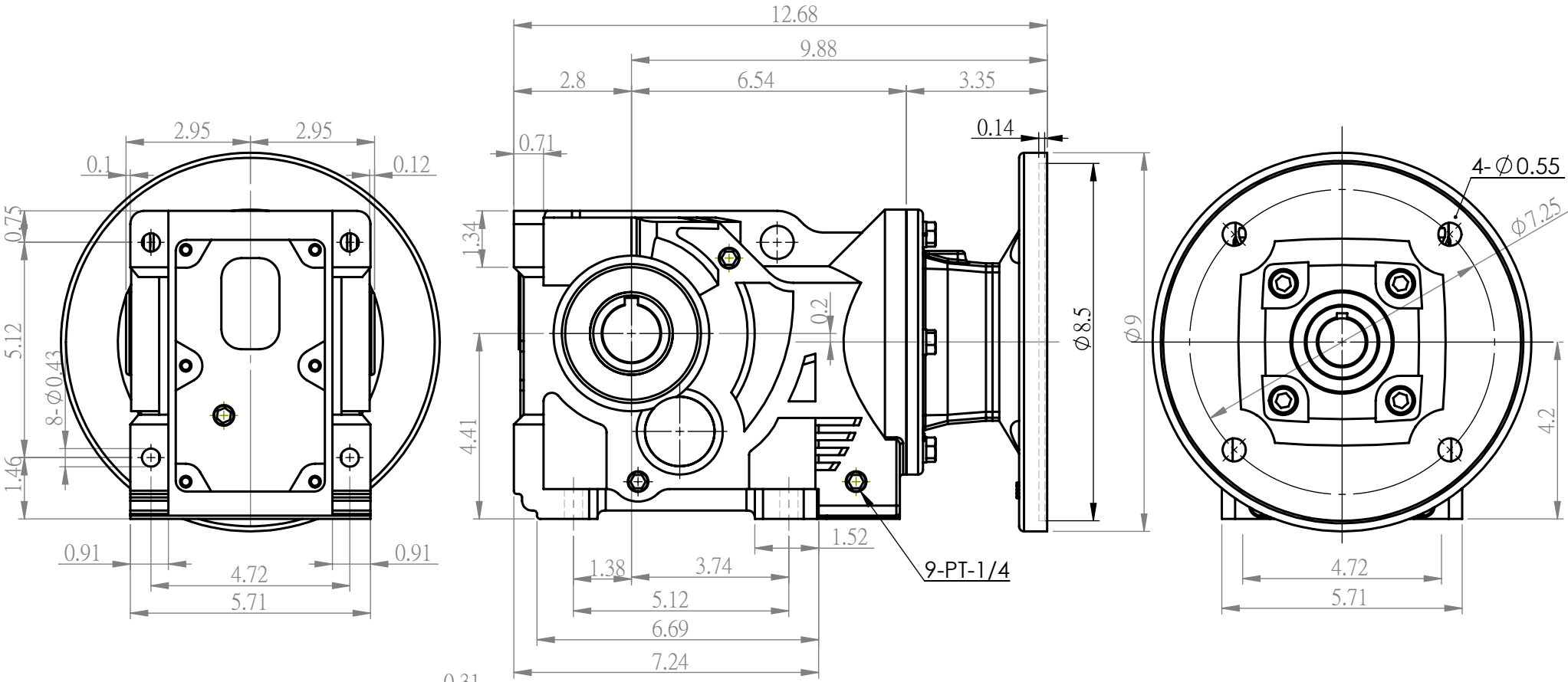
B

C

D

E

F



NO.	PART NO.	MATERIAL	PC	RAW MATERIAL	WEIGHT	NOTE
	DWG.	2012.10.25	Y.S.P	WORLD WIDE		
	DESN.	2012.10.25	Y.S.P			
	APPR.					
	DATE		NAME	TITLE	KHN47-H-182/4TC	
	SCALE	1:3.5		DWG. NO.	BKHF047	REV.

NO.	SECTION	ORIGIN	MODIFICATION	DATE	IN CHARGE

SCABBLE TOLERANCE
 >0 ±0.1
 >6 ±0.2
 >30 ±0.3
 >120 ±0.5
 >315 ±0.8

MACHINING REQUIRED
 ~ NO-MACHINING
 ∇ 50S
 ∇∇ 25S
 ∇∇∇ 6S
 ANG. TOLERANCE±0.5