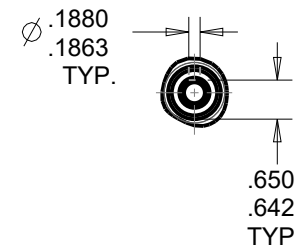
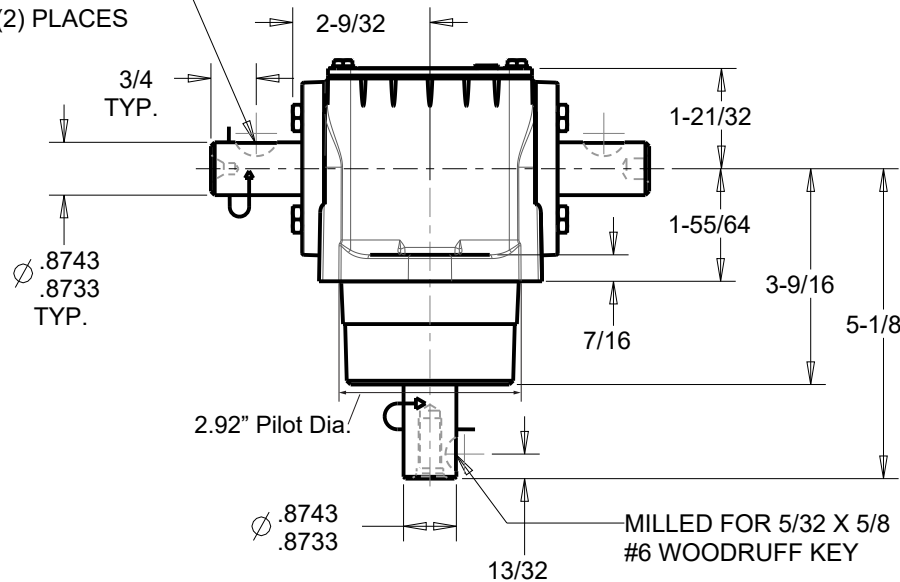


NOTE:

MAX. INPUT SPEED 3600 RPM
MAX. HORSEPOWER 10 @ 3600 RPM
MAX. STATIC TORQUE 360 IN-LBS

GEAR RATIO 1:1

MILLED FOR 3/16 X 3/4
#9 WOODRUFF KEY
(2) PLACES



(G) 3/8-24 UNF ∇ 1

