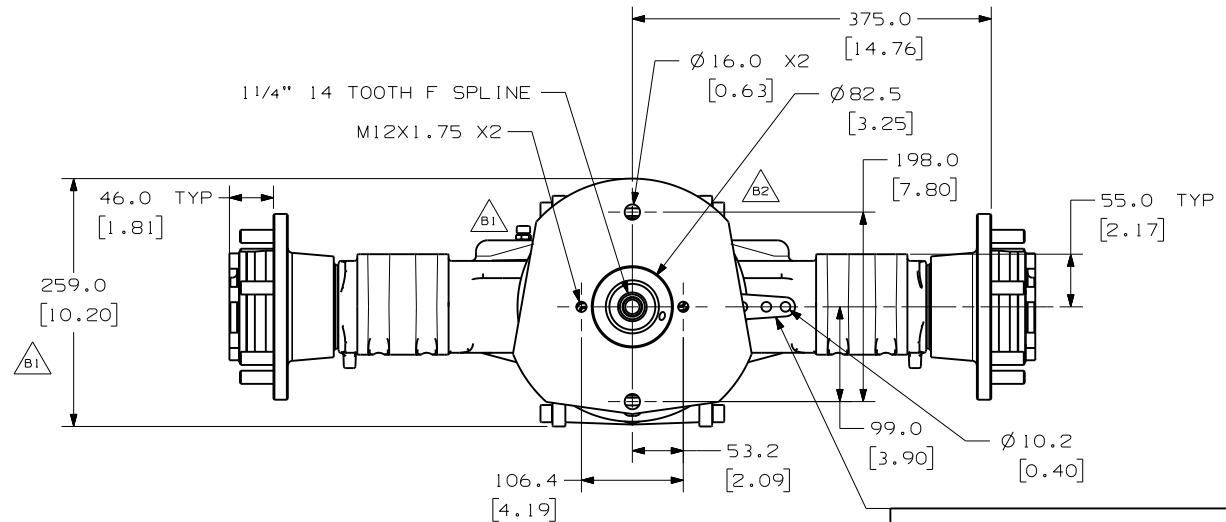
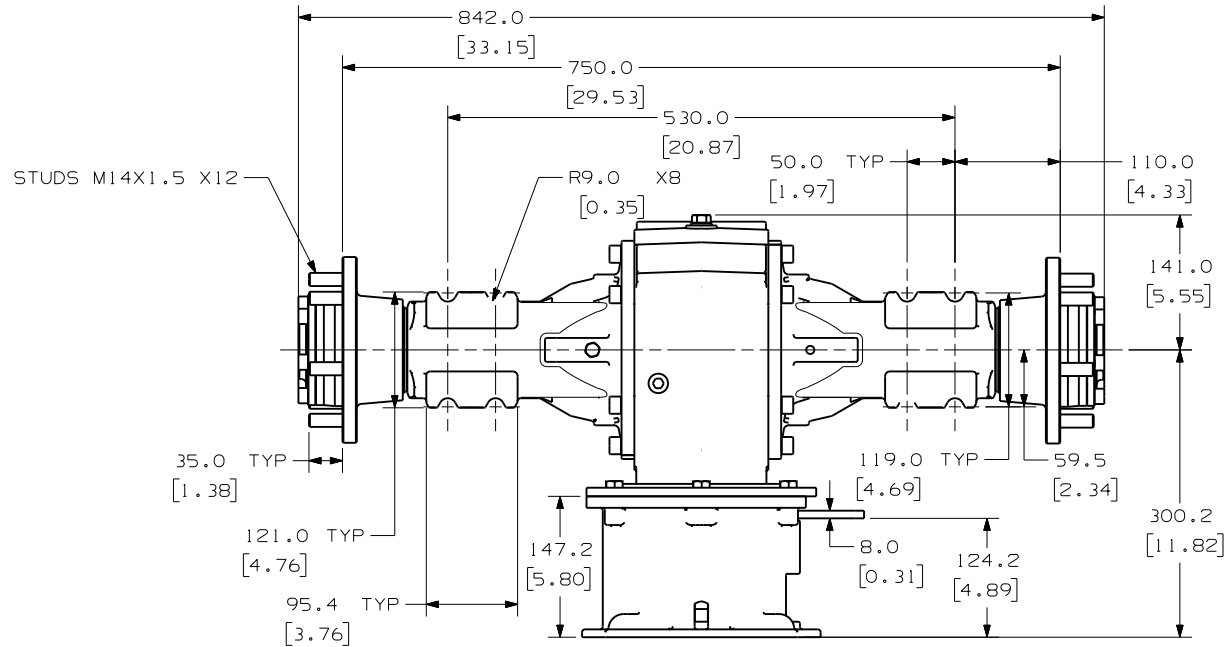
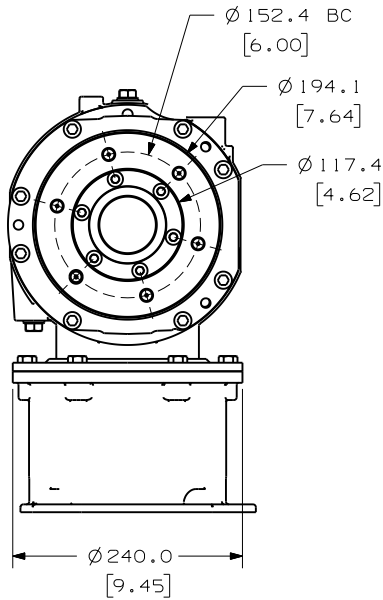


Front Axle



160X40 KNOTT PARKING BRAKE
BRAKING TORQUE = 70 daNm
MAX FORCE ON LEVER 122 daN
AFTER RUN-IN

Rear Axle

