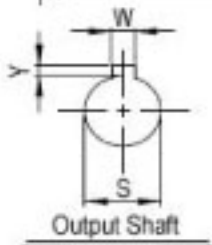
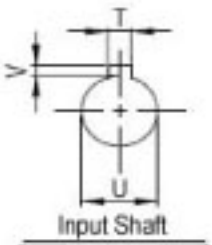
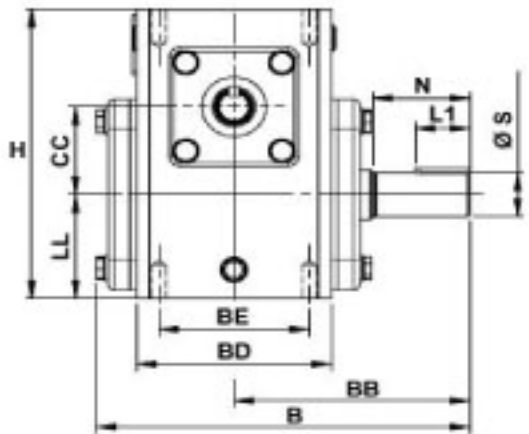
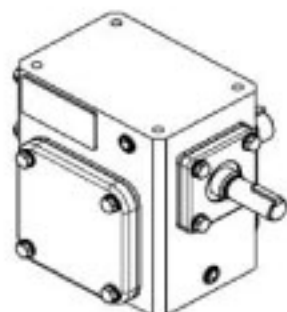
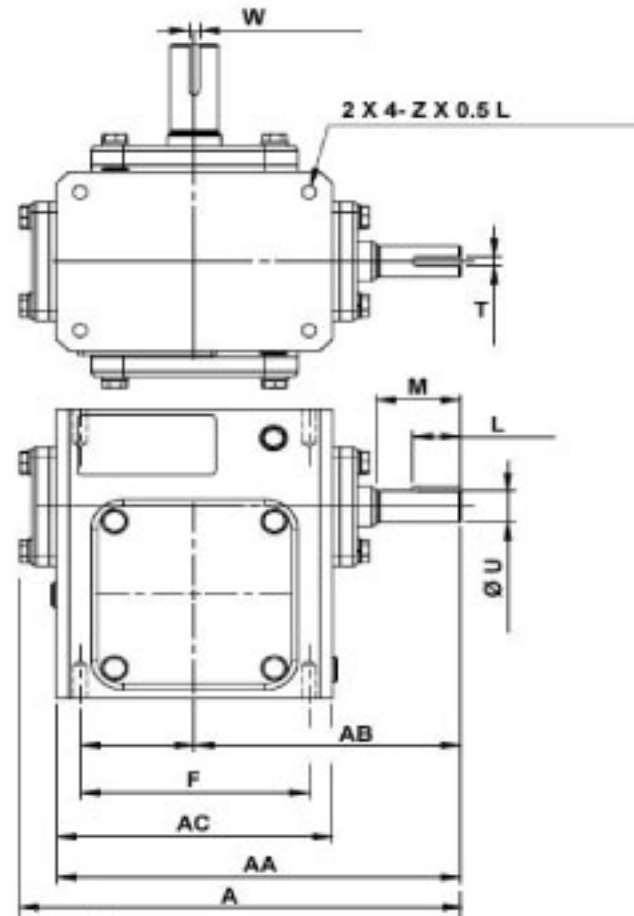


SURPLUS CENTER
 800-488-3407
 www.surpluscenter.com
 1015 West "O" St.
 LINCOLN, NE 68528

WorldWide Gear Reducers
 Shaft to Shaft
 175 Series



* Fill in with any ratios

A	AA	AB	AC	B	BB	BD	BE	CC	F	H	LL	Z
8.06	7.402	4.872	5.059	6.831	4.311	3.563	2.75	1.75	4.188	5.75	2.062	5/16-18 UNC

Input Shaft				Output Shaft				Oil (oz.)
M	L	U	T*V	N	L1	S	W*Y	
1.555	0.875	0.625	3/16*3/32	1.781	1	0.875	3/16*3/32	15.27

Unit: Inches
 Scale --- 1:3