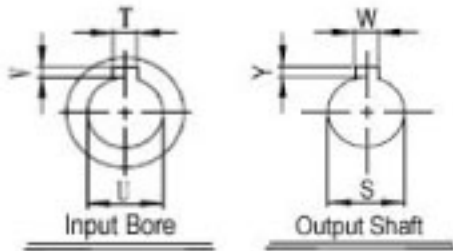
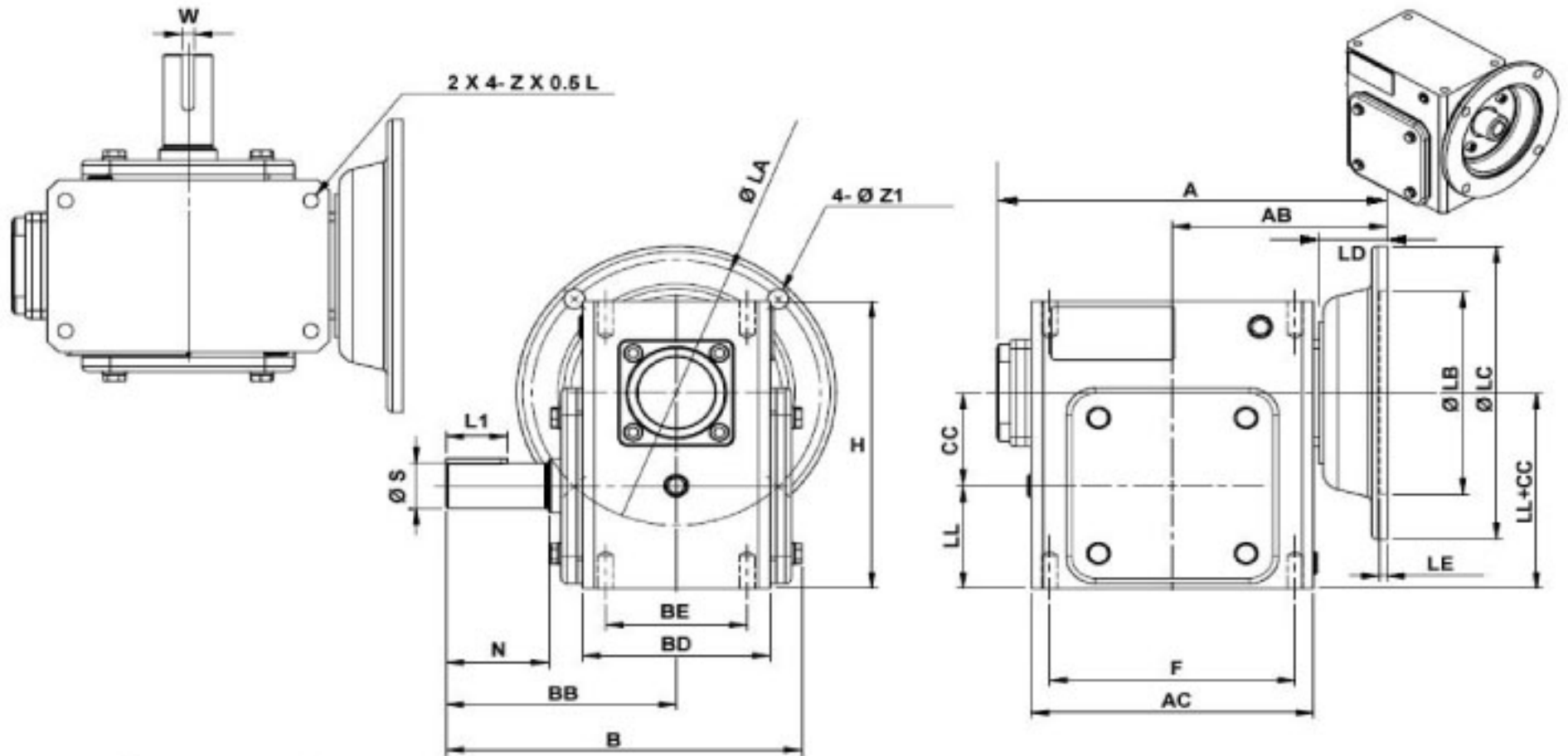


# SURPLUS CENTER

800-488-3407  
 www.surpluscenter.com  
 1015 West "O" St.  
 LINCOLN, NE 68528

## WorldWide Gear Reducers Right Output 206 Series



\* Fill in with any ratios

| A    | AB   | AC    | B     | BB   | BD    | BE   | CC    | F | H     | LL    | N    | Z          |
|------|------|-------|-------|------|-------|------|-------|---|-------|-------|------|------------|
| 7.95 | 4.37 | 5.748 | 7.249 | 4.69 | 3.819 | 2.88 | 2.062 | 5 | 6.375 | 2.281 | 2.09 | 3/8-16 UNF |

| Flange |     |       |       |       | Input Bore |       | Output Shaft |      |   | Oil (oz.) |       |
|--------|-----|-------|-------|-------|------------|-------|--------------|------|---|-----------|-------|
| LA     | LB  | LC    | LD    | LE    | Z1         | U     | T*V          | L1   | S |           | W*Y   |
| 5.875  | 4.5 | 6.496 | 1.378 | 0.157 | 0.433      | 0.625 | 3/16*3/32    | 1.25 | 1 | 1/4*1/8   | 16.14 |

Unit: Inches  
 Scale --- 1:3