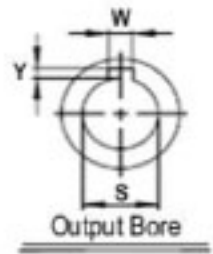
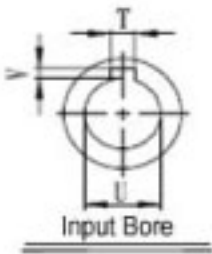
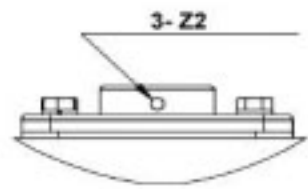
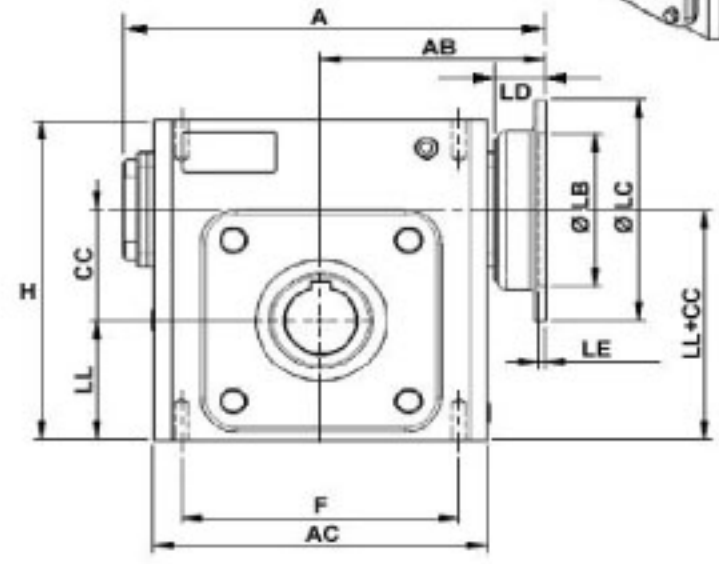
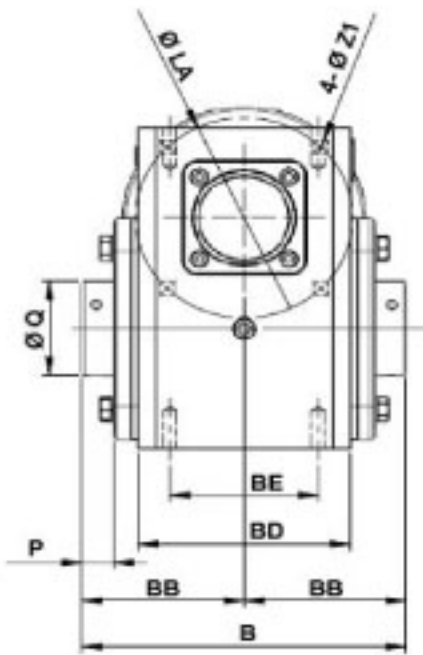
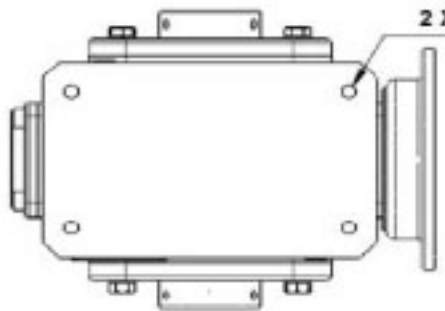


SURPLUS CENTER

800-488-3407
 www.surpluscenter.com
 1015 West "O" St.
 LINCOLN, NE 68528

WorldWide Gear Reducers Hollow Output 325 Series



* Fill in with any ratios

Unit: Inches
 Scale — 1:4.5

A	AB	AC	B	BB	BD	BE	CC	F	H	LL	P	Z
11.42	6.063	9.016	8.76	4.38	5.748	4	3.25	7.5	9.375	3.5	0.856	7/16-14 UNC

Flange						Input Bore		Output Bore				Oil (oz.)
LA	LB	LC	LD	LE	Z1	U	T*V	S	W*Y	Z2	Q	
5.875	4.5	6.5	1.378	0.157	0.433	0.625	3/16*3/32	1.937	1/2*1/4	5/16-24 UNF	2.756	78.46