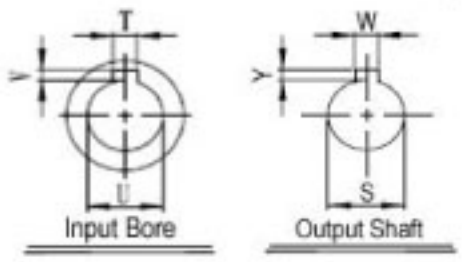
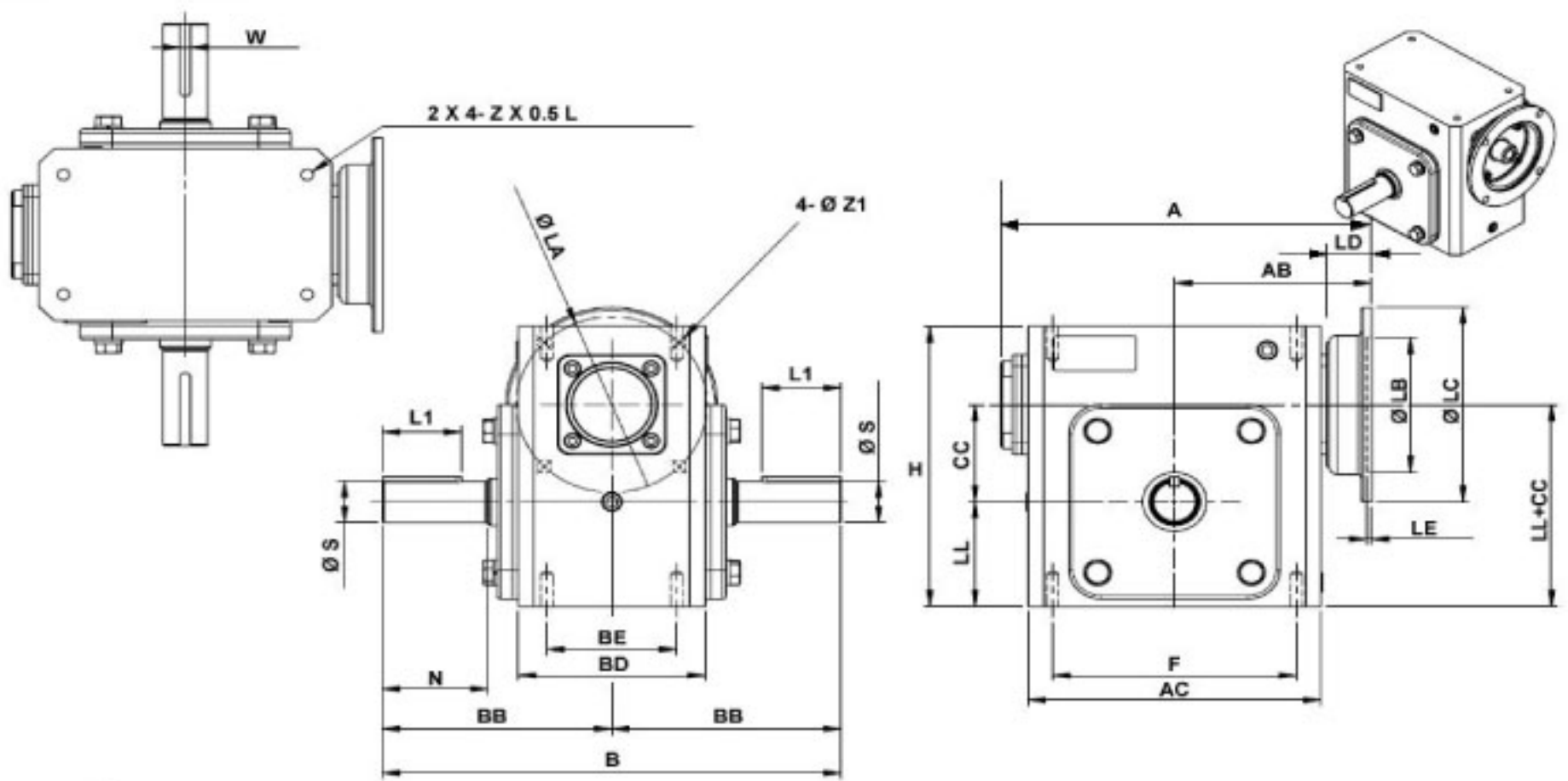


SURPLUS CENTER
 800-488-3407
 www.surpluscenter.com
 1015 West "O" St.
 LINCOLN, NE 68528

WorldWide Gear Reducers
 Dual Output
 325 Series



* Fill in with any ratios

| A | AB | AC | B | BB | BD | BE | CC | F | H | LL | N | Z |
|-------|-------|-------|--------|-------|-------|----|------|-----|-------|-----|------|-------------|
| 11.42 | 6.063 | 9.016 | 14.118 | 7.059 | 5.748 | 4 | 3.25 | 7.5 | 9.375 | 3.5 | 3.25 | 7/16-14 UNC |

| Flange | | | | Input Bore | | Output Shaft | | | Oil (oz.) | | |
|--------|-----|-------|-------|------------|-------|--------------|-----------|-------|-----------|-----------|-------|
| LA | LB | LC | LD | LE | Z1 | U | T*V | L1 | | S | W*Y |
| 5.875 | 4.5 | 6.496 | 1.378 | 0.157 | 0.433 | 0.625 | 3/16*3/32 | 2.438 | 1.375 | 5/16*5/32 | 78.46 |

Unit: Inches
 Scale — 1:4.5