

Two Stage Compressors



4-1287



4-1751



4-1288



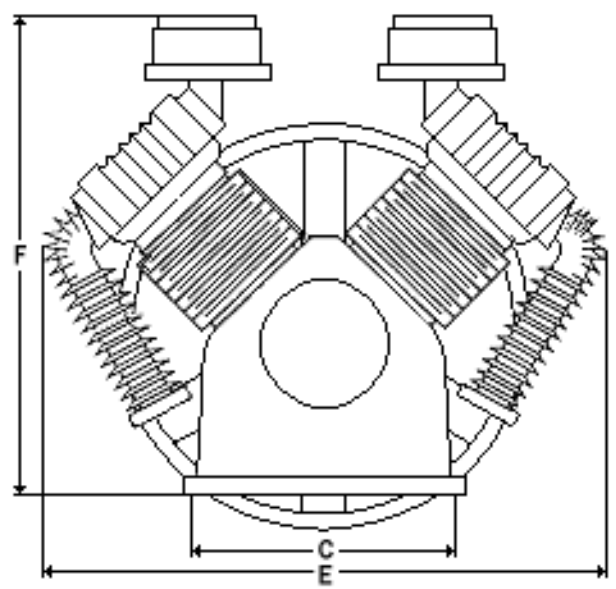
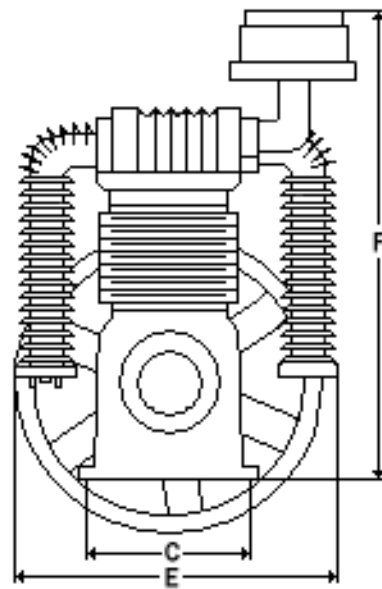
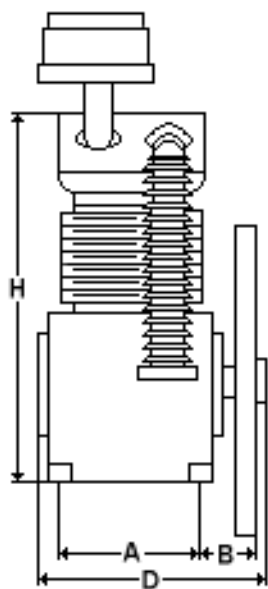
4-1411

- Cast Iron Cylinders
- Reed Valves
- Brass Connection Rod Inserts
- Aluminum Heads & Crankcase for Faster Heat Dissipation
- Deep Finned Extended Intercoolers
- Oil Sight Gauge
- Ball Main Bearings
- Machine Balanced Flywheel

| Item # | Model | HP | RPM | Piston Displ. | ACFM @ 175 PSI |
|--------|-------|-------|------|---------------|----------------|
| 4-1287 | K24 | 3 | 1000 | 14.58 | 10.37 |
| | | 5 | 1250 | 18.25 | 13.14 |
| 4-1751 | K28 | 3 | 800 | 16.66 | 13.02 |
| | | 5 | 1250 | 20.35 | 15.87 |
| 4-1288 | K30 | 5 | 800 | 20.52 | 16.01 |
| | | 7-1/2 | 1200 | 30.78 | 23.63 |
| 4-1411 | K60 | 10 | 800 | 41.04 | 33.65 |
| | | 15 | 1100 | 54.58 | 44.75 |

Two Stage Compressors

| | 4-1287 | 4-1751 | 4-1288 | 4-1411 |
|---------------------|--------|--------|--------|----------|
| Cylinders | 2 | 2 | 2 | 4 |
| Bore L.P. (in.) | 3.54 | 3.74 | 4.13 | 4.13 x 2 |
| Bore H.P. (in.) | 1.97 | 1.97 | 2.05 | 2.05 x 2 |
| Stroke | 2.56 | 2.56 | 3.31 | 3.31 |
| Flywheel Dia. (in.) | 15.16 | 15.16 | 15.16 | 21.65 |
| V-Belts | 2-A | 2-A | 2-A | 2-B |
| Intake (NPT) | 1/2" | 3/4" | 3/4" | 1" x 2 |
| Discharge (NPT) | 1/2" | 3/4" | 3/4" | 1" |
| Oil Capacity (Qt.) | 2 | 2 | 2 | 3 |



| Item # | A | B | C | D | E | F | H |
|--------|-------|-------|--------|--------|--------|--------|--------|
| 4-1287 | 6.41" | 3.94" | 8.09" | 12.20" | 15.16" | 16.33" | 16.33" |
| 4-1751 | 6.41" | 3.94" | 8.09" | 12.20" | 16.33" | 16.61" | 16.61" |
| 4-1288 | 7.48" | 5.31" | 8.97" | 14.17" | 16.33" | 22.24" | 18.70" |
| 4-1411 | 9.60" | 6.30" | 11.73" | 17.52" | 28.93" | 23.62" | 19.29" |