

Single Stage Compressors



4-1470



4-1471



4-1410



4-1473

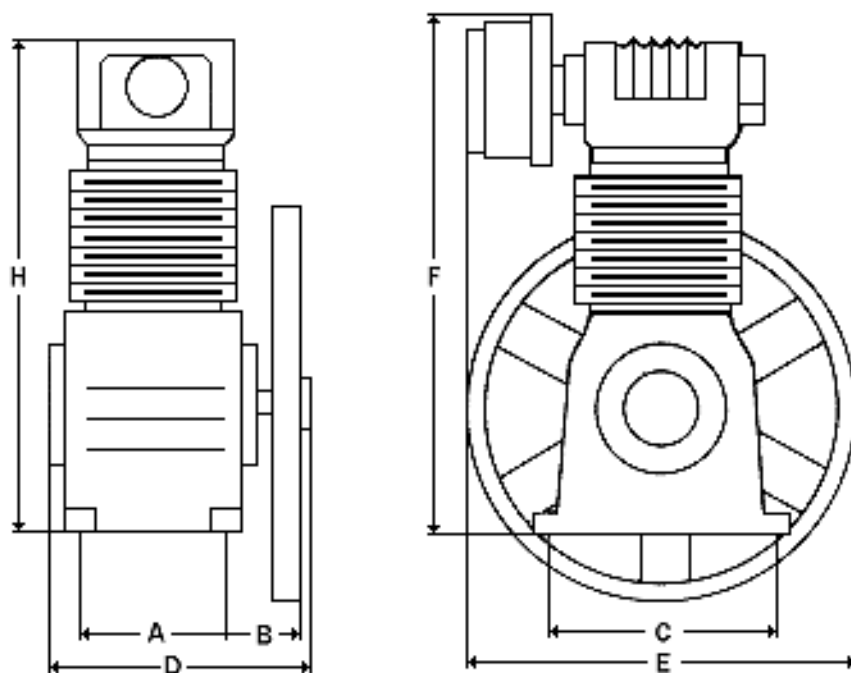
- Cast Iron Cylinders
- Reed Valves
- Machine Balanced Flywheel
- Aluminum Heads & Crankcase for Faster Heat Dissipation
- Oil Sight Gauge
- Ball Main Bearings
- Brass Connection Rod Inserts

Item #	Model	HP	RPM	Piston Displ.	ACFM @ 100 PSI	ACFM @ 40 PSI
4-1470	K3	1/2	700	2.16	1.3	1.81
		3/4	1000	3.09	1.85	2.6
4-1471	K12	1	750	5.96	4.06	5.31
		1-1/2	1000	7.95	5.41	7.08
		2	1200	9.53	6.48	8.48
		* 3	1200	9.53	6.48	8.48
4-1410	K17	1	600	7.32	4.98	6.51
		1-1/2	800	9.07	6.16	8.07
		2	1000	11.33	7.7	10.08
		3	1100	13.42	9.51	11.94
4-1473	K35	5	800	30.16	22.62	25.63

* Special Duty Motor

Single Stage Compressors

	4-1470	4-1471	4-1410	4-1473
Cylinders	1	2	2	2
Bore (in.)	2.08	2.52 x 2	2.61 x 2	3.54 x 2
Stroke	1.57	1.38	1.97	3.31
Max PSI	140	150	150	140
Flywheel Dia. (in.)	10.24	10.24	11.5	15.16
V-Belts	1-A	1-A	1-A	2-A
Intake (NPT)	1/2"	1/2"	1/2"	3/4"
Discharge (NPT)	1/2"	1/2"	1/2"	3/4"
Oil Capacity (oz.)	6	16	36	48



Item #	A	B	C	D	E	F	H
4-1470	3.74"	2.08"	4.53"	9.84"	10.24"	12.99"	12.40"
4-1471	4.96"	3.31"	6.45"	11.22"	10.24"	12.60"	11.81"
4-1410	5.19"	3.94"	7.08"	10.24"	11.50"	14.17"	13.77"
4-1473	7.48"	5.31"	8.97"	14.17"	15.16"	22.04"	18.50"