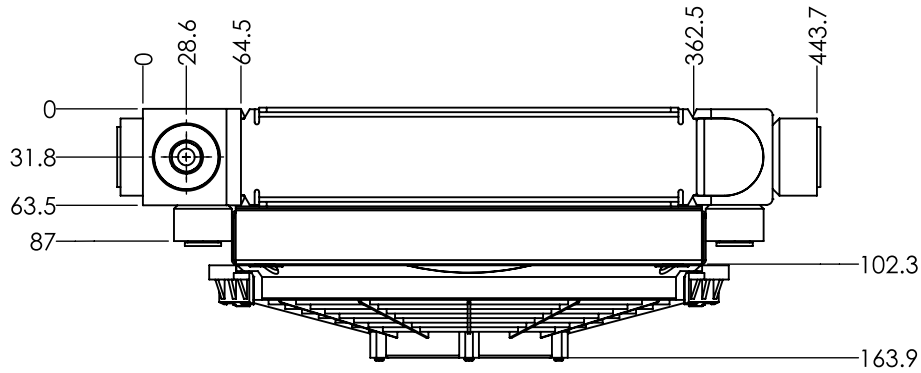
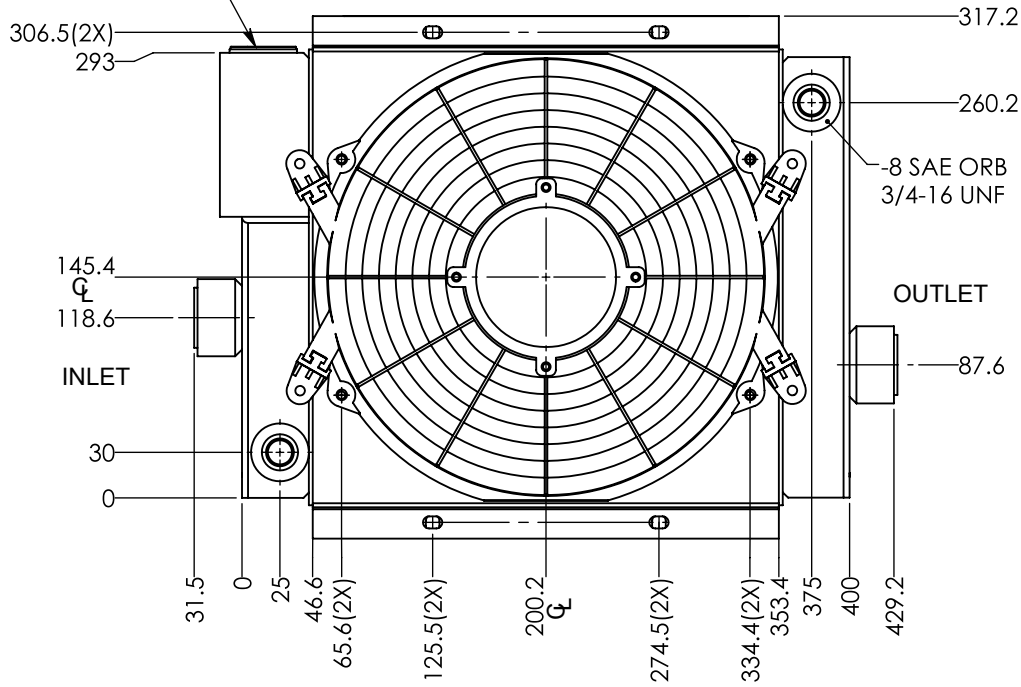


DCS16-12-BP65-6892



INTERNAL BYPASS CHECK VALVE 65PSI
 PRE-INSTALLED AND LOCATED HERE



AIRFLOW

