

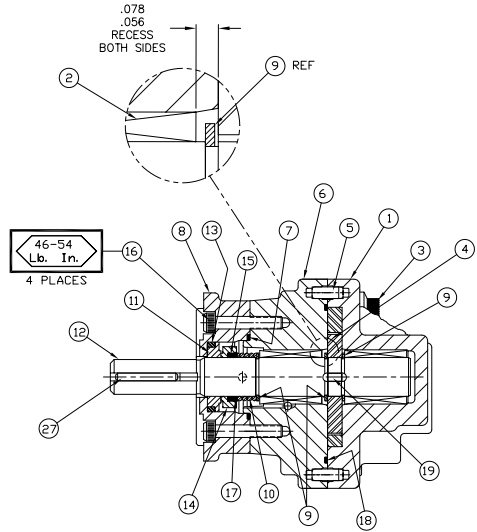
LIST OF MATERIALS

ITEM NO.	PART NO.	QTY.	DESCRIPTION
1	0908110	1	BODY <small>CASTING NO. 0908010</small>
2	0906005	2	BEARING, ROLLER
3	0905401	4	12 POINT SCREWS
4	0905201	1	ELEMENT .0020 GPR
5	0906004	2	DOWEL .187 X .50 LG.
6	0907102	1	COVER (CVR)
7	0906008	1	SEAL, AS 026 O-RING
8	0909101	1	MOUNTING FLANGE <small>CASTING NO. 0909001</small>
9	0906052	3	RING, RETAINING
10	0906010	1	SPRING .787 D.D.
11	0906012	1	SEAL, SEAT
12	0905101	1	SHAFT
13	0906036	1	SEAL, AS 119 O-RING
14	0906011	1	SEAL, CUP
15	0906030	1	SEAL, 55 114 1700 O-RING
16	0906002	4	SCREW, HSHC #10-24
17	0906013	1	WASHER .64 x .77 x .055 THK
18	0906007	1	SEAL, AS 037 O-RING
19	0905301	1	PIN, DRIVE
20	0906031	2	PLUG, #2 SAE SDC HD
21	0906026	2	SPRING
22	0088830	2	STEEL BALL 74-187
23	0906028	2	SEAT
24	0906051	1	NAMEPLATE, BLANK
25	0906023	2	SCREW, HEX HD #2-56
26			
27	0017841	1	KEY 1/8 x 1/8 x 1' LG
	SPT-0030	1	TEST SPEC #030
	0089237	2	CAP PLUGS 81-WW8x

SERVICE KITS

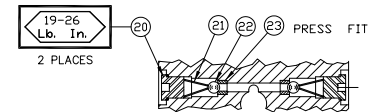
* 0904824	1	SEAL KIT WITH BEARINGS
* 0904804	1	SEAL KIT

* DO NOT USE KITS FOR COST OR ASSEMBLY ORDER FOR SERVICE ONLY

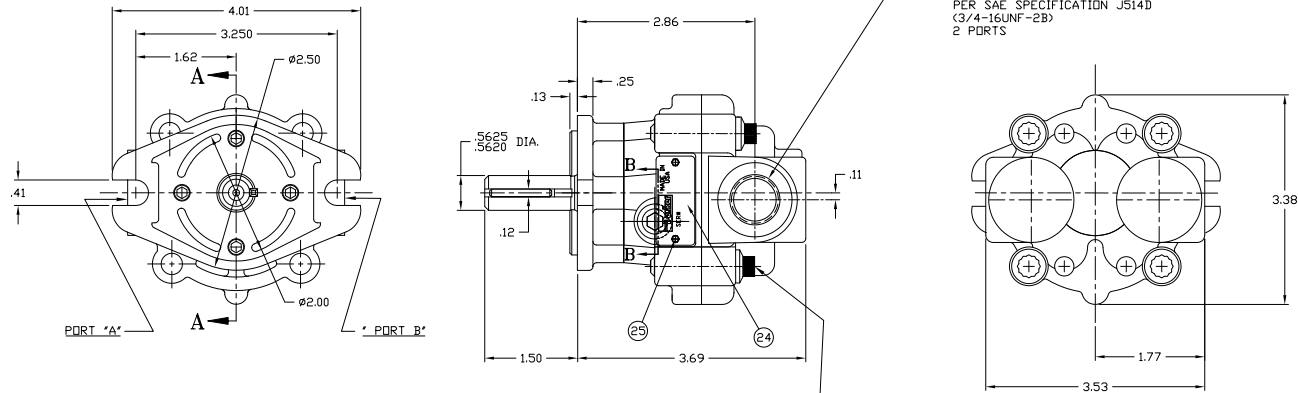


SECTION A-A

MOTOR SPECIFICATIONS	U.S. UNIT	SI UNIT
1. DISPLACEMENT	.218 IN ³ /REV	3.57 CM ³ /REV
2. SHAFT ROTATION	BI-DIRECTIONAL	BI-DIRECTIONAL
3. RATED SPEED	5000 RPM	5000 RPM
4. RATED PRESSURE		
DIFFERENTIAL MOTOR PRESSURE		
CONTINUOUS	2000 PSI	138.0 BAR
INTERMITTENT	2500 PSI	172.5 BAR
5. RECOMMENDED OIL VISCOSITY		
NOM	150 SUS	32 CST
MIN	60 SUS	13 CST
6. TORQUE/1000 PSI	35 IN-LBS	40 KG - CM
7. WEIGHT	2.8 LBS	1.25 KG



SECTION B-B



SHAFT ROTATION

