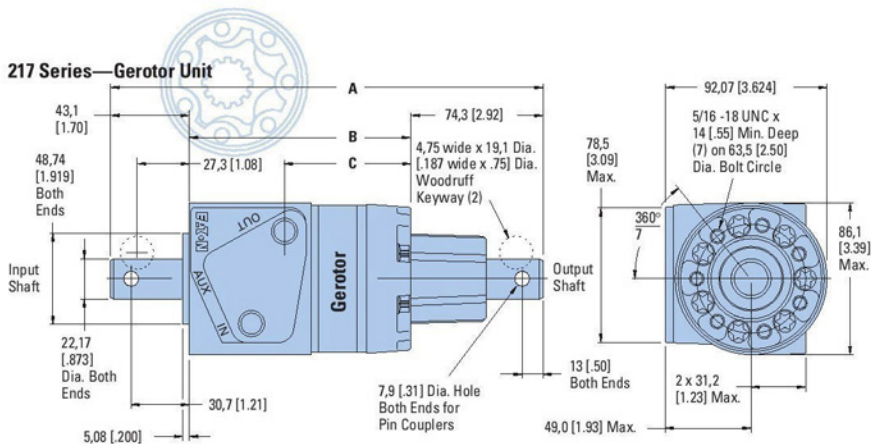


Torque Generator

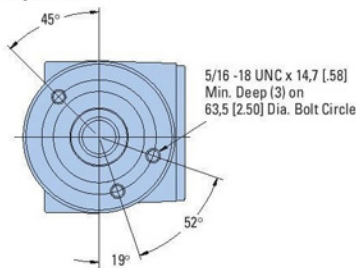
Installation Drawing

217 Series—Gerotor Unit



	Displacement cm ³ /r [in ³ /r]	Dimension mm [inch]		C
		A	B	
217 Series	96,1 [5.86]	231,9 [9.13]	114,5 [4.51]	60,4 [2.38]
(Gerotor Unit)	159,6 [9.73]	240,6 [9.47]	123,2 [4.85]	69,3 [2.73]

Input End



	Displacement cm ³ /r [in ³ /r]	Dimension mm [inch]	
		C	D
217 Series	96,1 [5.86]	60,4 [2.38]	63,5 [2.50]
(Geroler® Unit)	159,6 [9.73]	69,3 [2.73]	72,1 [2.84]