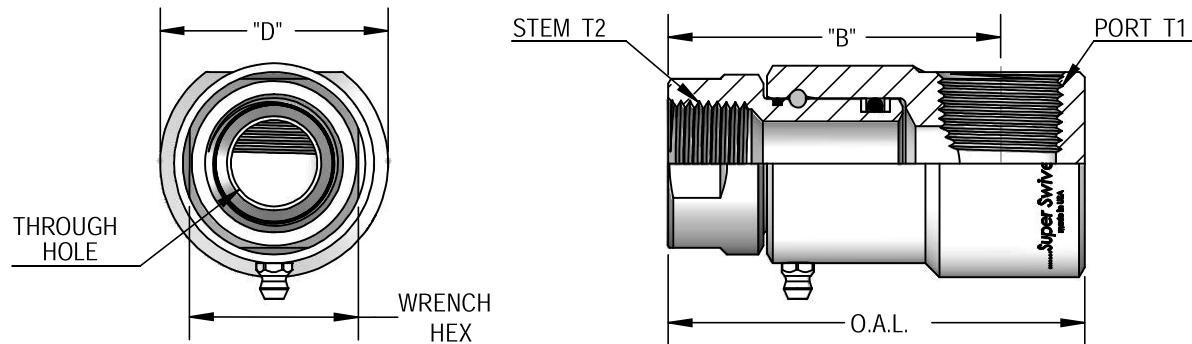


Female Pipe (N.P.T.F.) X Female Pipe (N.P.T.F.)



| ITEM NUMBER | PART NUMBER | O.A.L. | DIM. B | DIM. D Ø | WRENCH/HEX | PORT T1 | STEM T2 | SWG. RADIUS | MAX. P.S.I.G. | THROUGH HOLE |
|----------------|-----------------------|--------|--------|----------|------------|-----------------|-----------------|-------------|---------------|--------------|
| 9-LV5504-4-4 | 9 SS 4 FP 25 X FP 25 | 2.240 | 1.875 | 1.192 | 0.750 | 1/4-18 N.P.T.F. | 1/4-18 N.P.T.F. | 0.525 | 5000 | 0.250 |
| 9-LV5504-6-6 | 9 SS 8 FP 38 X FP 38 | 2.673 | 2.126 | 1.495 | 0.875 | 3/8-18 N.P.T.F. | 3/8-18 N.P.T.F. | 0.588 | 5000 | 0.530 |
| 9-LV5504-8-8 | 9 SS 8 FP 50 X FP 50 | 2.820 | 2.275 | 1.495 | 1.125 | 1/2-14 N.P.T.F. | 1/2-14 N.P.T.F. | 0.588 | 5000 | 0.530 |
| 9-LV5504-12-12 | 9 SS 12 FP 75 X FP 75 | 3.030 | 2.365 | 1.710 | 1.375 | 3/4-14 N.P.T.F. | 3/4-14 N.P.T.F. | 0.662 | 4500 | 0.609 |