

1

2

3

4

5

6

7

A

B

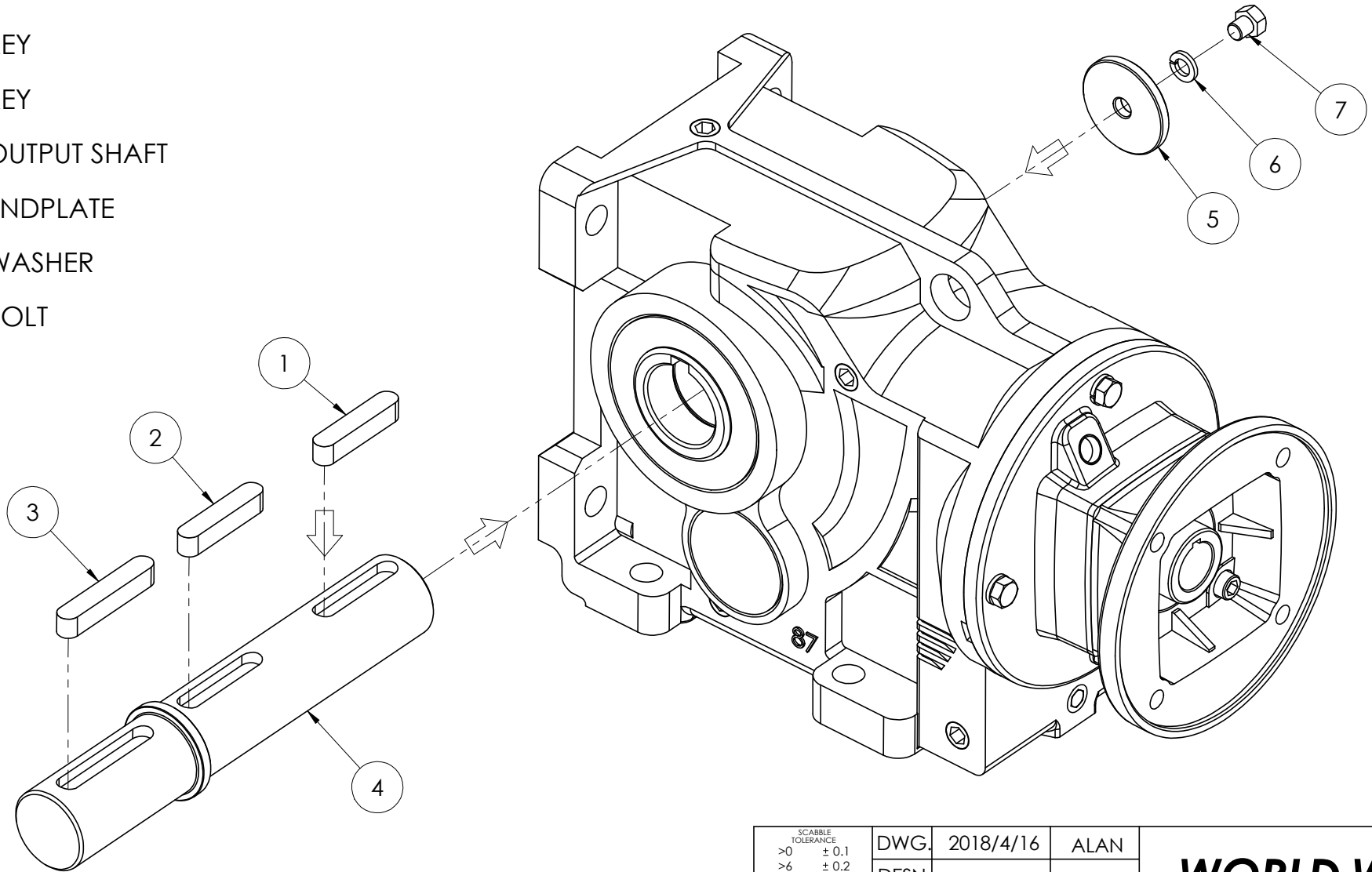
C

D

E

F

- 1.KEY
- 2.KEY
- 3.KEY
- 4.OUTPUT SHAFT
- 5.ENDPLATE
- 6.WASHER
- 7.BOLT



SCABBLE TOLERANCE >0 ± 0.1 >6 ± 0.2 >30 ± 0.3 >120 ± 0.5 >315 ± 0.8 MACHINING REQUIRED ~ NO-MACHINING ▽ 50S ▽▽ 25S ▽▽▽ 6S ANG. TOLERANCE ±0.5	DWG.	2018/4/16	ALAN	WORLD WIDE
	DESN.			
	APPR.			
	DATE		NAME	TITLE
				KHN87-OPS-S
SCALE	1:4			DWG. NO.
				KHN87-213TC
				REV.
				A