

1

2

3

4

5

6

7

A

B

C

D

E

F

1.KEY

2.KEY

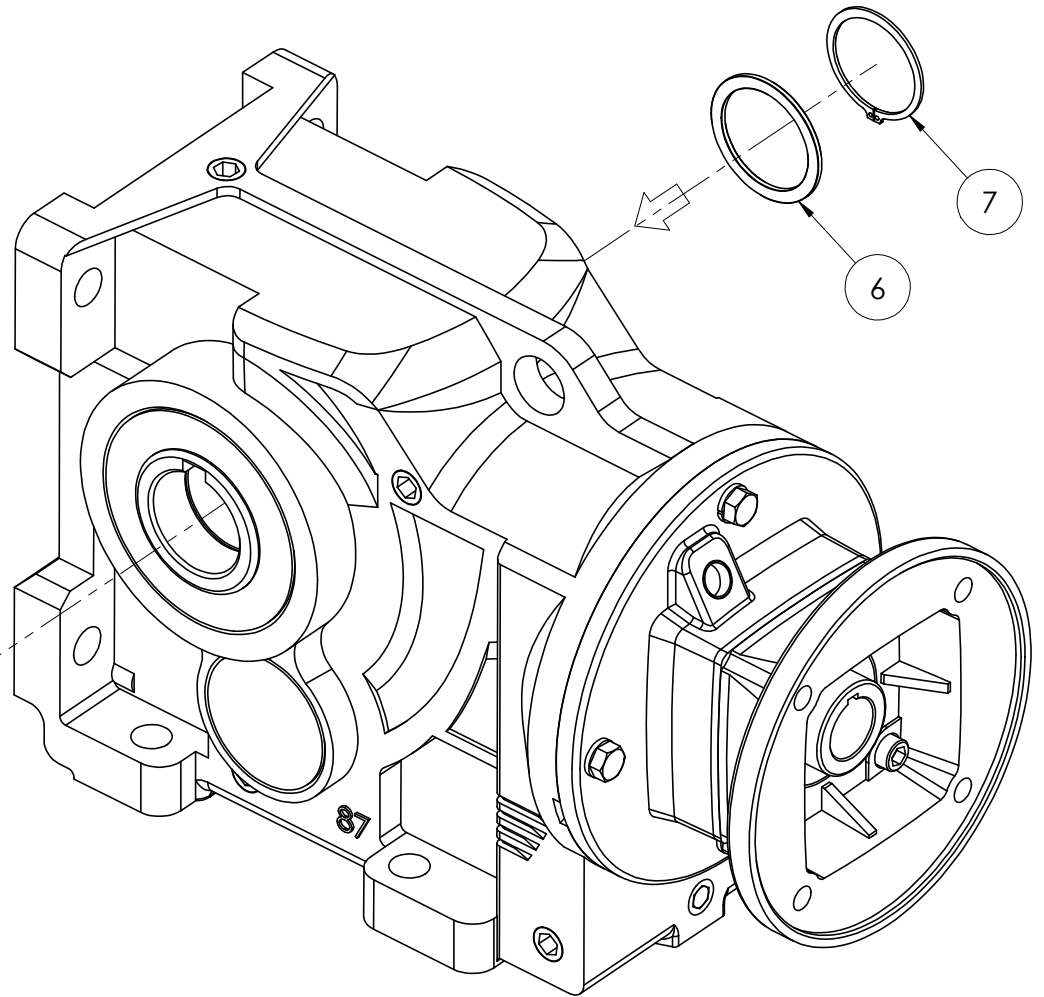
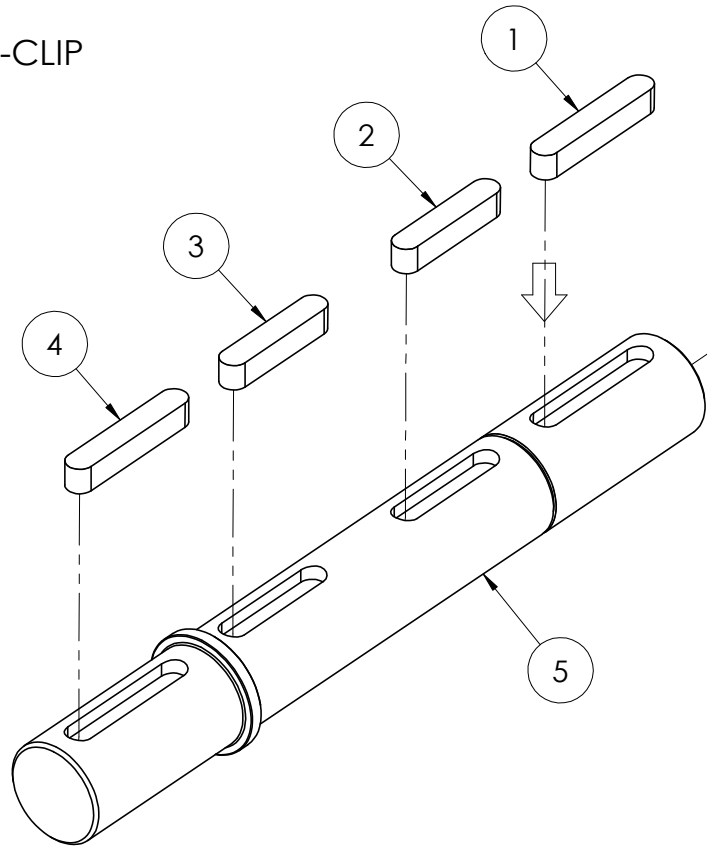
3.KEY

4.KEY

5.OUTPUT SHAFT

6.RETAINING RING

7.C-CLIP



SCABBLE TOLERANCE	
>0	± 0.1
>6	± 0.2
>30	± 0.3
>120	± 0.5
>315	± 0.8

MACHINING REQUIRED	
~	NO-MACHINING
▽	50S
▽▽	25S
▽▽▽	6S
ANG. TOLERANCE ±0.5	

DWG.	2018/4/16	ALAN
DESN.		
APPR.		

	DATE	NAME
SCALE	1:4	

WORLD WIDE		TITLE	KHN87-OPS-DS	
		DWG. NO.	KHN87-213TC	REV.