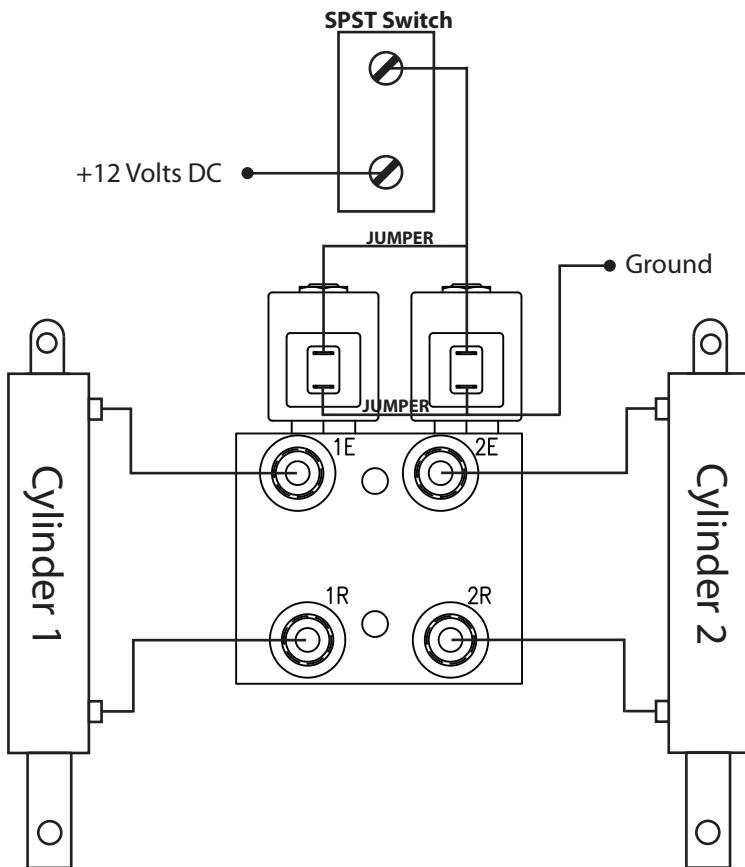


Connect VE to the extend port of the remote outlets on your tractor or to the work ports of a double acting valve, whichever applies.

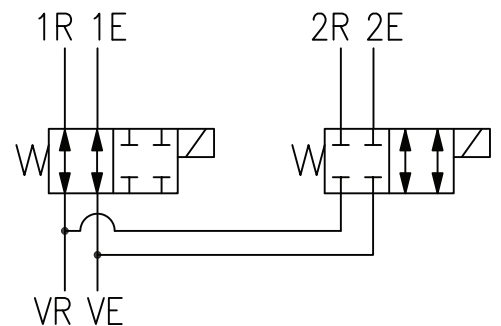
Connect VR to the retract port of the remote outlets on your tractor or to the work ports of a double acting valve, whichever applies.



A SPST (Single Pole Single Throw) switch can be used to switch the solenoids. Power both solenoids at the same time.

The first double acting circuit connects to ports 1E and 1R. The second double acting circuit connects to ports 2E and 2R.

Circuit Diagram



Open Center and Closed Center Circuits: Valve can be used as a selector valve to make a single set of outlets act like two. Use a SPST switch to power both solenoids at the same time.