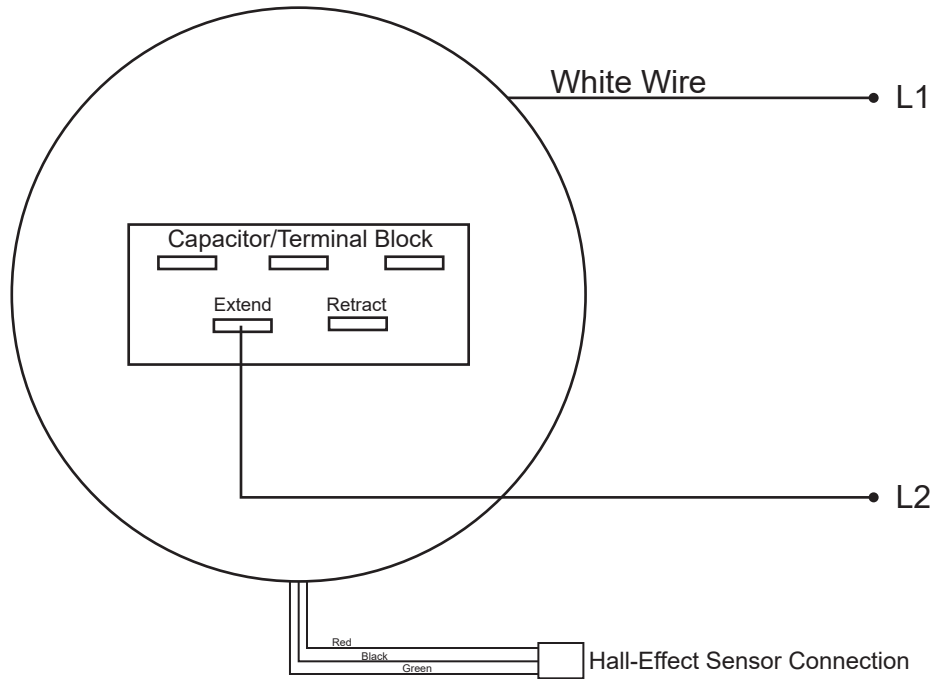


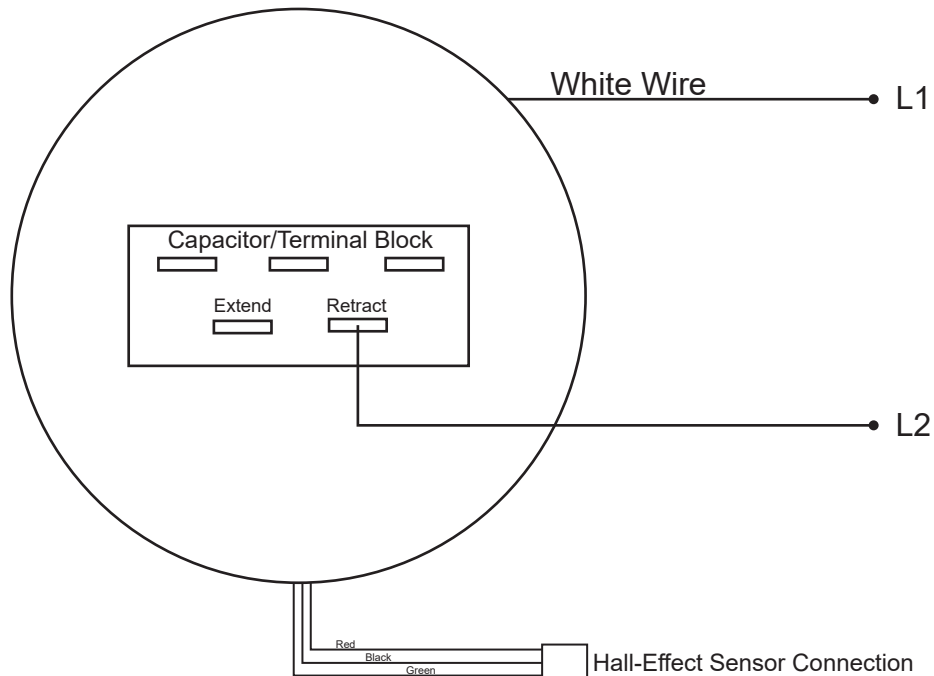
Extend



120 Volts AC

The 'Capacitor/Terminal Block' is located underneath the plastic cover.

Retract



120 Volts AC