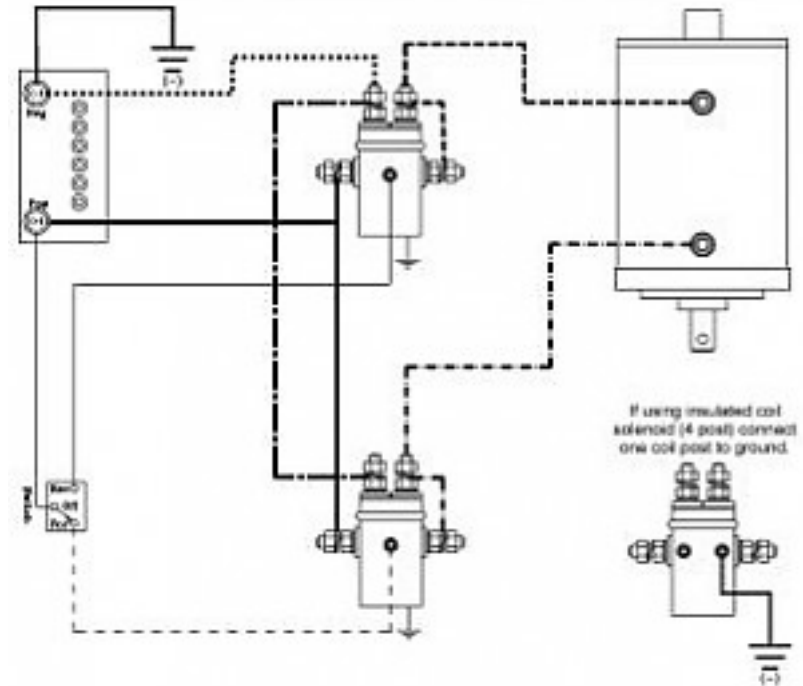


(Late Style Wiring Design)
This is for a three post bi-directional motor with field coils



(Late Wiring Design)
Permanent magnet bi-directional motor