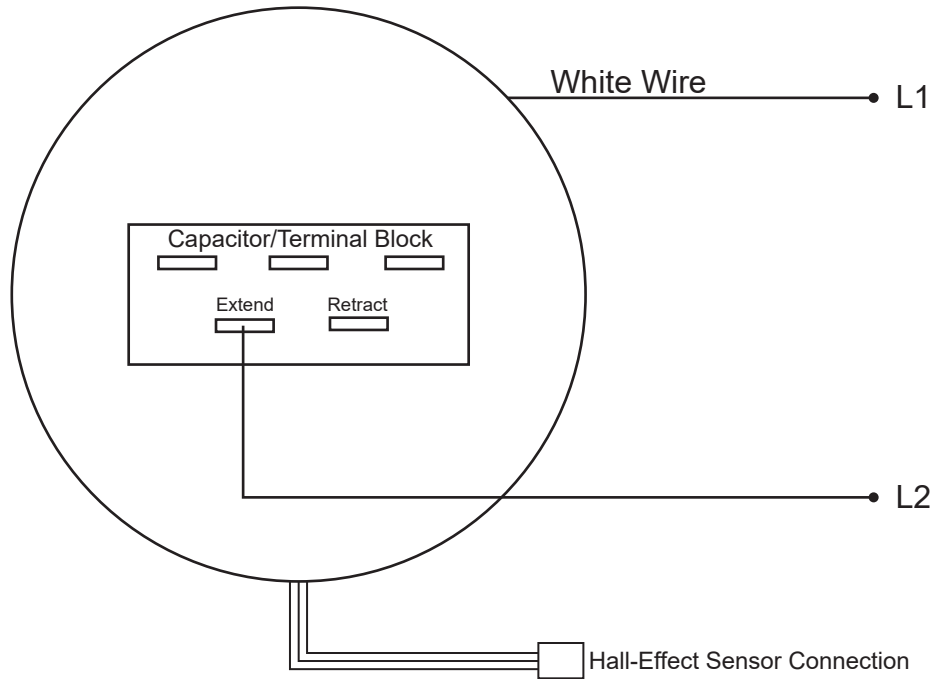


Extend



Retract

