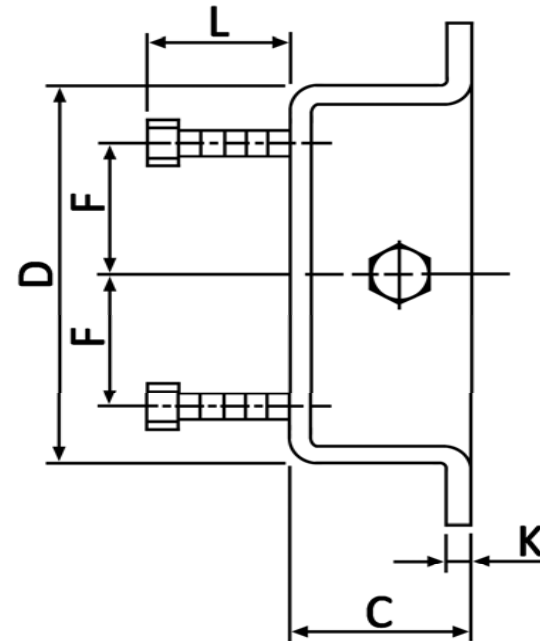
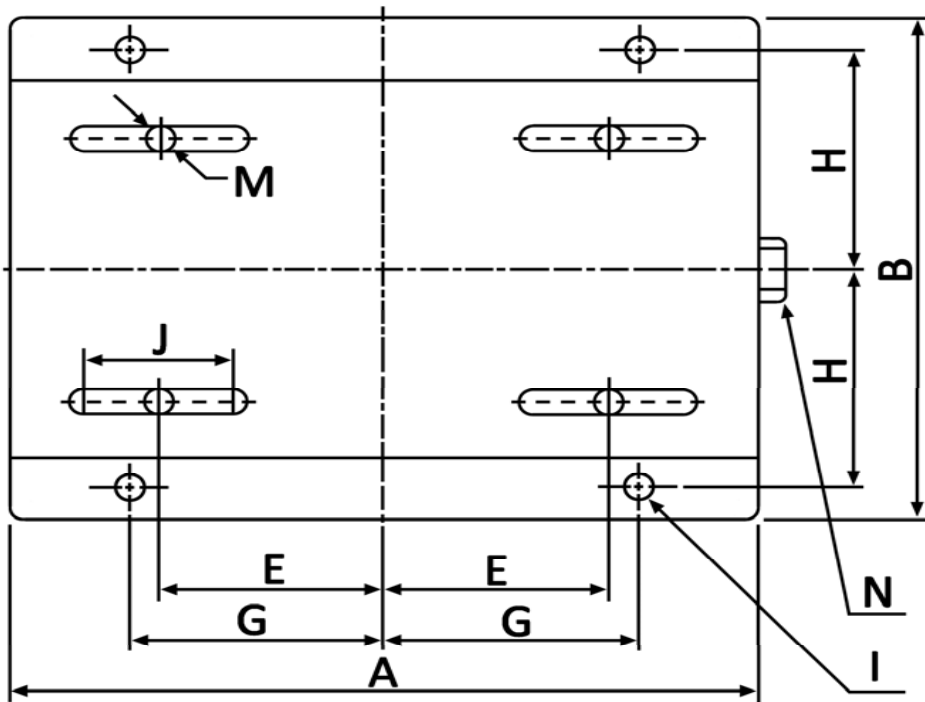




Motor Slide Base Dimensions



Surplus Center Item Number	A	B	C	D	E	F	G	H	I	J	K	L	M	Bolt Size N
10-2431-56	10-5/8"	6-1/2"	1-1/8"	4-1/2"	2-7/16"	1-1/2"	3-13/16"	2-7/8"	3/8"	3"	0.078"	7/8"	5/16" x 1"	3/8" x 4"
10-2431-143T	10-1/2"	7-1/2"	1-1/8"	5-1/2"	2-3/4"	2"	3-3/4"	3-3/8"	3/8"	3"	0.118"	13/16"	5/16" x 1"	3/8" x 4"
10-2431-145T	10-1/2"	8-1/2"	1-1/8"	6-1/2"	2-3/4"	2-1/2"	3-3/4"	3-7/8"	3/8"	3"	0.118"	13/16"	5/16" x 1"	3/8" x 4"