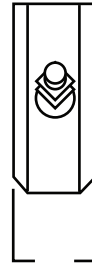
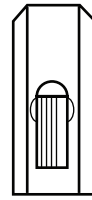
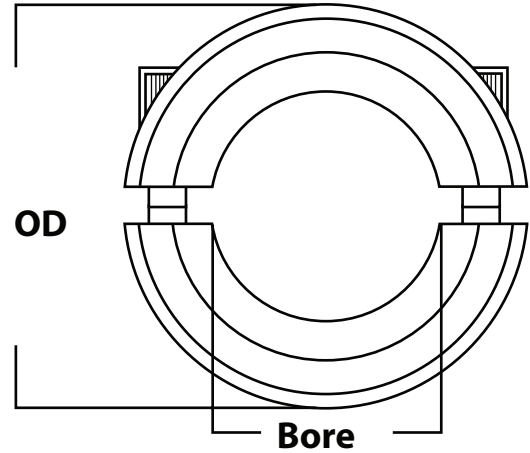


- All Double Split Shaft Collars include two Cap Screw installed.
- Finish is Black Oxide.

**Width****OD****Bore**

DOUBLE SPLIT SHAFT COLLARS

Item #	Bore	O.D.	Width	Clamp Screws
1-2768-18	3/16	5/8	5/16	4-40
1-2768-25	1/4	11/16	5/16	4-40
1-2768-31	5/16	11/16	5/16	4-40
1-2768-37	3/8	7/8	7/16	6-32
1-2768-43	7/16	15/16	3/8	6-32
1-2768-50	1/2	1-1/8	11/32	8-32
1-2768-62	5/8	1-5/16	7/16	10-32
1-2768-75	3/4	1-1/2	1/2	1/4-28
1-2768-87	7/8	1-5/8	1/2	1/4-28
1-2768-93	15/16	1-3/4	1/2	1/4-28
1-2768-100	1	1-3/4	1/2	1/4-28
1-2768-112	1-1/8	1-7/8	1/2	1/4-28
1-2768-118	1-3/16	2-1/16	1/2	1/4-28
1-2768-125	1-1/4	2-1/16	1/2	1/4-28
1-2768-137	1-3/8	2-1/4	9/16	1/4-28
1-2768-143	1-7/16	2-1/4	9/16	1/4-28
1-2768-150	1-1/2	2-3/8	9/16	1/4-28
1-2768-162	1-5/8	2-5/8	11/16	5/16-24
1-2768-168	1-11/16	2-3/4	11/16	5/16-24
1-2768-175	1-3/4	2-3/4	11/16	5/16-24
1-2768-187	1-7/8	2-7/8	11/16	5/16-24
1-2768-193	1-15/16	3	11/16	5/16-24
1-2768-200	2	3	11/16	5/16-24