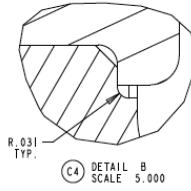
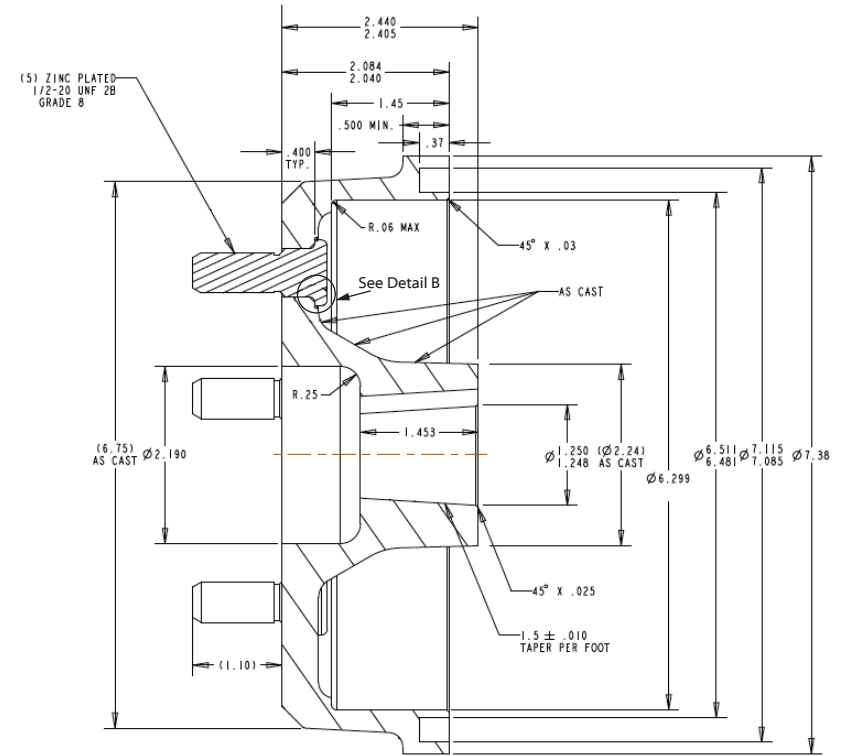
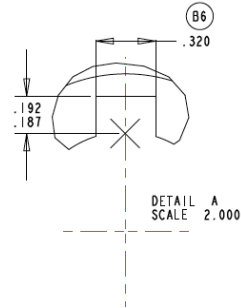


Detail B



Detail A



See Detail A

