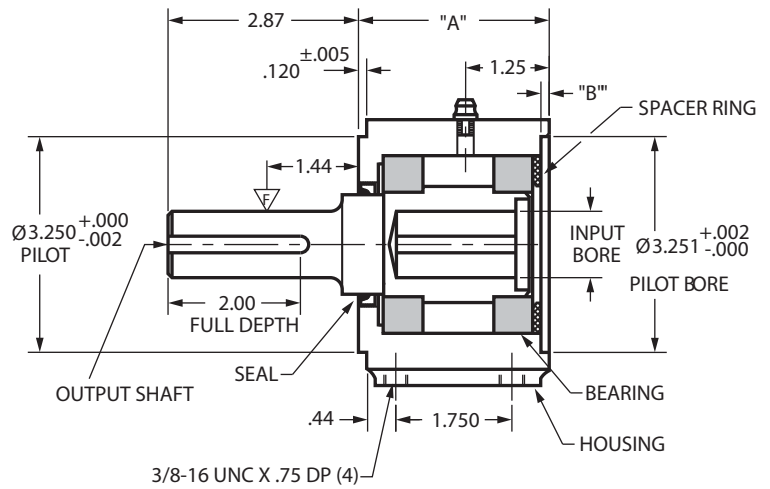
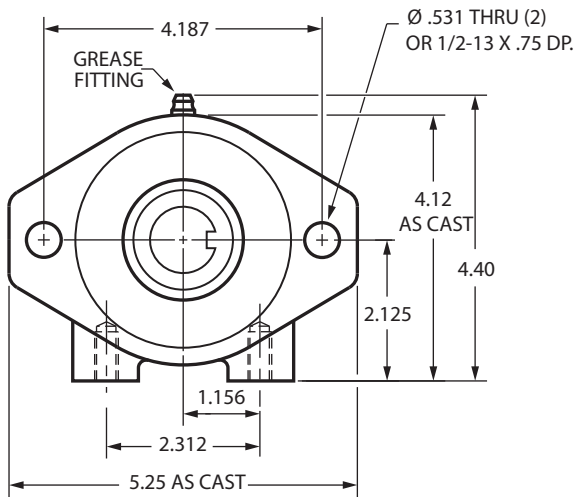


Item #	Model	Output Shaft - Keyway	Input Bore - Keyway
13-1562-A	210	1.00 - 1/4 x 1/8	1.00 - 1/4 x 1/8
13-1562-B	210-10	1.00 - 1/4 x 1/8	.625 - 5/32 x 5/64
13-1562-C	210-12	1.00 - 1/4 x 1/8	.750 - 3/16 x 3/32



	"A"	"B"
STANDARD HOUSING	2.875	.125 +.005 - .000
DEEP PILOT HOUSING	3.000	.250 +.005 - .000