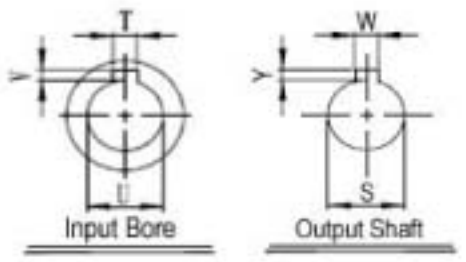
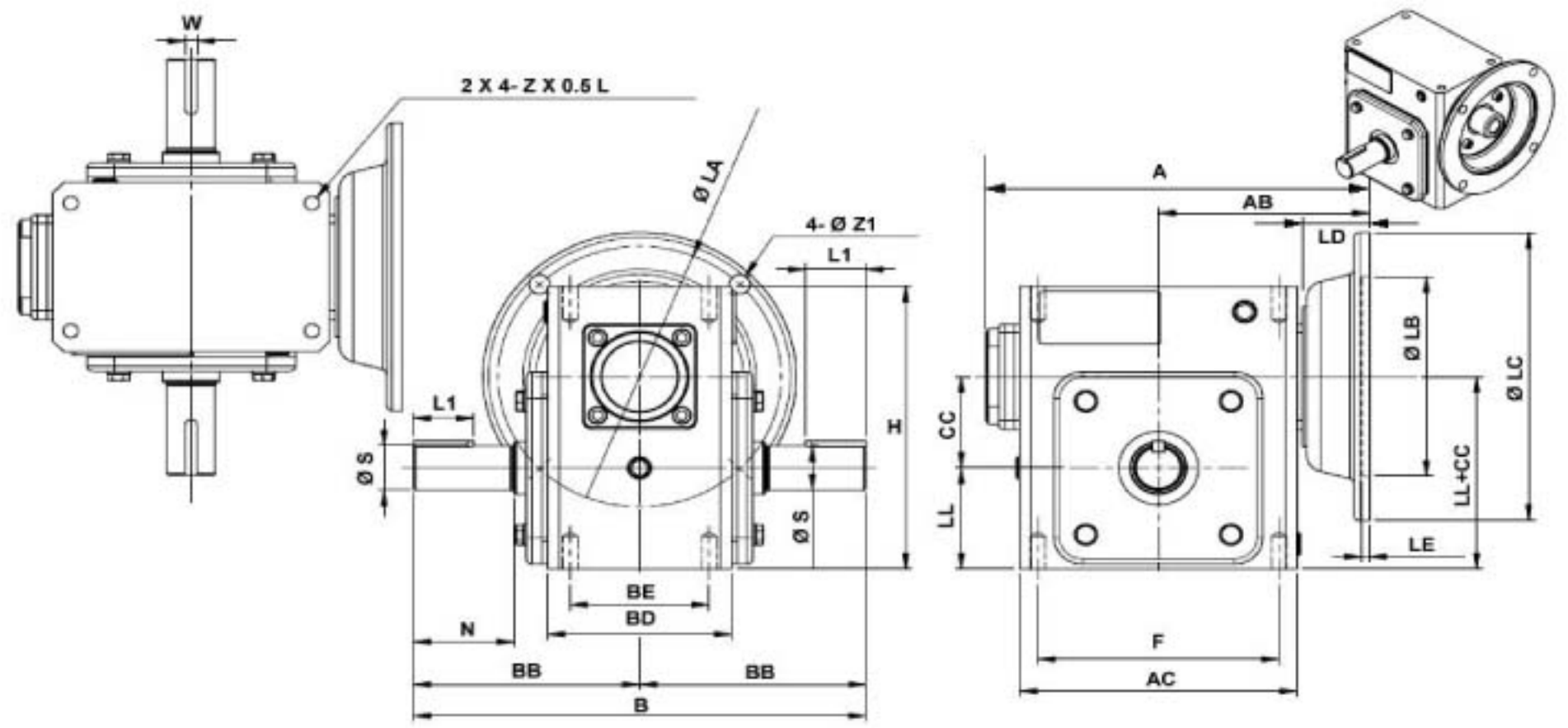


WorldWide Gear Reducers
 Dual Output
 206 Series



* Fill in with any ratios

A	AB	AC	B	BB	BD	BE	CC	F	H	LL	N	Z
7.95	4.37	5.748	9.38	4.69	3.819	2.88	2.062	5	6.375	2.281	2.09	3/8-16 UNC

Flange						Input Bore		Output Shaft			Oil (oz.)
LA	LB	LC	LD	LE	Z1	U	T*V	L1	S	W*Y	
5.875	4.5	6.496	1.378	0.157	0.433	0.625	3/16*3/32	1.25	1	1/4*1/8	16.14

Unit: Inches
 Scale — 1:3