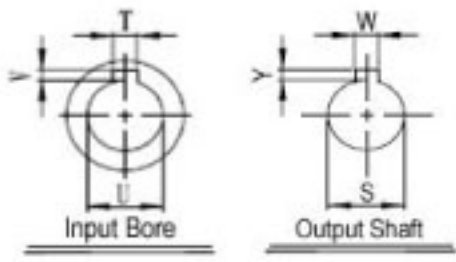
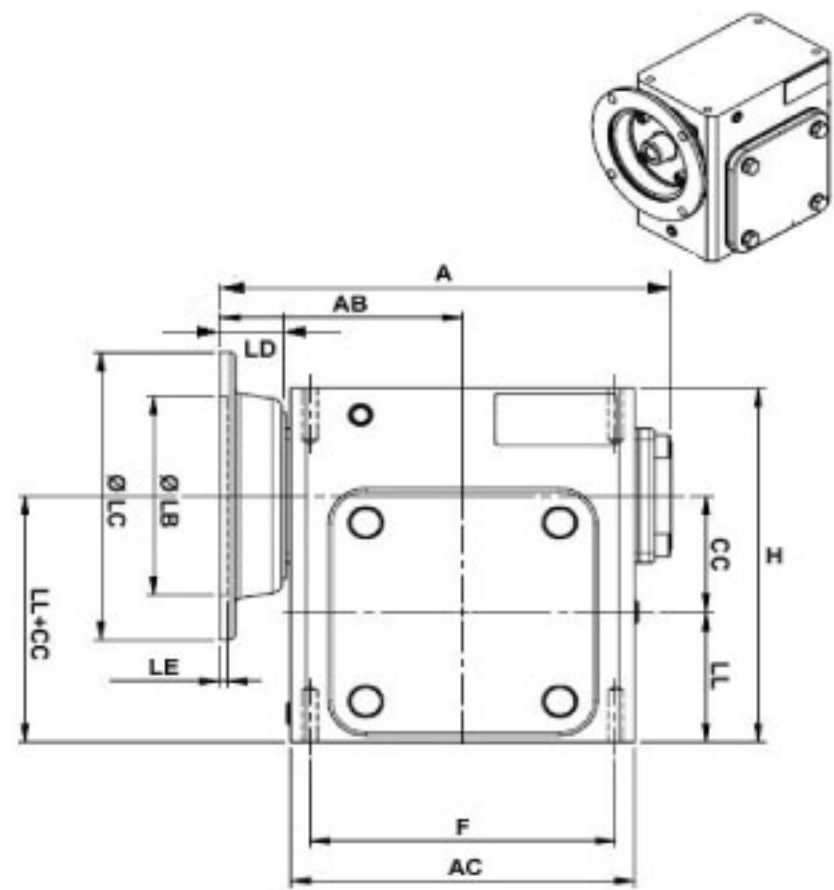
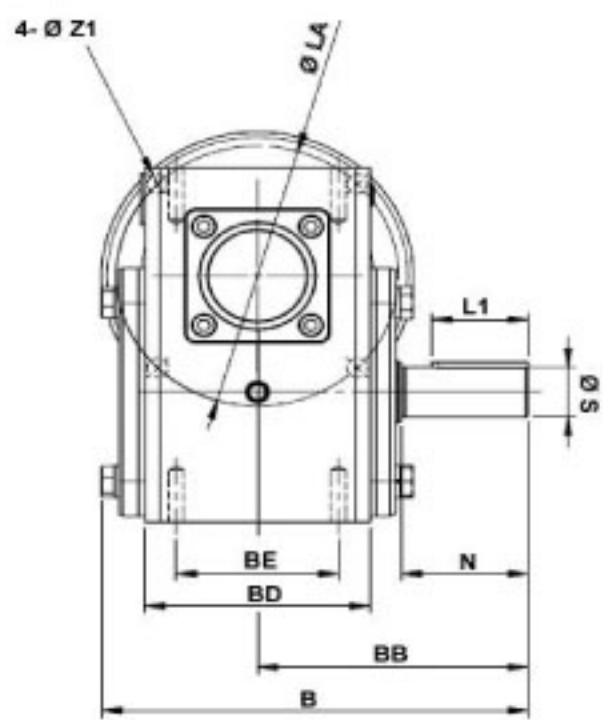
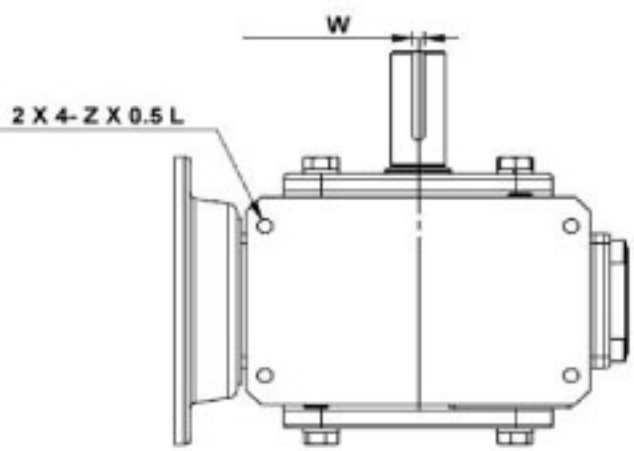


SURPLUS CENTER

800-488-3407
 www.surpluscenter.com
 1015 West "O" St.
 LINCOLN, NE 68528

WorldWide Gear Reducers Left Output 262 Series



* Fill in with any ratios

| A | AB | AC | B | BB | BD | BE | CC | F | H | LL | N | Z |
|------|-------|-------|-------|------|-------|-------|-------|-------|---|-------|-------|------------|
| 9.41 | 5.059 | 7.165 | 8.872 | 5.63 | 4.685 | 3.375 | 2.625 | 6.375 | 8 | 2.938 | 2.626 | 3/8-16 UNF |

| Flange | | | | Input Bore | | Output Shaft | | | Oil (oz.) | | |
|--------|-----|-------|-------|------------|-------|--------------|-----------|----|-----------|---------|-------|
| LA | LB | LC | LD | LE | Z1 | U | T*V | L1 | | S | W*Y |
| 5.875 | 4.5 | 6.496 | 1.378 | 0.157 | 0.433 | 0.625 | 3/16*3/32 | 2 | 1.125 | 1/4*1/8 | 41.42 |

Unit: Inches
 Scale --- 1:4