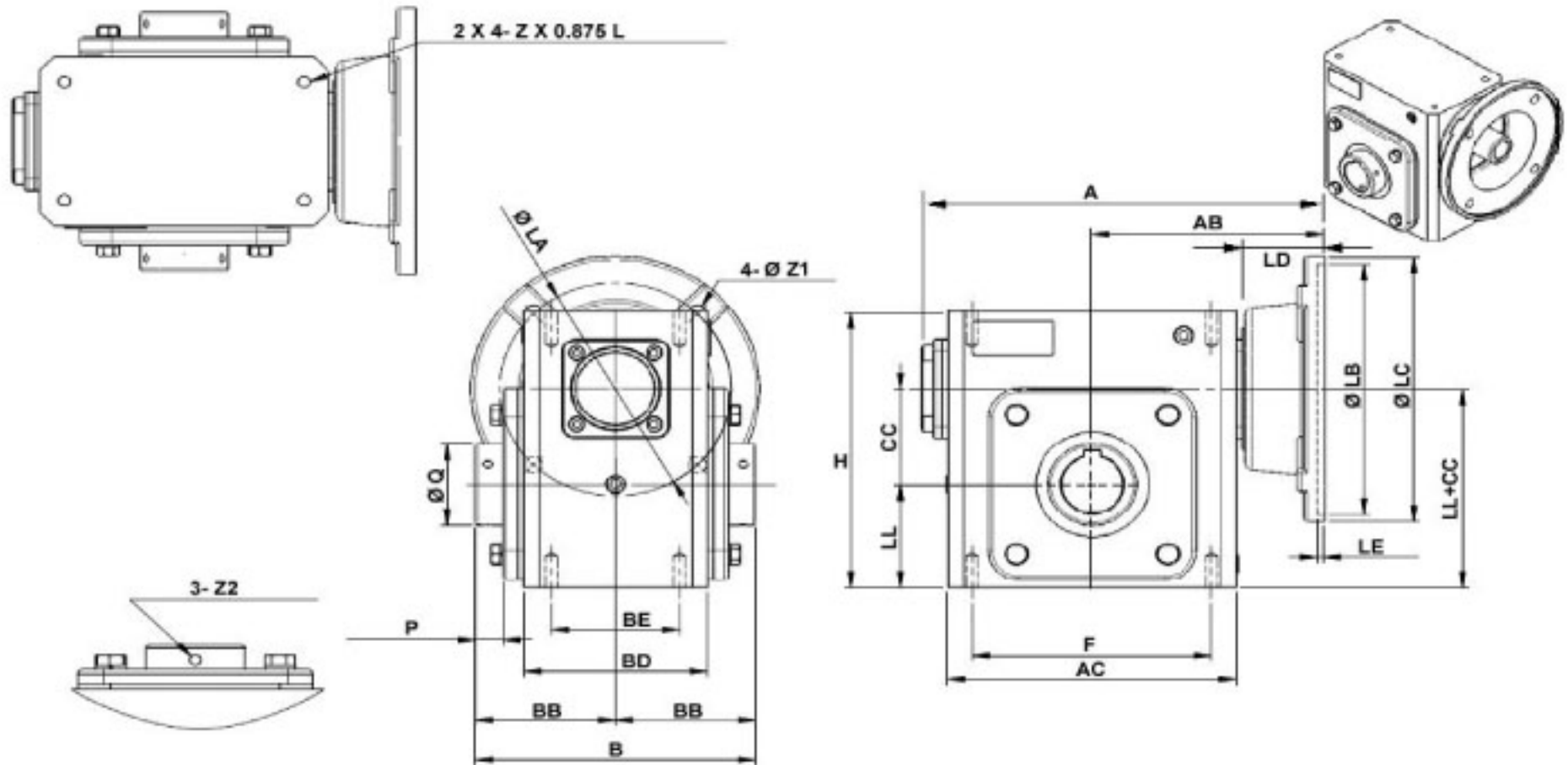


# SURPLUS CENTER

800-488-3407  
 www.surpluscenter.com  
 1015 West "O" St.  
 LINCOLN, NE 68528

## WorldWide Gear Reducers Hollow Output 325 Series



Unit: Inches  
 Scale — 1:4.5

\* Fill in with any ratios

A	AB	AC	B	BB	BD	BE	CC	F	H	LL	P	Z
12.6	7.244	9.016	8.76	4.38	5.748	4	3.25	7.5	9.375	3.5	0.856	7/16-14 UNC

Flange						Input Bore		Output Bore				Oil (oz.)
LA	LB	LC	LD	LE	Z1	U	T*V	S	W*Y	Z2	Q	
7.25	8.5	9	2.559	0.197	0.551	1.125	1/4*1/8	1.937	1/2*3/16	5/16-24 UNF	2.756	78.46

