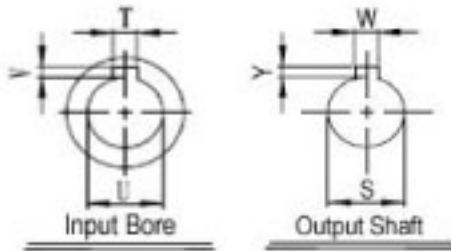
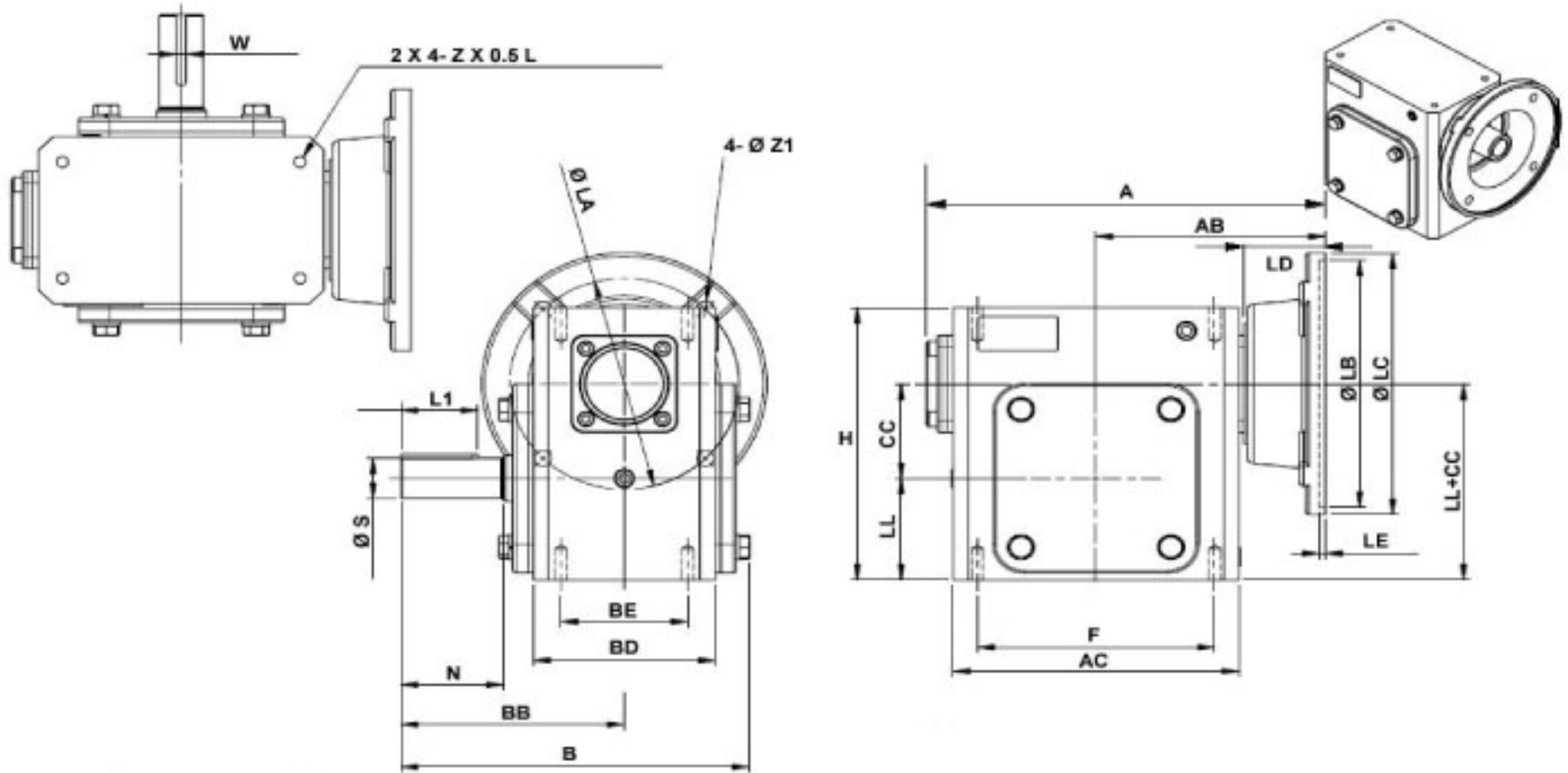


SURPLUS CENTER

800-488-3407
 www.surpluscenter.com
 1015 West "O" St.
 LINCOLN, NE 68528

WorldWide Gear Reducers Right Output 325 Series



* Fill in with any ratios

| A | AB | AC | B | BB | BD | BE | CC | F | H | LL | N | Z |
|-------|-------|-------|--------|-------|-------|----|------|-----|-------|-----|------|-------------|
| 12.59 | 7.244 | 9.016 | 11.014 | 7.059 | 5.748 | 4 | 3.25 | 7.5 | 9.375 | 3.5 | 3.25 | 7/16-14 UNC |

| Flange | | | Input Bore | | Output Shaft | | | Oil (oz.) | | | |
|--------|-----|----|------------|-------|--------------|-------|---------|-----------|-------|-----------|-------|
| LA | LB | LC | LD | LE | Z1 | U | T*V | | L1 | S | W*Y |
| 7.25 | 8.5 | 9 | 2.559 | 0.197 | 0.551 | 1.125 | 1/4*1/8 | 2.438 | 1.375 | 5/16*5/32 | 78.46 |

Unit: Inches
 Scale — 1:4.5