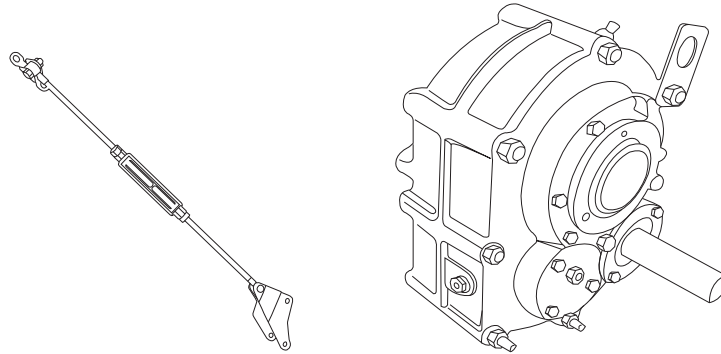


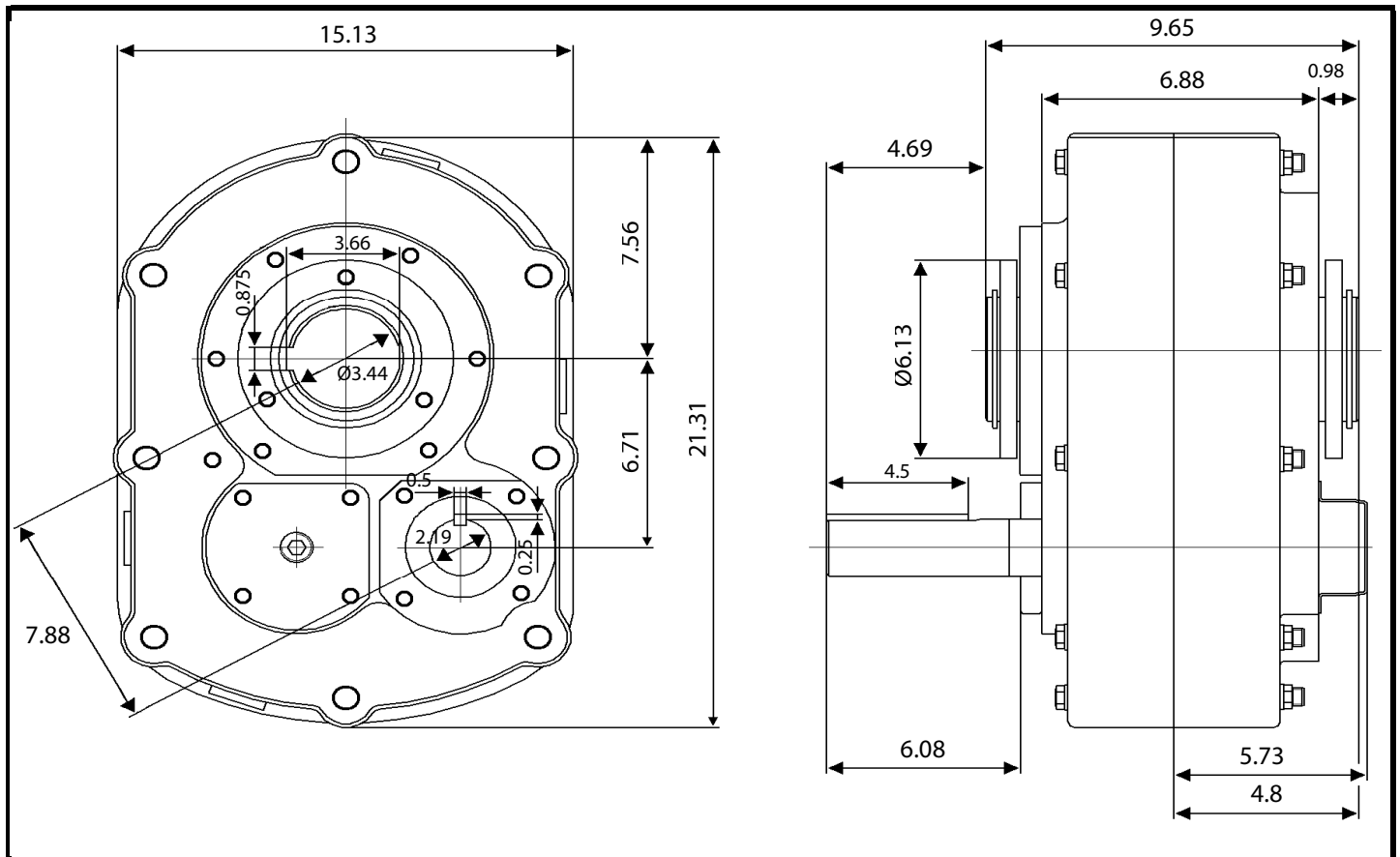


SHAFT MOUNT SPEED REDUCER MODEL # SMR6-15/1 & SMR6-25/1



SPECIFICATIONS - Exact Dimensional Drop-In For All Major Makes

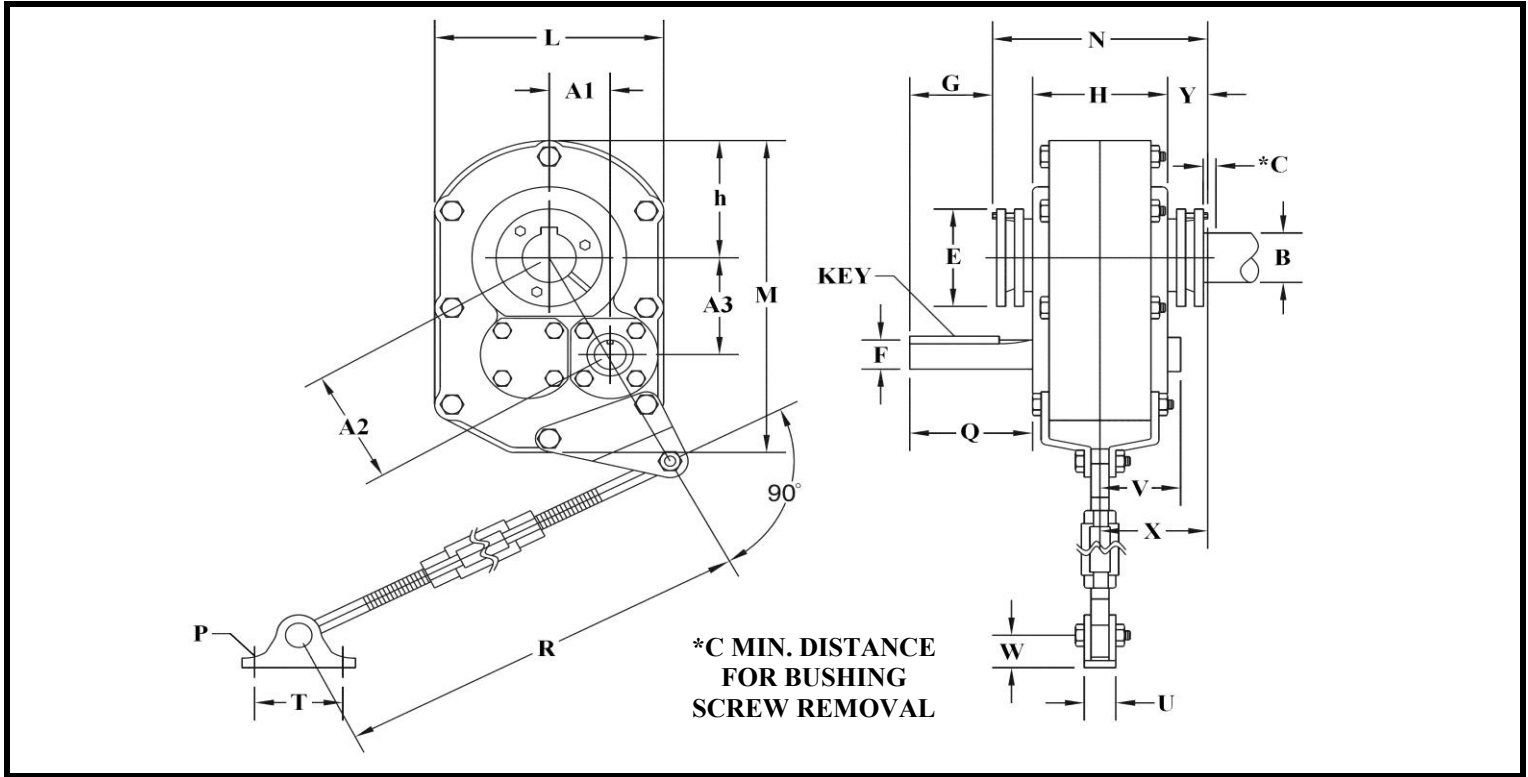
Box Size	Ratio	Output Bore
6	15:1 & 25:1	3-7/16" Max.



WORLDWIDE ELECTRIC CORPORATION

SHAFT MOUNT REDUCERS

DIMENSIONS



DIMENSIONS - Inches

Size	L M	N	F KEY	B Max.	C	E G	W U	X V	Q Y	H	A1 A2	A3 h	R Min. R Max.	P T
2	8.38	7.32	1.13	1-15/16"	1.25	4.06	1.06	3.68	3.59	4.56	2.14	3.75	26.94	0.44
	11.41		0.25*0.13*2.50			2.22		2.89			1.4		4.32	4.09
3	9.25	9.22	1.25	2-3/16"	1.5	4.38	1.06	4.52	4.34	5.63	2.33	4.17	26.94	0.44
	12.88		0.25*0.13*2.88			2.34		3.3			1.59		4.78	4.84
4	10.38	9.98	1.44	2-7/16"	1.75	4.81	1.75	4.79	5.57	6.13	2.76	4.79	29.19	0.5
	15.13		0.38*0.19*4.06			3.44		3.41			1.72		5.53	5.5
5	13.13	10.52	1.94	2-15/16"	1.81	5.63	1.75	5.05	5.74	6.31	3.04	5.67	29.19	0.5
	18.31		0.50*0.25*4.50			3.44		4.45			1.91		6.43	6.56
6	15.13	11.53	2.19	3-7/16"	1.81	6.13	2	5.73	6.08	6.88	4.09	6.71	29.19	0.63
	21.31		0.50*0.25*4.50			3.73		4.57			2.3		7.88	7.56